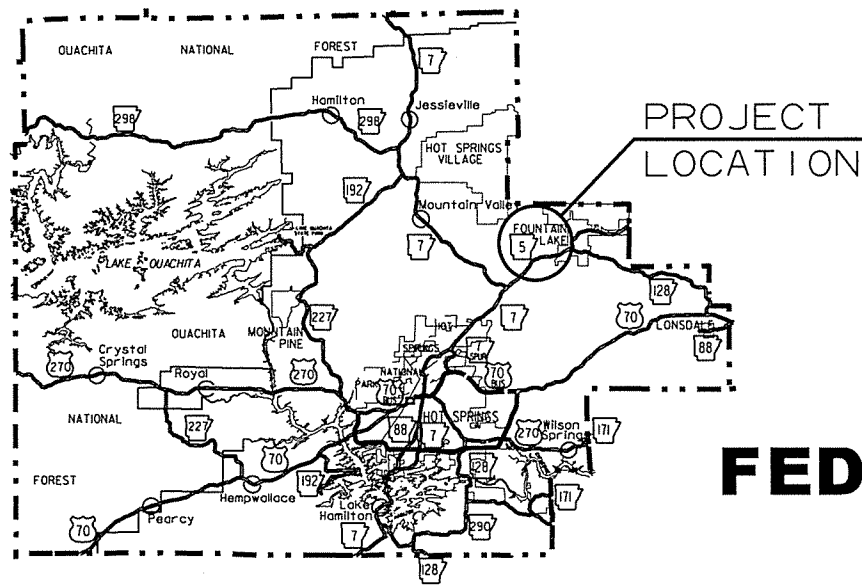


ARKANSAS STATE HIGHWAY AND TRANSPORTATION DEPARTMENT
CONSTRUCTION PLANS FOR PROPOSED COUNTY ROAD

DATE REVISED	DATE FILMED	DATE REVISED	DATE FILMED	FED. RD. DIST. NO.	STATE	FED. AID PROJ. NO.	SHEET NO.	TOTAL SHEETS
				6	ARK.	STPB-0026(29)		
				JOB NO.		BR2604	1	52
				④ LOCKETT CREEK STR. & APPRS. (S)				



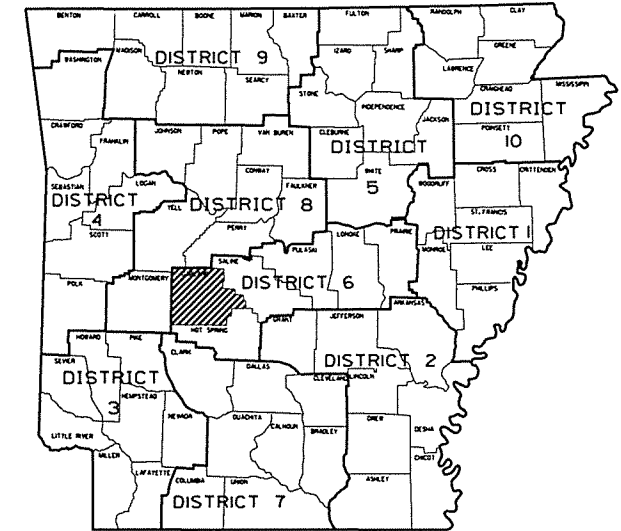
VICINITY MAP

**LOCKETT CREEK
STR. & APPRS. (S)**

COUNTY ROAD 79

GARLAND COUNTY

**FED. AID PROJ. STPB - 0026(29)
JOB BR2604**



ARK. HWY. DIST. NO. 6



DESIGN TRAFFIC DATA

DESIGN YEAR ----- 2034
2014 ADT ----- 1800
2034 ADT ----- 2300
2034 DHV ----- 345
DIRECTIONAL DISTRIBUTION ----- 0.60
TRUCKS ----- 3%
DESIGN SPEED ----- 40 MPH

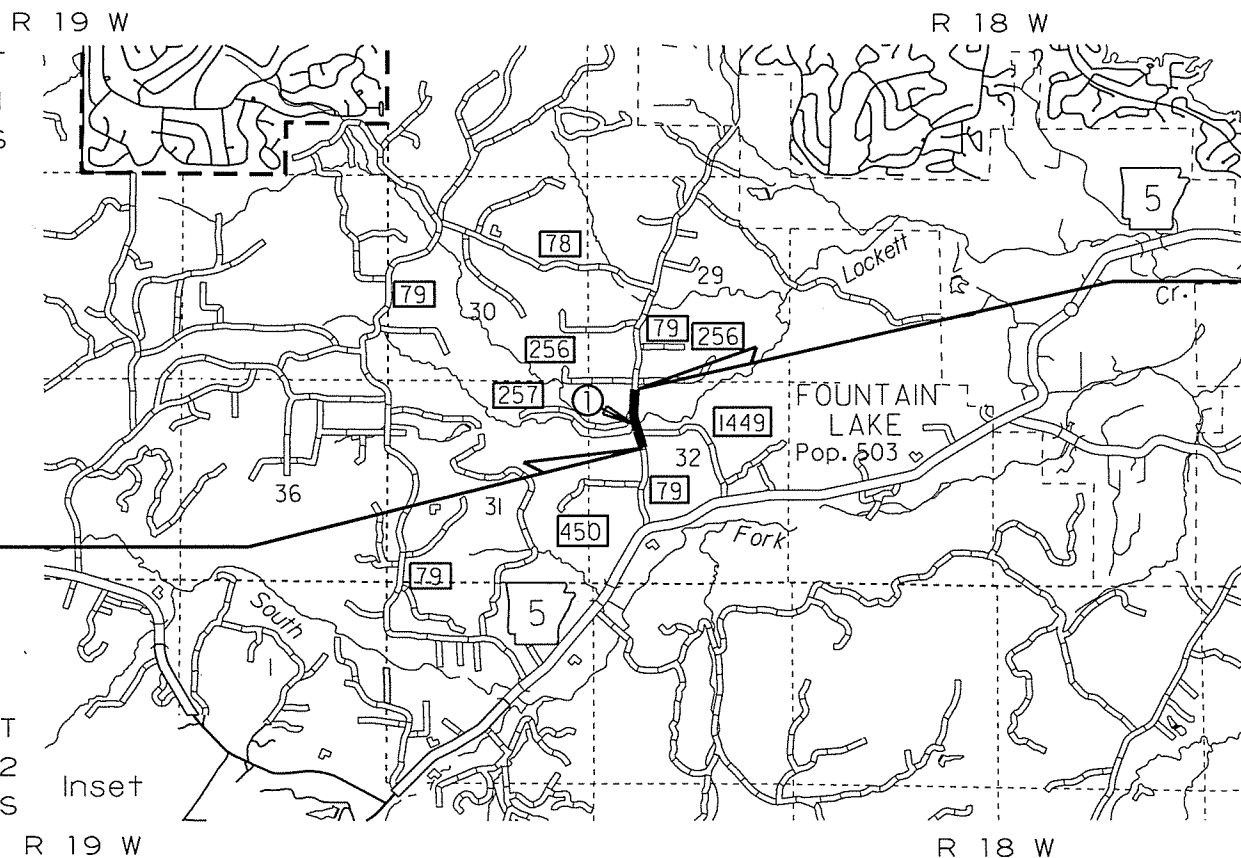
**STA. 112+50 - END JOB BR2604
FED. AID PROJ. STPB-0026(29)**

STRUCTURES OVER 20' -0" SPAN

- ① STA. 105+68
QUAD. 12' X 7' X 60'
R. C. BOX CULVERT
15° RT FWD. SKEW
SPAN = 50.00'



**STA. 100+00 - BEGIN JOB BR2604
FED. AID PROJ. STPB-0026(29)**



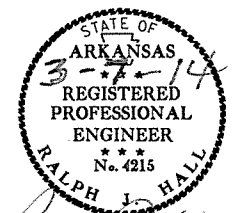
Inset
R 19 W
T 2 S

MID-POINT OF PROJECT

	BEGIN	MID-POINT	END
LAT.	N 34°36' 10.9"	N 34°36' 16.3"	N 34°36' 23.0"
LONG.	W 92°57' 33.0"	W 92°57' 34.7"	W 92°57' 35.0"

	GROSS LENGTH OF PROJECT	1250.00	FEET OR	0.237	MILES
NET	" " ROADWAY	1200.00	" "	0.227	"
NET	" " BRIDGES	50.00	" "	0.010	"
NET	" " PROJECT	1250.00	" "	0.237	"

APPROVED



Ralph J. Hall
DEPUTY DIRECTOR
AND CHIEF ENGINEER

DATE REVISED	DATE FILMED	DATE REVISED	DATE FILMED	FED. RD. DIST. NO.	STATE	FED. AID PROJ. NO.	SHEET NO.	TOTAL SHEETS
				6	ARK.			
				JOB NO.		BR2604	2	52

SHEET NO.	TITLE	DRWG. NO.	DATE
1.	TITLE SHEET		
2.	INDEX OF SHEETS, GOVERNING SPECIFICATIONS, AND GENERAL NOTES		
3. - 6.	TYPICAL SECTIONS OF IMPROVEMENT		
7.	TURNOUT AND GUARDRAIL WIDENING DETAILS		
8. - 13.	SPECIAL DETAILS		
14.	MAINTENANCE OF TRAFFIC DETAILS		
15.	TEMPORARY EROSION CONTROL DETAILS		
16. - 18.	QUANTITIES		
19.	SUMMARY OF QUANTITIES AND REVISIONS		
20.	SURVEY CONTROL DETAILS		
21.	PLAN AND PROFILE		
22.	FLARED END SECTION	FES-1	10-18-96
23.	FLARED END SECTION	FES-2	10-18-96
24.	GUARD RAIL DETAILS	GR-8	07-14-10
25.	GUARD RAIL DETAILS	GR-8A	07-14-10
26.	GUARD RAIL DETAILS	GR-9	04-17-08
27.	GUARD RAIL DETAILS	GRT-1	07-14-10
28.	MAILBOX DETAIL	MB-1	11-18-04
29.	PRECAST CONCRETE BOX CULVERT	PBC-1	12-15-11
30.	CONCRETE PIPE CULVERT FILL HEIGHTS & BEDDING	PCC-1	02-27-14
31.	METAL PIPE CULVERT FILL HEIGHTS & BEDDING	PCM-1	02-27-14
32.	PAVEMENT MARKING DETAILS	PM-1	09-12-13
33.	EXCAVATION PAY LIMITS, BACKFILL, & SOLID SODDING FOR BOX CULVERTS	RCB-2	11-20-03
34.	TABLES AND METHOD OF SUPERELEVATION FOR TWO-WAY TRAFFIC	SE-2	10-18-96
35.	STANDARD HIGHWAY SIGNS AND SUPPORT ASSEMBLIES	SHS-1	09-12-13
36.	U-CHANNEL POST ASSEMBLIES	SHS-2	02-27-14
37.	DETAILS OF SPECIAL ITEMS	SI-1	09-12-13
38.	STANDARD TRAFFIC CONTROLS FOR HIGHWAY CONSTRUCTION	TC-1	12-15-11
39.	STANDARD TRAFFIC CONTROLS FOR HIGHWAY CONSTRUCTION	TC-2	09-12-13
40.	STANDARD TRAFFIC CONTROLS FOR HIGHWAY CONSTRUCTION	TC-3	10-15-09
41.	STANDARD TRAFFIC CONTROLS FOR HIGHWAY CONSTRUCTION - TEMPORARY PRECAST BARRIER	TC-4	02-27-14
42.	STANDARD TRAFFIC CONTROLS FOR HIGHWAY CONSTRUCTION - TEMPORARY PRECAST BARRIER	TC-5	10-15-09
43.	TEMPORARY EROSION CONTROL DEVICES	TEC-1	12-15-11
44.	TEMPORARY EROSION CONTROL DEVICES	TEC-2	06-02-94
45.	TEMPORARY EROSION CONTROL DEVICES	TEC-3	11-03-94
46.	WIRE FENCE TYPE C AND D	WF-4	08-22-02
47. - 52.	CROSS SECTIONS		

④

INDEX OF SHEETS, GOVERNING SPECIFICATIONS, AND GENERAL NOTES

GOVERNING SPECIFICATIONS

ARKANSAS STATE HIGHWAY COMMISSION STANDARD SPECIFICATIONS FOR HIGHWAY CONSTRUCTION, EDITION OF 2014, AND THE FOLLOWING SPECIAL PROVISIONS AND SUPPLEMENTAL SPECIFICATIONS.

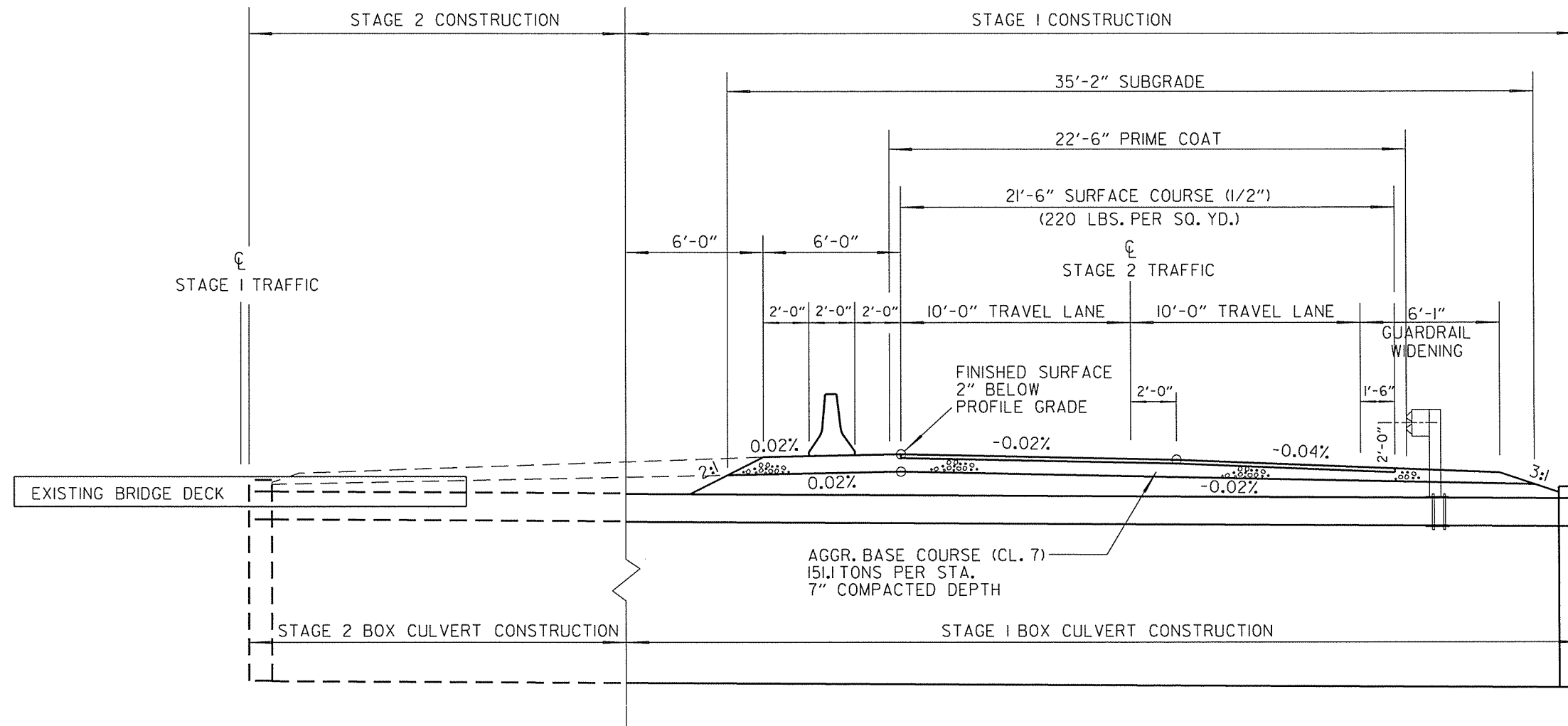
NUMBER	TITLE
ERRATA	ERRATA FOR THE BOOK OF STANDARD SPECIFICATIONS
FHWA-1273	REQUIRED CONTRACT PROVISIONS FEDERAL-AID CONSTRUCTION CONTRACTS
FHWA-1273	SUPPLEMENT - EQUAL EMPLOYMENT OPPORTUNITY - NOTICE TO CONTRACTORS
FHWA-1273	SUPPLEMENT - SPECIFIC EQUAL EMPLOYMENT OPPORTUNITY RESPONSIBILITIES (23 U.S.C. 140)
FHWA-1273	SUPPLEMENT - EQUAL EMPLOYMENT OPPORTUNITY - GOALS AND TIMETABLES
FHWA-1273	SUPPLEMENT - EQUAL EMPLOYMENT OPPORTUNITY - FEDERAL STANDARDS
FHWA-1273	SUPPLEMENT - POSTERS AND NOTICES REQUIRED FOR FEDERAL-AID PROJECTS
FHWA-1273	SUPPLEMENT - REVISIONS OF FHWA-1273 FOR OFF-SYSTEM PROJECTS
108-1	LIQUIDATED DAMAGES
410-1	CONSTRUCTION REQUIREMENTS AND ACCEPTANCE OF ASPHALT CONCRETE PLANT MIX COURSES
620-1	MULCH COVER
JOB BR2604	BROADBAND INTERNET SERVICE FOR ASPHALT CONCRETE PLANT
JOB BR2604	BROADBAND INTERNET SERVICE FOR FIELD OFFICE
JOB BR2604	CONSTRUCTION IN SPECIAL FLOOD HAZARD AREAS
JOB BR2604	DOCUMENTATION OF PAYMENTS MADE TO DISADVANTAGED BUSINESS ENTERPRISES
JOB BR2604	INTERNET BIDDING
JOB BR2604	NESTING SITES OF MIGRATORY BIRDS
JOB BR2604	RECYCLED ASPHALT SHINGLES
JOB BR2604	STORM WATER POLLUTION PREVENTION PLAN
JOB BR2604	SUBMISSION OF ASPHALT CONCRETE HOT MIX ACCEPTANCE TEST RESULTS
JOB BR2604	UTILITY ADJUSTMENTS
JOB BR2604	WARM MIX ASPHALT

GENERAL NOTES

- GRADE LINE DENOTES FINISHED GRADE WHERE SHOWN ON PLANS.
- UTILITIES INTERFERING WITH CONSTRUCTION SHALL BE MOVED BY THE OWNERS.
- ALL LAND MONUMENTS LOCATED WITHIN THE CONSTRUCTION AREA SHALL BE PROTECTED IN ACCORDANCE WITH SECTION 107.12 OF THE STANDARD SPECIFICATIONS.
- TEMPORARY EASEMENTS ARE PROVIDED FOR ACCESS TO THE EXCAVATION OF THE CHANNEL WIDENING. AREAS OUTSIDE OF THE CONSTRUCTION LIMITS OF THE CHANNEL WIDENING SHALL NOT BE CLEARED OUT.
- ALL TREES IN THE PROPOSED RIGHT-OF-WAY AND TEMPORARY CONSTRUCTION AREA THAT DO NOT INTERFERE WITH THE PROPOSED CONSTRUCTION SHALL BE SPARED AS DIRECTED BY THE ENGINEER. CARE AND DISCRETION SHALL BE USED TO INSURE THAT ALL TREES NOT TO BE REMOVED SHALL BE HARMED AS LITTLE AS POSSIBLE DURING THE CONSTRUCTION OPERATION.
- SUPERELEVATION SHALL BE COMPUTED IN ACCORDANCE WITH STD. DRWG. SE-2 USING 40 M.P.H. DESIGN VALUES AND REVOLVE ABOUT THE INNER EDGE OF TRAVEL LANE UNLESS OTHERWISE SHOWN.
- ALL SALVAGEABLE PIPE CULVERTS SHALL BE STORED ON THE RIGHT-OF-WAY AND REMAIN THE PROPERTY OF GARLAND COUNTY.
- THE CONTRACTOR SHALL BE RESPONSIBLE FOR PROVIDING A FENCE TO CONTROL LIVESTOCK IN AREAS WHERE PASTURES ARE SEVERED. WIRE FENCE MAY BE CONSTRUCTED INITIALLY, OR IN LIEU THEREOF, THE CONTRACTOR AT HIS OWN EXPENSE, MAY ELECT TO PROVIDE TEMPORARY FENCING SUITABLE TO CONTAIN LIVESTOCK.
- THE CONTRACTOR SHALL BE RESPONSIBLE FOR MAINTAINING U.S. MAILBOXES WITHIN THE PROJECT LIMITS IN SUCH A MANNER THAT THE PUBLIC MAY RECEIVE CONTINUED MAIL SERVICE. PAYMENT WILL BE CONSIDERED INCLUDED IN THE PRICE BID FOR THE VARIOUS BID ITEMS.
- THE EXISTING ROAD AND BRIDGE SHALL REMAIN OPEN TO LOCAL TRAFFIC DURING CONSTRUCTION OF THE NEW BOX CULVERT. AFTER THE NEW BOX CULVERT AND APPROACHES ARE SUBSTANTIALLY COMPLETE, THE TRAFFIC SHALL BE SHIFTED TO THE NEW ROADWAY. THE EXISTING BRIDGE SHALL BE REMOVED AND THE REMAINDER OF THE BOX CULVERT SHALL BE CONSTRUCTED. THE EXISTING ROAD SHALL THEN BE OBLITERATED.
- MISCELLANEOUS CONCRETE RUBBLE IN THE VICINITY OF THE EXISTING BRIDGE SHALL BE REMOVED BY THE CONTRACTOR. THERE WILL BE NO DIRECT PAYMENT MADE BUT COMPENSATION SHALL BE CONSIDERED INCLUDED IN THE ITEM "REMOVAL OF EXISTING BRIDGE STRUCTURE (SITE NO. 1)".
- EXISTING BRIDGE NO. 15559 SHALL BE REMOVED IN ACCORDANCE WITH SECTION 205 OF THE STANDARD SPECIFICATIONS FOR HIGHWAY CONSTRUCTION (EDITION 2014). ALL MATERIAL FROM EXISTING BRIDGE SHALL BECOME THE PROPERTY OF THE CONTRACTOR EXCEPT TWO STEEL I-BEAMS WHICH SHALL REMAIN THE PROPERTY OF GARLAND COUNTY.
- THIS PROJECT IS PERMITTED UNDER A SECTION 404 NATIONWIDE 14 PERMIT. REFER TO SECTION 110 OF THE 2014 STANDARD SPECIFICATIONS.

STATE OF ARKANSAS
 REGISTERED PROFESSIONAL ENGINEER
 No. 5368
 DAVID R. MAYO, JR.
 8/4/2014

DATE REVISED	DATE FILMED	DATE REVISED	DATE FILMED	FED. RD. DIST. NO.	STATE	FED. AID PROJ. NO.	SHEET NO.	TOTAL SHEETS
				6	ARK.			
				JOB NO.	BR2604		3	52
④ TYPICAL SECTIONS OF IMPROVEMENT								



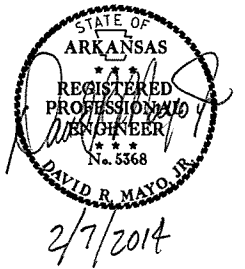
TANGENT SECTION WITH GUARDRAIL WIDENING

BEGIN GUARDRAIL WIDENING STA. 104+37
 BEGIN MAX. GUARDRAIL WIDENING STA. 104+70
 END MAX. GUARDRAIL WIDENING STA. 106+65
 END GUARDRAIL WIDENING STA. 106+98

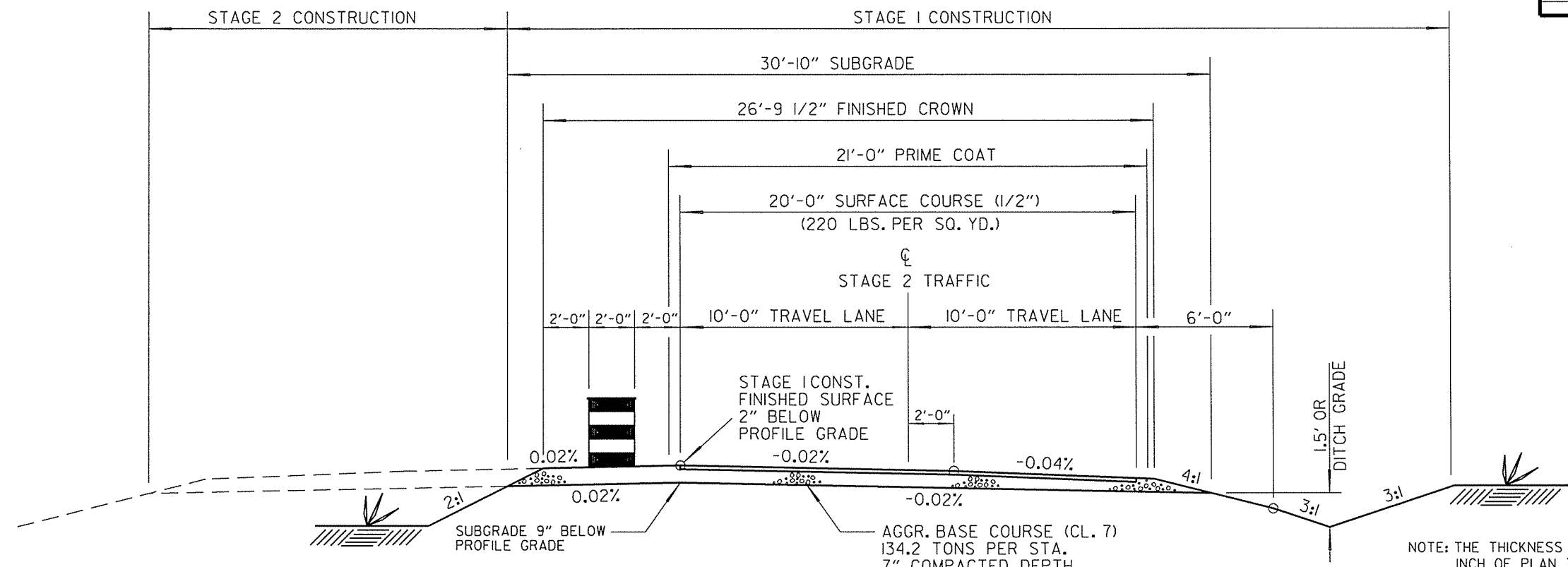
NOTE: THE THICKNESS OF BASE COURSE SHALL BE WITHIN PLUS OR MINUS ONE INCH OF PLAN THICKNESS SHOWN. THE CONTRACTOR WILL CORRECT ANY DEFICIENT THICKNESS THAT DOES NOT MEET THE TOLERANCE INDICATED. PAYMENT WILL NOT BE MADE FOR MATERIAL PLACED IN EXCESS OF THE TOLERANCE INDICATED.

NOTE: REFER TO CROSS SECTIONS FOR DEVIATION FROM THE NORMAL SLOPES. NO CHANGE SHALL BE MADE FROM THE PLANNED SLOPES WITHOUT THE APPROVAL OF THE ENGINEER.

TYPICAL SECTIONS OF IMPROVEMENT



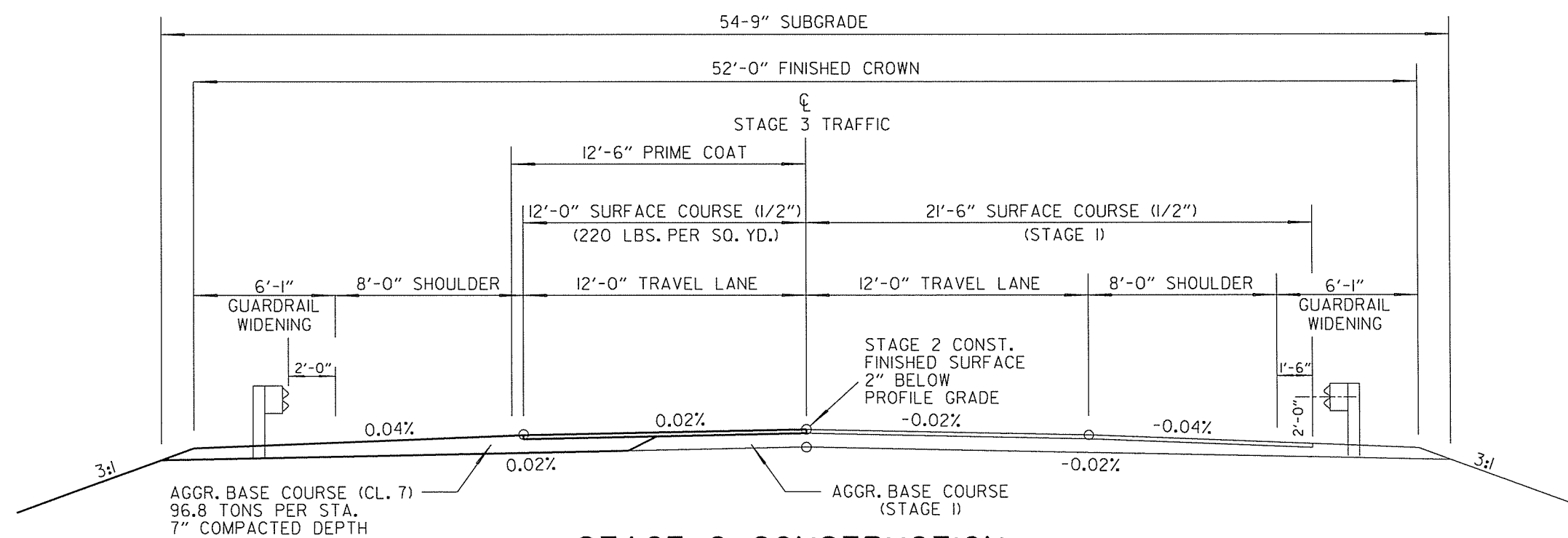
DATE REVISED	DATE FILMED	DATE REVISED	DATE FILMED	FED. RD. DIST. NO.	STATE	FED. AID PROJ. NO.	SHEET NO.	TOTAL SHEETS
				6	ARK.			
				JOB NO.	BR2604		4	52
④ TYPICAL SECTIONS OF IMPROVEMENT								



**STAGE I CONSTRUCTION
TANGENT SECTION**

NOTE: THE THICKNESS OF BASE COURSE SHALL BE WITHIN PLUS OR MINUS ONE INCH OF PLAN THICKNESS SHOWN. THE CONTRACTOR WILL CORRECT ANY DEFICIENT THICKNESS THAT DOES NOT MEET THE TOLERANCE INDICATED. PAYMENT WILL NOT BE MADE FOR MATERIAL PLACED IN EXCESS OF THE TOLERANCE INDICATED.

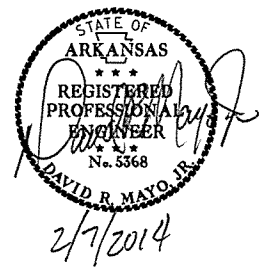
NOTE: REFER TO CROSS SECTIONS FOR DEVIATION FROM THE NORMAL SLOPES. NO CHANGE SHALL BE MADE FROM THE PLANNED SLOPES WITHOUT THE APPROVAL OF THE ENGINEER.



**STAGE 2 CONSTRUCTION
TANGENT SECTION WITH GUARDRAIL WIDENING**

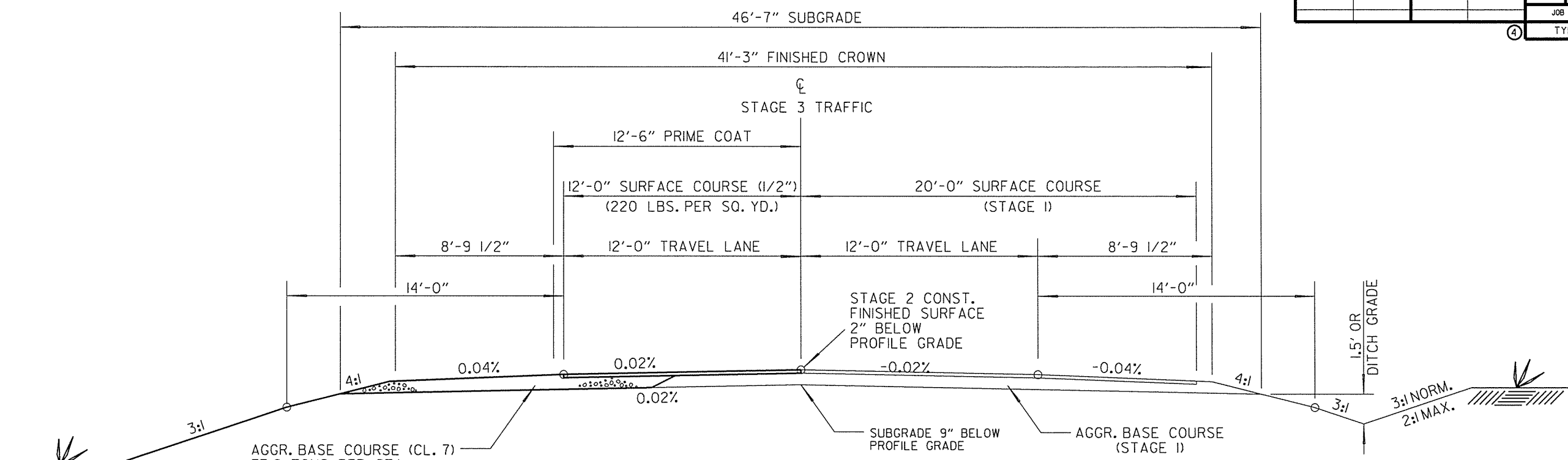
STA. 104+70 TO STA. 106+65
SECTION IN SUPER TRANSITION STA. 106+42.31 TO STA. 106+65

TYPICAL SECTIONS OF IMPROVEMENT



DATE REVISED	DATE FILMED	DATE REVISED	DATE FILMED	FED. RD. DIST. NO.	STATE	FED. AID PROJ. NO.	SHEET NO.	TOTAL SHEETS
				6	ARK.			
				JOB NO.	BR2604		5	52

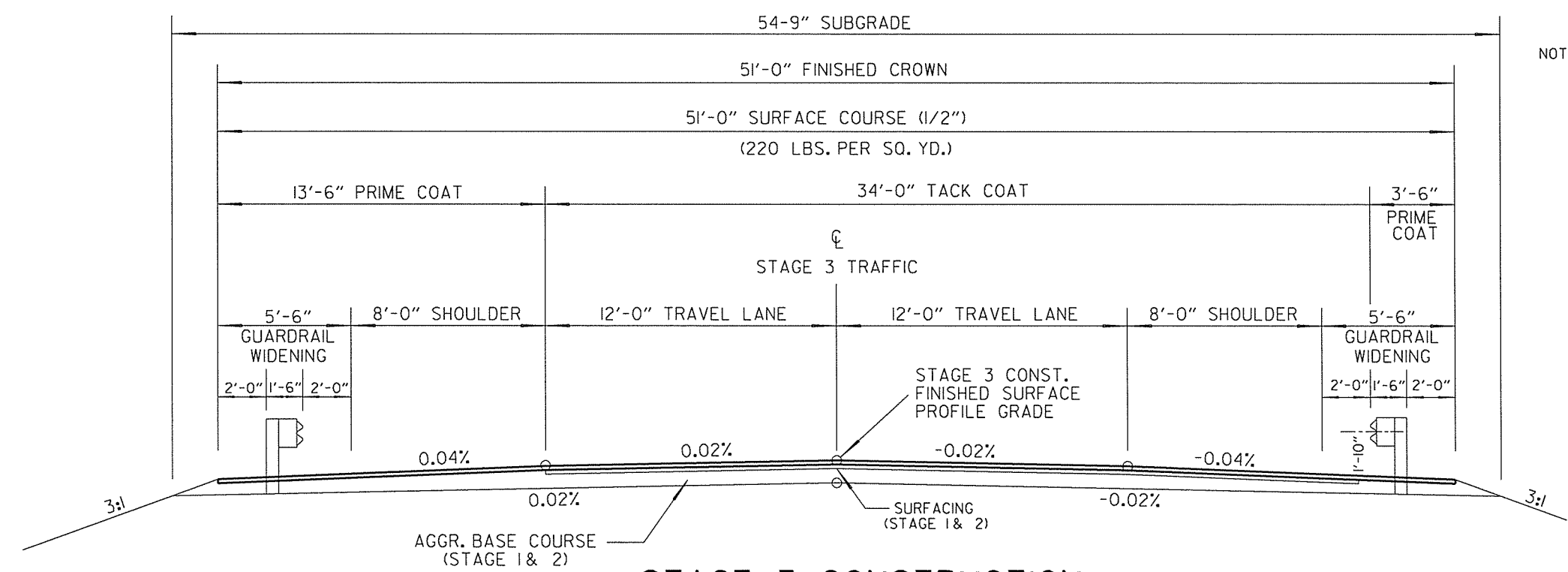
④ TYPICAL SECTIONS OF IMPROVEMENT



STAGE 2 CONSTRUCTION TANGENT SECTION

NOTE: THE THICKNESS OF BASE COURSE SHALL BE WITHIN PLUS OR MINUS ONE INCH OF PLAN THICKNESS SHOWN. THE CONTRACTOR WILL CORRECT ANY DEFICIENT THICKNESS THAT DOES NOT MEET THE TOLERANCE INDICATED. PAYMENT WILL NOT BE MADE FOR MATERIAL PLACED IN EXCESS OF THE TOLERANCE INDICATED.

NOTE: REFER TO CROSS SECTIONS FOR DEVIATION FROM THE NORMAL SLOPES. NO CHANGE SHALL BE MADE FROM THE PLANNED SLOPES WITHOUT THE APPROVAL OF THE ENGINEER.



STAGE 3 CONSTRUCTION TANGENT SECTION WITH GUARDRAIL WIDENING

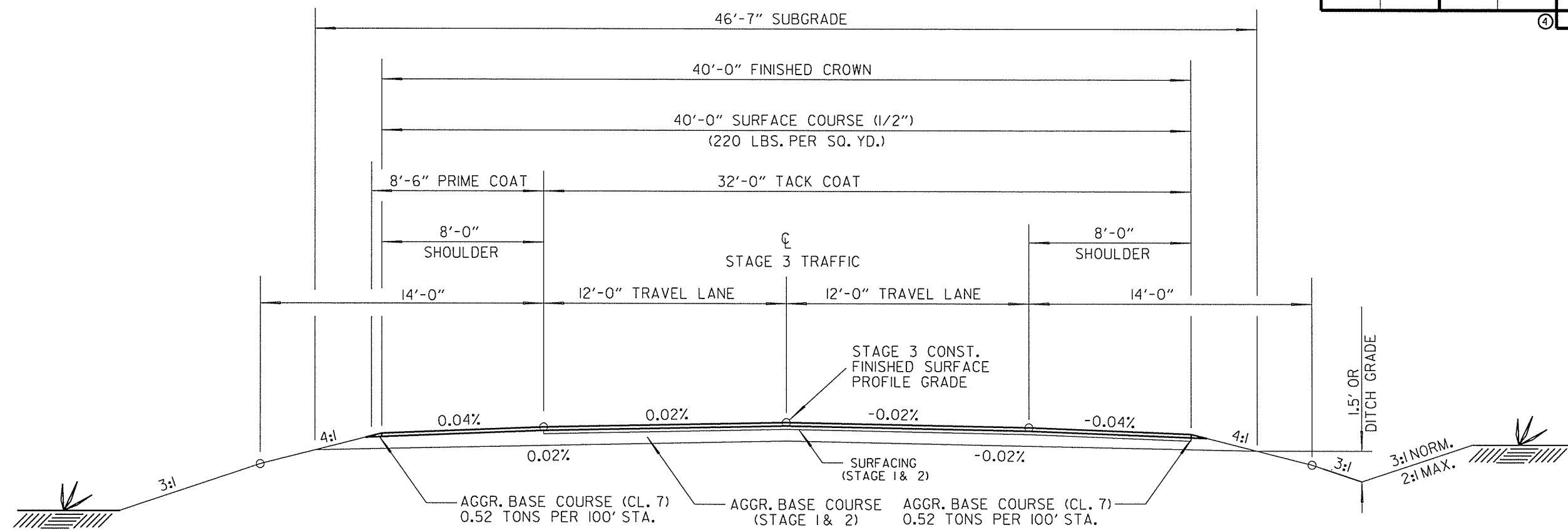
STA. 104+70 TO STA. 106+65
 SECTION IN SUPER TRANSITION STA. 106+42.31 TO STA. 106+65

TYPICAL SECTIONS OF IMPROVEMENT



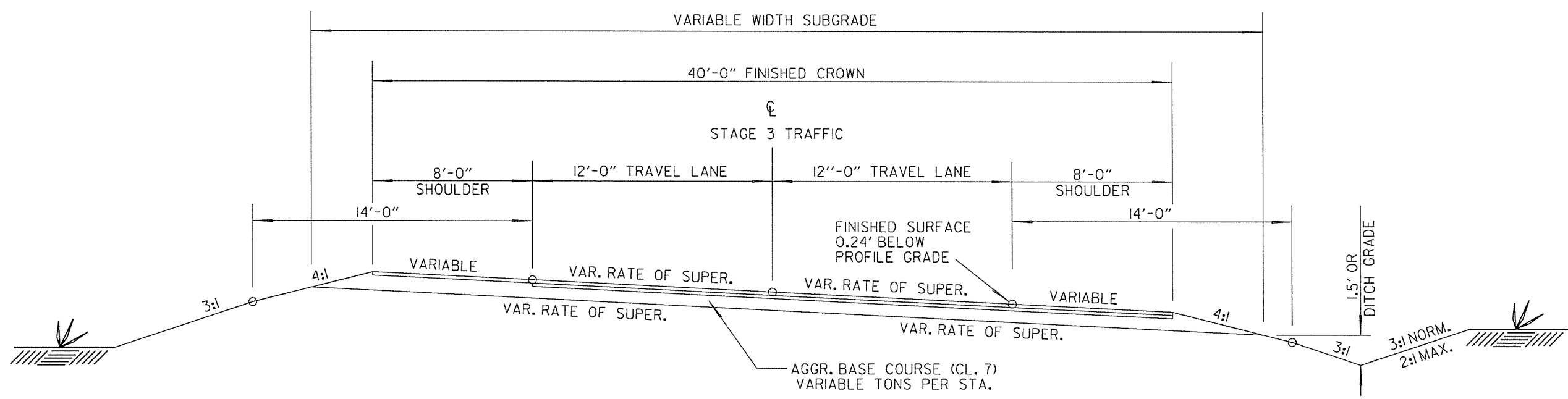
DATE REVISED	DATE FILMED	DATE REVISED	DATE FILMED	FED. RD. DIST. NO.	STATE	FED. AID PROJ. NO.	SHEET NO.	TOTAL SHEETS
				6	ARK.			
				JOB NO.	BR2604	6	52	

④ TYPICAL SECTIONS OF IMPROVEMENT



STAGE 3 CONSTRUCTION TANGENT SECTION

NOTE:
THE FINAL 2" OF SURFACE COURSE IS TO BE PLACED AFTER ALL OTHER COURSES HAVE BEEN LAID. LONGITUDINAL JOINTS SHALL BE AT LANE LINES.



SUPERELEVATION SECTION

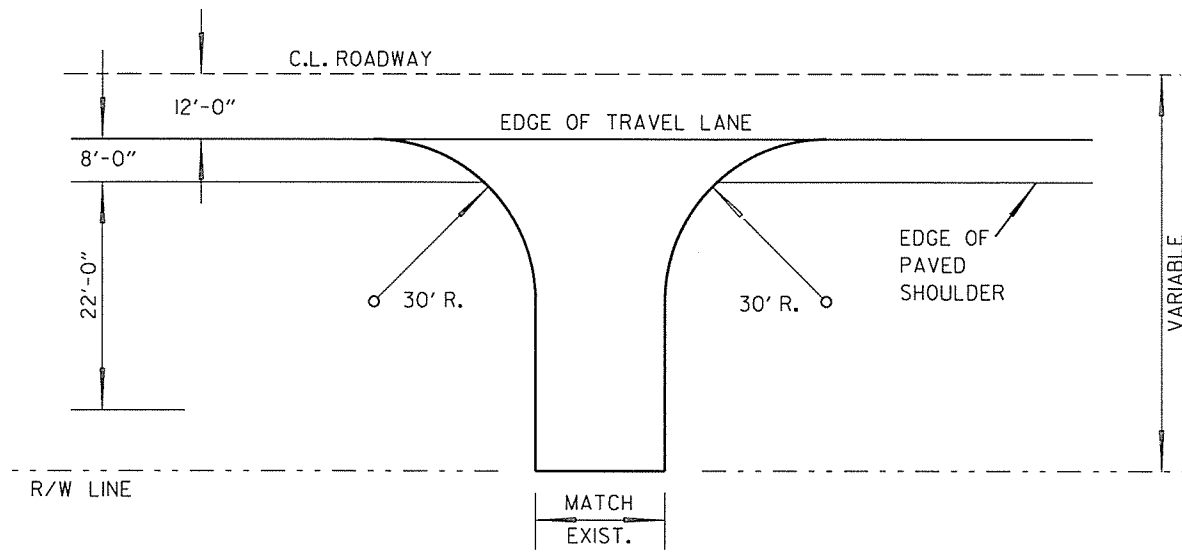
STA. 106+42.31 TO STA. 112+27.39
SEE TANGENT SECTIONS FOR STAGE CONSTRUCTION & SURFACING DETAILS

TYPICAL SECTIONS OF IMPROVEMENT

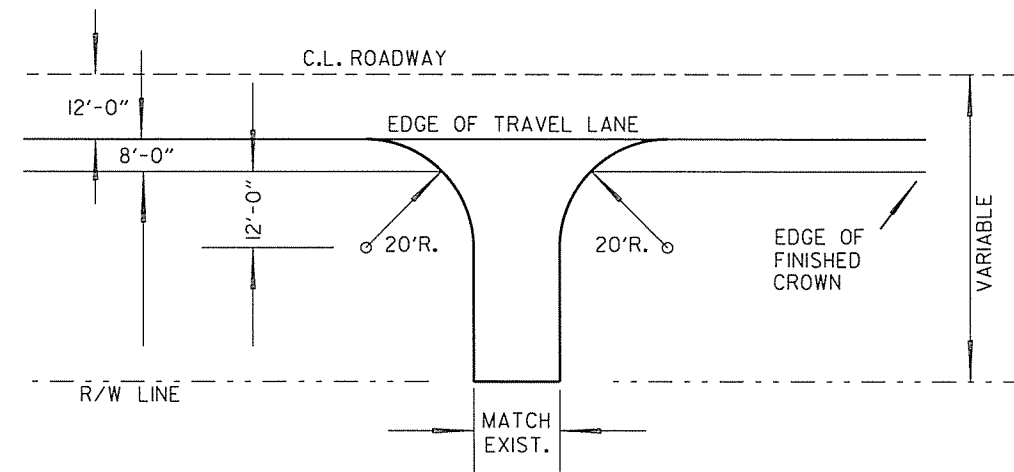


DATE REVISED	DATE FILMED	DATE REVISED	DATE FILMED	FED. RD. DIST. NO.	STATE	FED. AID PROJ. NO.	SHEET NO.	TOTAL SHEETS
				6	ARK.			
				JOB NO.	BR2604		7	52

④ TURNOUT AND GUARDRAIL WIDENING DETAILS

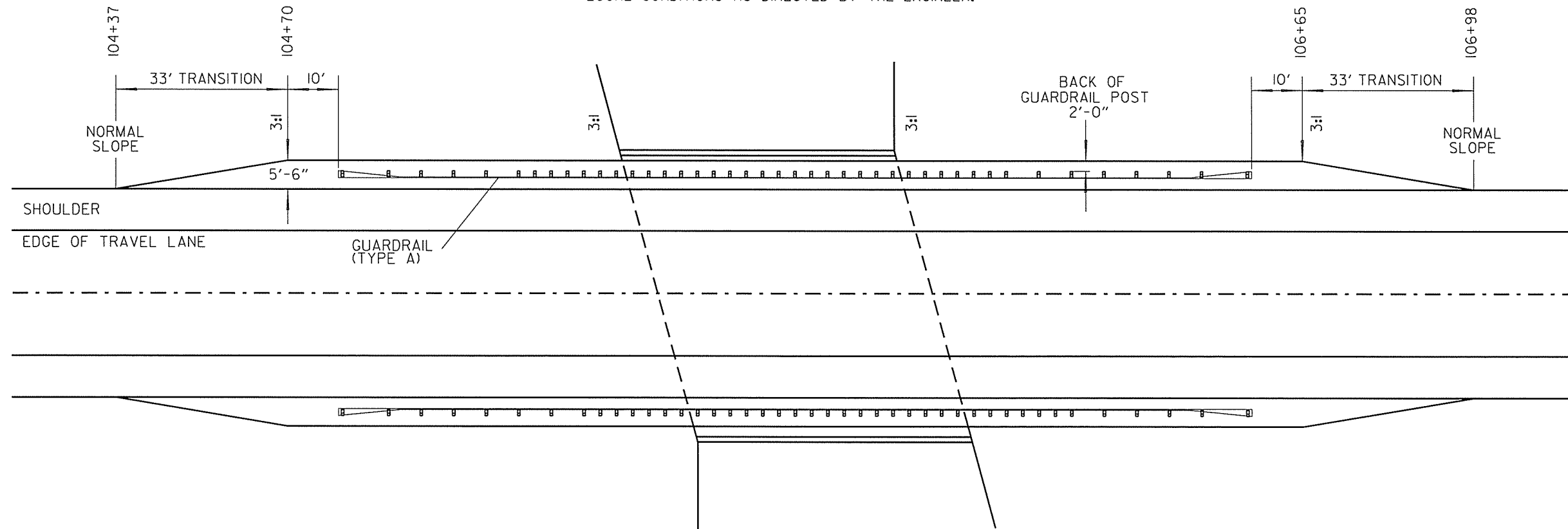


DETAIL OF COUNTY ROAD TURNOUTS



DETAIL OF PRIVATE ENTRANCES

NOTE:
THE ABOVE DETAILS MAY BE MODIFIED TO MEET
LOCAL CONDITIONS AS DIRECTED BY THE ENGINEER.



GUARDRAIL WIDENING DETAILS

TURNOUT AND GUARDRAIL WIDENING DETAILS



3/4/2014

MID-SECTION

R.C. BOX SECTION		DESIGN FILL DEPTH (FT.)		CLEAR SPAN (FT.)		CLEAR HEIGHT (FT.)		TOP SLAB THK.		BOTTOM SLAB THK.		SIDE WALL THK.		INTERIOR WALL THK.		OVER ALL WIDTH		OVER ALL HEIGHT		SECTION LENGTH (FT.)		TOP SLAB REINFORCING STEEL				BOTTOM SLAB REINFORCING STEEL				SIDE WALL REINFORCING STEEL "f0"		INTERIOR WALL REINFORCING STEEL "f1"		TOP SLAB DISTRIBUTION REINF. STEEL "g"		BOTTOM SLAB DISTRIBUTION REINF. STEEL "e"		SIDE WALL DISTRIBUTION REINF. STEEL "d1"		INTERIOR WALL DISTRIBUTION REINF. STEEL "d2"						
D	S	H	T	B	C	W	OW	OH	SL	a	Bent b	c	SPACING	NO. REQ'D	d	Bent b1	f	SPACING	NO. REQ'D	SIZE	SPACING	NO. REQ'D	LENGTH	SIZE	SPACING	NO. REQ'D	LENGTH	SIZE	SPACING	NO. REQ'D	LENGTH	SIZE	SPACING	NO. REQ'D	LENGTH	SIZE	SPACING	NO. REQ'D	LENGTH	SIZE	SPACING	NO. REQ'D	LENGTH			
A	2	12	7	14.5	14.5	6.5	8	51'-1"	9'-5"	42.33	4	50'-9"	8	52'-2"	6	50'-9"	9	56	4	50'-9"	4	52'-1"	4	50'-9"	14	36	5	5.5	184	9'-1"	4	12	252	9'-1"	4	7.5	167	4	7.5	167	4	12	14	4	12	42

INLET SLOPE SECTIONS(S)

R.C. BOX SECTION		DESIGN FILL DEPTH (FT.)		CLEAR SPAN (FT.)		CLEAR HEIGHT (FT.)		TOP SLAB THK.		BOTTOM SLAB THK.		SIDE WALL THK.		INTERIOR WALL THK.		OVER ALL WIDTH		OVER ALL HEIGHT		SECTION LENGTH (FT.)		TOP SLAB REINFORCING STEEL				BOTTOM SLAB REINFORCING STEEL				SIDE WALL REINFORCING STEEL "f0"		INTERIOR WALL REINFORCING STEEL "f1"		TOP SLAB DISTRIBUTION REINF. STEEL "g"		BOTTOM SLAB DISTRIBUTION REINF. STEEL "e"		SIDE WALL DISTRIBUTION REINF. STEEL "d1"		INTERIOR WALL DISTRIBUTION REINF. STEEL "d2"					
D	S	H	T	B	C	W	OW	OH	SL	a	Bent b	c	SPACING	NO. REQ'D	d	Bent b1	f	SPACING	NO. REQ'D	SIZE	SPACING	NO. REQ'D	LENGTH	SIZE	SPACING	NO. REQ'D	LENGTH	SIZE	SPACING	NO. REQ'D	LENGTH	SIZE	SPACING	NO. REQ'D	LENGTH	SIZE	SPACING	NO. REQ'D	LENGTH	SIZE	SPACING	NO. REQ'D	LENGTH		

INLET SKEWED END SECTION

SK	SLOPE	DESIGN FILL DEPTH (FT.)	CLEAR SPAN (FT.)	CLEAR HEIGHT (FT.)	SECTION LENGTH	TOP SLAB THK.	HDWL THK.	BOTTOM SLAB THK.	SIDE WALL THK.	INTERIOR WALL THK.	OVER ALL WIDTH	OVER ALL HEIGHT	TOP SLAB REINFORCING STEEL				BOTTOM SLAB REINFORCING STEEL				SIDE WALL REINFORCING STEEL		INTERIOR WALL REINFORCING STEEL		TOP SLAB DISTRIBUTION REINFORCING STEEL		BOTTOM SLAB DISTRIBUTION REINFORCING STEEL		SIDE WALL DISTRIBUTION REINFORCING STEEL		INTERIOR WALL DISTRIBUTION REINFORCING STEEL																		
													SIZE	SPACING	LENGTHS VARY	NO. REQ'D	SIZE	SPACING	LENGTHS VARY	NO. REQ'D	SIZE	SPACING	NO. REQ'D	LENGTH	SIZE	SPACING	NO. REQ'D	LENGTH	SIZE	SPACING	NO. REQ'D	LENGTH	SIZE	SPACING	NO. REQ'D	LENGTH	SIZE	SPACING	NO. REQ'D	LENGTH	SIZE	SPACING	NO. REQ'D	LENGTH					
15	3:1	2	12	7	8'-10"	14.5	3	14.5	6.5	8	51'-1"	9'-5"	6	8	Max 50'-9" Min 5'-11"	19	7	4.5	Max 50'-9" Min 5'-11"	33	4	7	Max 50'-9" Min 5'-11"	4	8	Max 50'-9" Min 5'-11"	19	5	5.5	40	9'-1"	4	12	60	9'-1"	4	7.5	167	4	7.5	167	4	12	7	LONG 15'-5" SHORT 1'-11"	4	12	14	LONG 12'-1" MID 8'-8" SHORT 5'-3"

INLET WINGWALL TABLE

OVER ALL WIDTH	CLEAR HEIGHT	FOOTING THK.	WING WALL THK.	BOX SKEW (DEG.)	SLOPE	HDWL LENGTH	HEEL	WALL HEIGHT		WINGWALL ANGLE (DEGREE)	FOOTING WIDTH AT WALL END	WIDTH OF WING FOOTINGS AT HDWL		FOOTING DIMENSION PARALLEL WITH HDWL		LENGTH OF WINGWALLS		LENGTH OF FOOTING HEEL		CLASS "S" CONCRETE (Includes apron)	REINFORCING STEEL (Includes apron and laps if required)	
								AT HDWL	AT WING END			WING A	WING B	WING A	WING B	WING A	WING B	WING A	WING B			
OW	H	WB	CW	SK	SL	K	HL	WH1	WH2	AF1	AF2	WE	WF1	WF2	G1	G2	W1	W2	W3	W4	CU.YD	LBS.
51'-1"	7'-0"	0'-9"	0'-8"	15	3:1	51'-8 1/8"	2'-0"	7'-10"	2'-4"	0	15	3'-2"	3'-5 3/4"	3'-7 3/4"	0'-9 3/4"	0'-8 7/8"	16'-6"	17'-0"	24'-2 3/8"	16'-10 1/8"	11.47	930

MID-SECTION BAR LAP TABLE

# of Long. Laps Req'd.	SL = Section Length
0	< 40.0 ft
1	>40.0 ft - 78.0 ft
2	>78.0 ft - 116.0 ft
3	>116.0 ft - 154.0 ft
4	>154.0 ft - 192.0 ft
5	>192.0 ft - 230.0 ft
6	>230.0 ft - 268.0 ft
7	>268.0 ft - 306.0 ft
8	>306.0 ft - 344.0 ft

Min. Bar Lap Length

#4	1'-9"
#5	2'-2"
#6	2'-7"
#7	3'-6"
#8	4'-7"

Bar Pin Dia. Table

#4	3"
#5	3 3/4"
#6	4 1/2"
#7	5 1/4"
#8	6"

TABULAR DATA BY: CSG DATE: 02/13/2014
 CHECKED BY: CMW DATE: 2/18/14



This drawing to be used in conjunction with SHEET 1 OF 4, "GENERAL DETAILS OF R.C. BOX CULVERT", "GENERAL NOTES & LONGITUDINAL SECTION LENGTH SCHEDULE", SHEET 3 OF 4, "GENERAL DETAILS OF R.C. BOX CULVERT", "DETAILS OF MULTI-BARREL R.C. BOX CULVERT", SHEET 4 OF 4, "GENERAL DETAILS OF R.C. BOX CULVERT", "DETAILS OF WINGWALLS", and STANDARD DRAWING RCB-2.
 For additional information and outlet sections, see Sheet 2 of 2.

CLASS "S" CONCRETE (includes HDWL)	REINFORCING STEEL (GR 60) (includes HDWL)
CU. YDS.	LBS.
48.57	8077

Any Bar Lap Required for the Skewed End Section shall be considered subsidiary to the item "Reinforcing Steel - Roadway (Gr. 60)."

CLASS "S" CONCRETE	REINFORCING STEEL (GR. 60)	ADTL. REINF. PER LONG. LAP LOCATION (S)	ADTL. REINF. FOR TRANS. LAP	ADDITIONAL CONCRETE FOR HDWL	TOTAL ADTL. REINF. FOR HDWL
CU. YDS. PER LIN. FT.	LBS. PER LIN. FT.	LBS.	LBS. PER LIN. FT.	CU. YDS.	LBS.
5.37	759	456	26		

Bar Lap - Add one long lap for each Slope Section, and one additional long lap for Slope Sections greater than 40'-0" in length.

Design Fill Depth	Range of Actual Fill Depth
2	0.0 ft - 2.0 ft
5	>2.0 ft - 5.0 ft
10	>5.0 ft - 10.0 ft
15	>10.0 ft - 15.0 ft
20	>15.0 ft - 20.0 ft
25	>20.0 ft - 25.0 ft
30	>25.0 ft - 30.0 ft
35	>30.0 ft - 35.0 ft
40	>35.0 ft - 40.0 ft

Data shown for Mid-Section, Slope Section(s), and Skewed End Section is based on the design fill depth shown in the table, see PLAN AND PROFILE SHEETS for actual fill depth.

SHEET 1 OF 2
 DETAILS OF R.C. BOX CULVERT
 QUADRUPLE BARREL BOX CULVERT
 Sta. 105+68

SPECIAL DETAILS

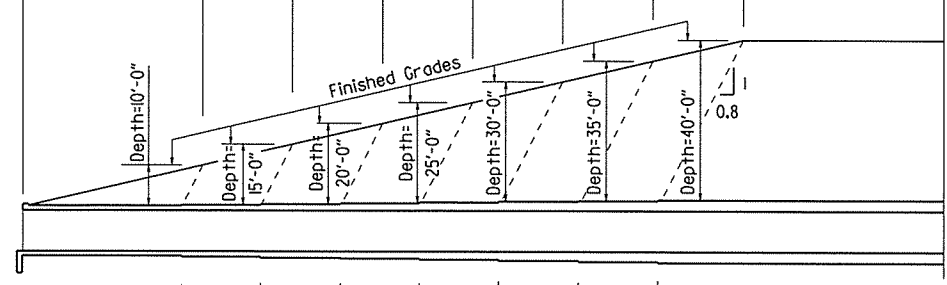


DATE REVISED	DATE FILMED	DATE REVISED	DATE FILMED	FED. ROAD DIST. NO.	STATE	FED. AID PROJ. NO.	SHEET NO.	TOTAL SHEETS
				6	ARK.			
						JOB NO.	BR2604	10
						SPECIAL DETAILS		

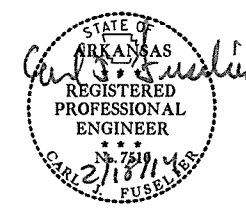
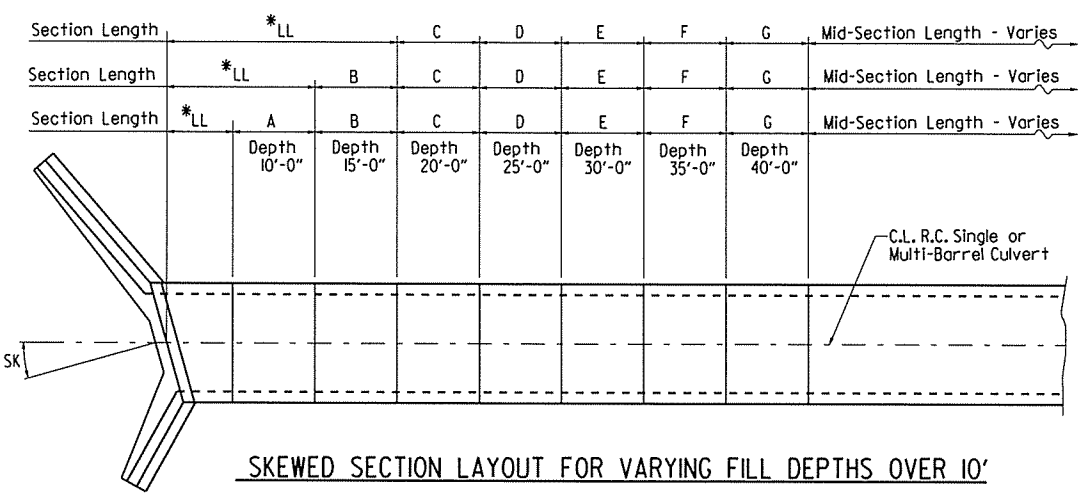
2:1 Slope	20'-0"	10'-0"	10'-0"	10'-0"	10'-0"	10'-0"	10'-0"
3:1 Slope	30'-0"	15'-0"	15'-0"	15'-0"	15'-0"	15'-0"	15'-0"
4:1 Slope	40'-0"	20'-0"	20'-0"	20'-0"	20'-0"	20'-0"	20'-0"

Note: For fill depths 10' and under, use Mid-Section full length of box culvert.

*LL = Skewed End Section Length - See "Skewed End Section Details" Length LL varies with skew angle, overall box width and fill depth and may eliminate the need for some slope section lengths as shown.



Slope Section Length @ 2:1 Slope	A=12'-0"	B=6'-0"	C=6'-0"	D=6'-0"	E=6'-0"	F=6'-0"	G=6'-0"	Mid-Section Length - Varies
Slope Section Length @ 3:1 Slope	A=22'-0"	B=11'-0"	C=11'-0"	D=11'-0"	E=11'-0"	F=11'-0"	G=11'-0"	Mid-Section Length - Varies
Slope Section Length @ 4:1 Slope	A=32'-0"	B=16'-0"	C=16'-0"	D=16'-0"	E=16'-0"	F=16'-0"	G=16'-0"	Mid-Section Length - Varies



LONGITUDINAL SECTION LENGTH SCHEDULE FOR VARYING FILL DEPTHS OVER 10'

Lengths for Non-Skewed Boxes

SKewed SECTION LAYOUT FOR VARYING FILL DEPTHS OVER 10'

GENERAL NOTES:

CONSTRUCTION SPECIFICATIONS: Arkansas State Highway and Transportation Department Standard Specifications for Highway Construction (2014 edition) with applicable Supplemental Specifications and Special Provisions. Section and Subsection refer to the Standard Construction Specifications unless otherwise noted in the Plans.

DESIGN SPECIFICATIONS: AASHTO LRFD Bridge Design Specifications, Fifth Edition (2010) with 2010 interim revisions.

LIVE LOADING: HL-93

All concrete shall be Class 5 with a minimum 28-day compressive strength of 3,500 psi and shall be poured in the dry. All exposed corners to have 3/4" chamfers.

Reinforcing Steel shall be Grade 60 (yield strength = 60,000 psi) conforming to AASHTO M31 or M322, Type A, with mill test reports.

Reinforcing Steel Tolerances: The tolerances for reinforcing steel shall meet those listed in 'Manual of Standard Practice' published by Concrete Reinforcing Steel Institute (CRSI) except that the tolerance for truss bars such as Figure 3 on page 7-4 of the CRSI Manual shall be minus zero to plus 1/2 inch.

Excavation and backfilling shall be in accordance with the requirements of Section 801.

Membrane Waterproofing shall conform to the requirements of Section 815. Membrane Waterproofing shall be Type C and as directed by the Engineer applied to all construction joints in the top slab and the sidewalls of R.C. Box culverts and to the construction joint between wingwalls and R.C. Box culvert walls.

Weep Holes in box culvert walls shall have a maximum horizontal spacing of 10'-0" and shall be spaced to clear all reinforcing steel. The drain opening shall be 4" diameter and shall be placed 12" above the top of the bottom slab.

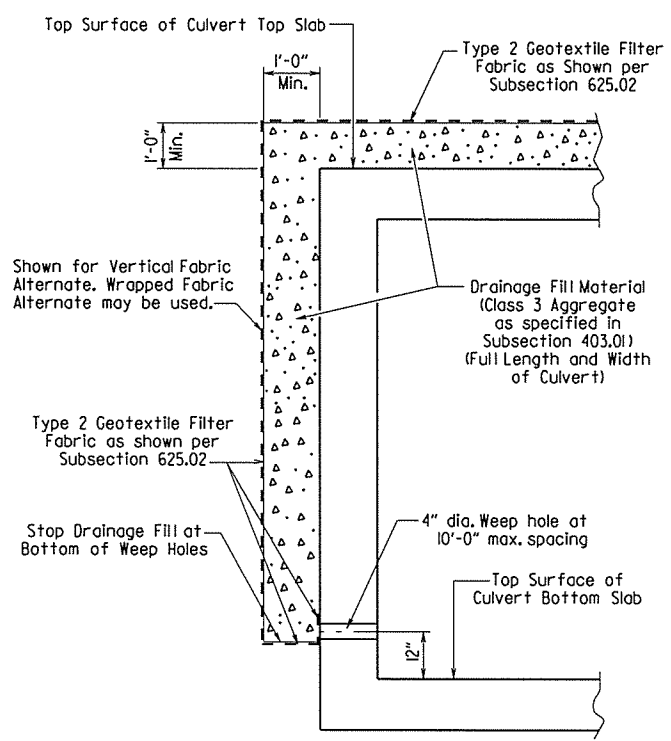
Weep Holes in wingwalls shall have a maximum horizontal spacing of 10'-0" and shall be spaced to clear all reinforcing steel. There shall be a minimum of two (2) weep holes in each wingwall. The drain opening shall be 4" diameter and shall be placed 12" above the top of the wingwall footing.

The barrel components of the culvert may be constructed using continuous pours. For longer culvert construction, the Contractor may use multiple pours with transverse construction joints spaced a minimum of 50 feet apart unless superseded by stage construction or site constraints as approved by the Engineer. Construction joints between footings and walls shall be made only where shown in the Plans. Joints shall be normal to the centerline of barrel and shall be keyed. Longitudinal reinforcing shall be continuous through joints unless shown otherwise. All longitudinal construction joints shall be submitted to the Engineer for approval.

Membrane Waterproofing, Weep Holes, Geotextile Filter Fabric, and Drainage Fill Material will not be paid for directly but shall be considered subsidiary to Class 5 Concrete.

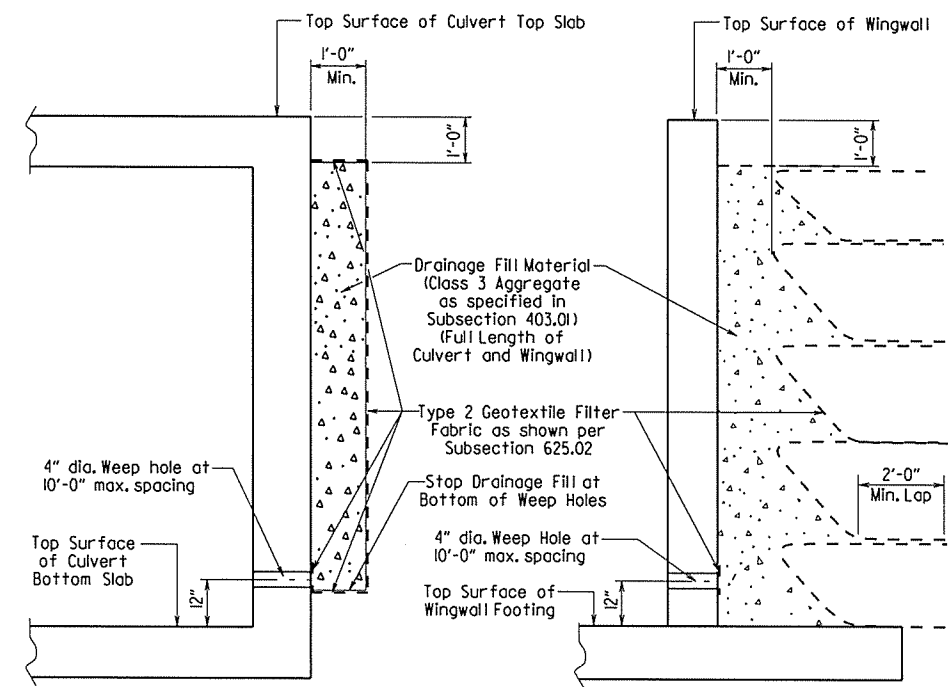
When the top slab of the box culvert serves as finished roadway surface, curing and finishing shall be in accordance with subsections 802.17 and 802.20 for bridge roadway surface and a tine finish shall be applied in accordance with subsection 802.19 for Class 5 Tined Bridge Roadway Surface Finish. Curing and finishing shall not be paid for directly, but shall be considered incidental to the item "Class 5 Concrete-Roadway". Class 1 Protective Surface Treatment shall be applied to the roadway surface and this work shall be paid for under the unit price bid for "Class 1 Protective Surface Treatment".

When precast reinforced concrete box culverts are substituted for cast in place box culverts, they shall be manufactured according to ASTM C 1577 and meet the requirements of Section 607. When the top slab of the box culvert serves as the finished roadway surface, a precast reinforced concrete box culvert substitution is not allowed.



CULVERT DRAINAGE DETAIL FOR ROCK FILL

This detail shall be used when rock fill is specified for embankment construction.



VERTICAL FABRIC ALTERNATE

(Shown for Culvert, Similar for Wingwall)

WRAPPED FABRIC ALTERNATE

(Shown for Wingwall, Similar for Culvert)

For Details of Excavation and Pay Limits, see Standard Drawing RCB-2.

WINGWALL & CULVERT DRAINAGE DETAIL

SHEET 1 OF 4
GENERAL DETAILS OF R.C. BOX CULVERT
GENERAL NOTES &
LONGITUDINAL SECTION LENGTH SCHEDULE
SPECIAL DETAILS



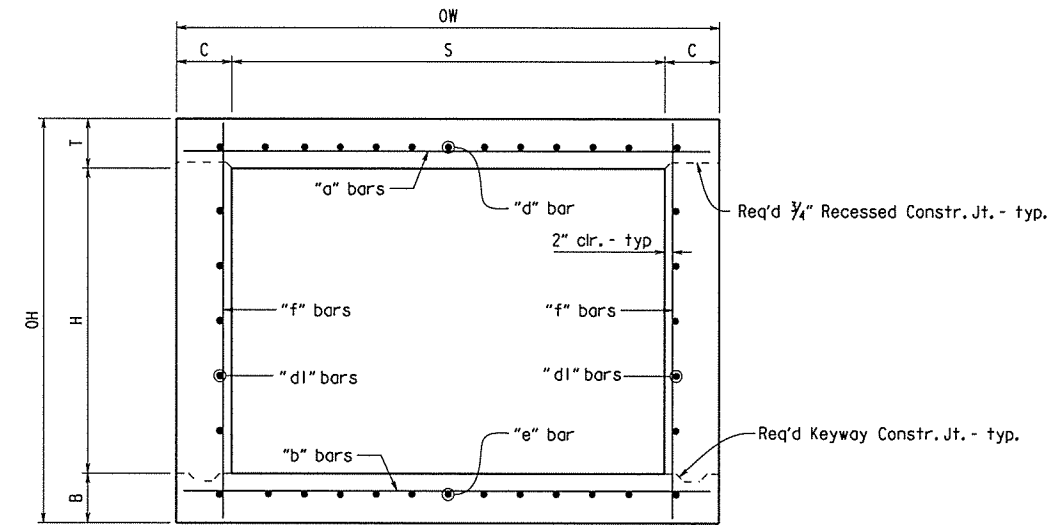
V L114 bbr2604_culvert.dgn

DATE REVISED	DATE FILMED	DATE REVISED	DATE FILMED	FED. ROAD DIST. NO.	STATE	FED. AID PROJ. NO.	SHEET NO.	TOTAL SHEETS
				6	ARK.			
						JOB NO.	BR2604	11 52

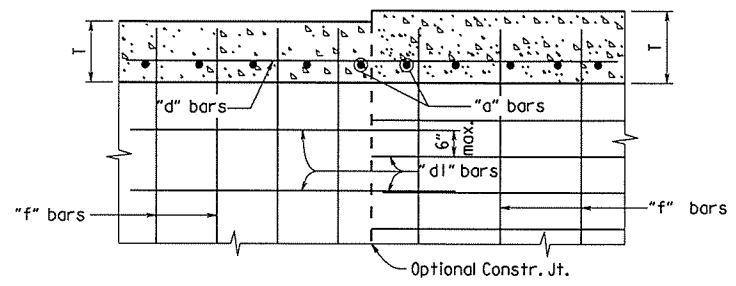
① SPECIAL DETAILS



Note: When top slab of culvert serves as finished roadway surface, see General Notes on Sheet 1 of 4.

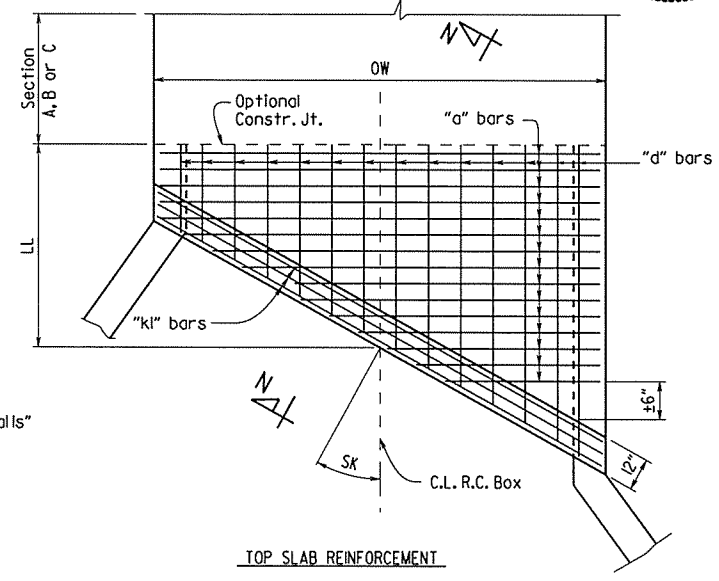


TYPICAL SECTION M-M

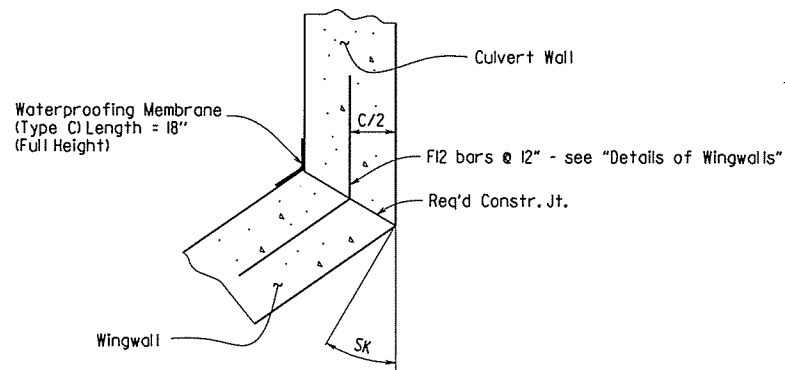


LONGITUDINAL LAP DETAIL AT CHANGE IN SECTIONS

TOP SLAB SHOWN, BOTTOM SLAB SIMILAR

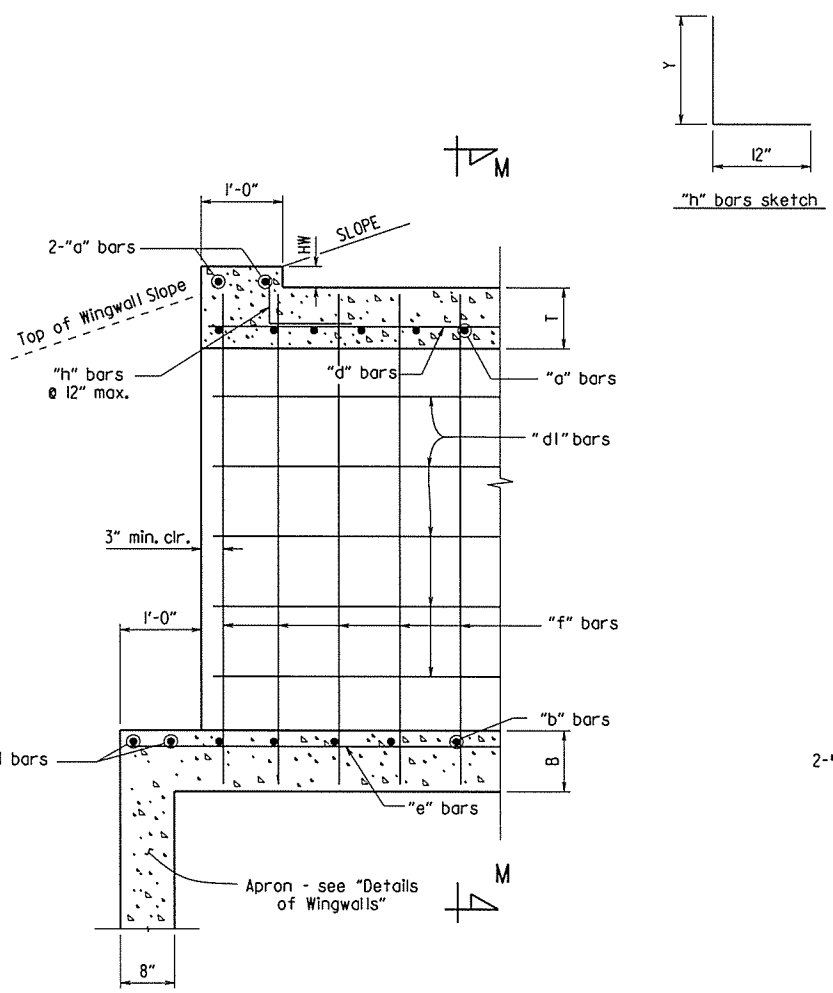


TOP SLAB REINFORCEMENT



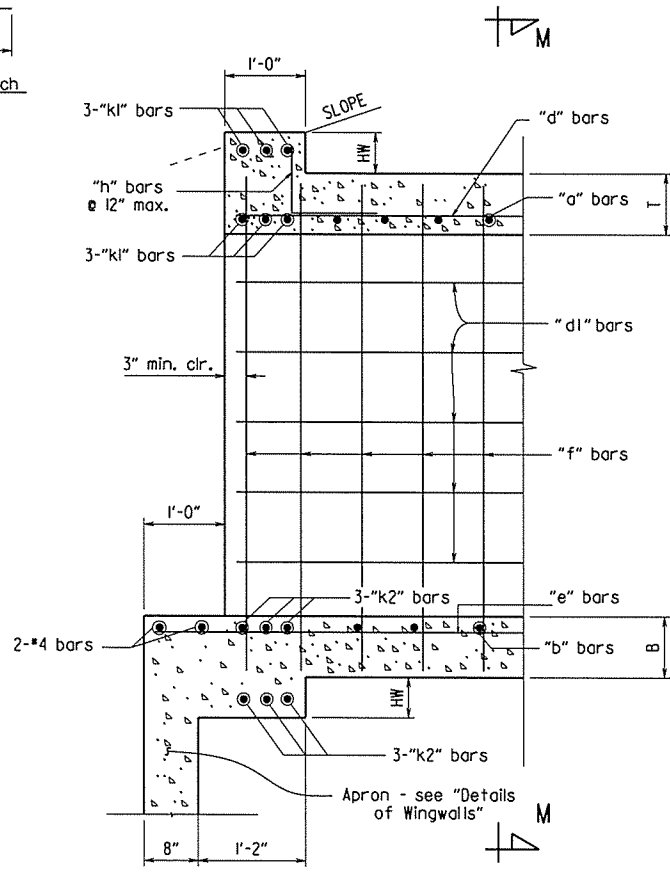
WINGWALL ATTACHMENT

See "Details of Wingwalls" for additional information and wingwall details.



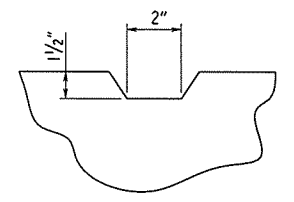
PART LONGITUDINAL SECTION

(Non-Skewed Ends)



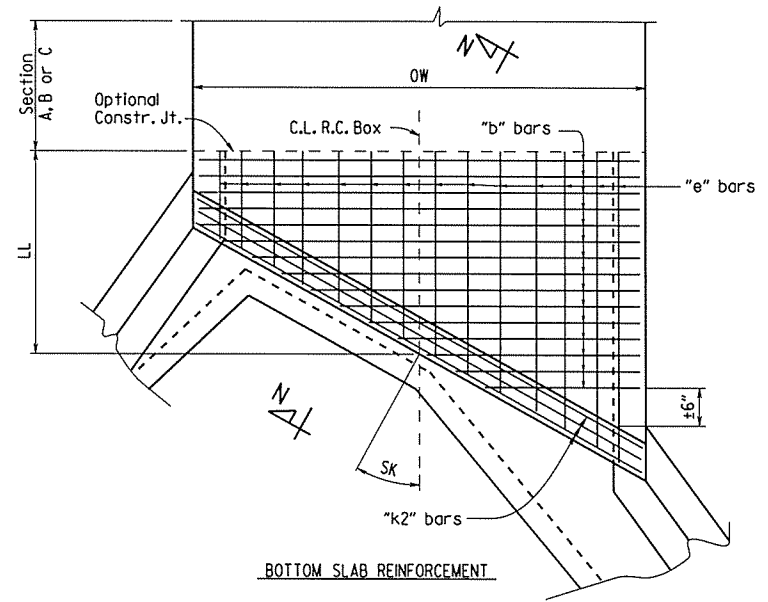
PART LONGITUDINAL SECTION N-N

(Skewed Ends)



TYPICAL KEYWAY DETAIL

(All Construction Joints)



BOTTOM SLAB REINFORCEMENT

SKewed END SECTION DETAILS

SHEET 2 OF 4
GENERAL DETAILS OF R.C. BOX CULVERT
DETAILS OF SINGLE BARREL
R.C. BOX CULVERT

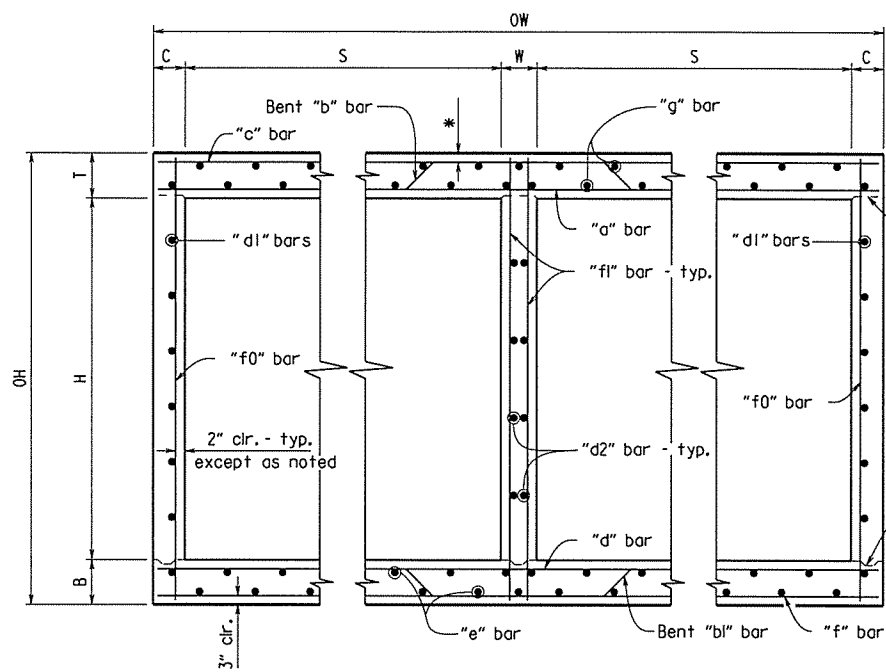
SPECIAL DETAILS



bbr2604_culvert.dgn

*2" clr. for fill depth (D) greater than 2 ft.
 2 1/2" clr. for fill depth (D) equal to or less than 2 ft.

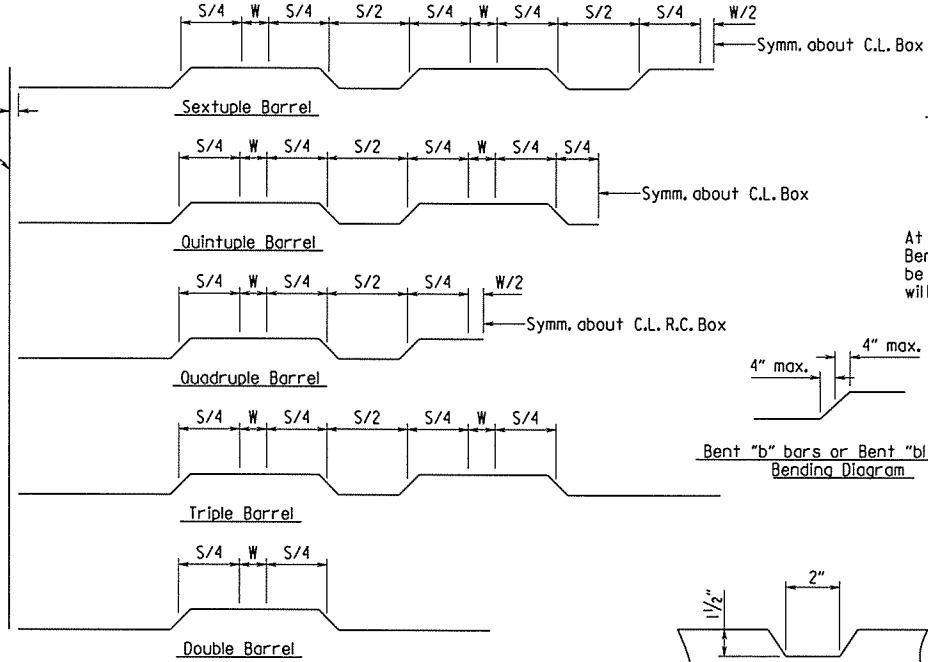
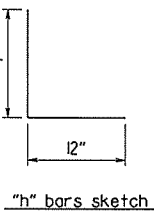
Note: When top slab of culvert serves as finished roadway surface, see General Notes on Sheet 1 of 4.



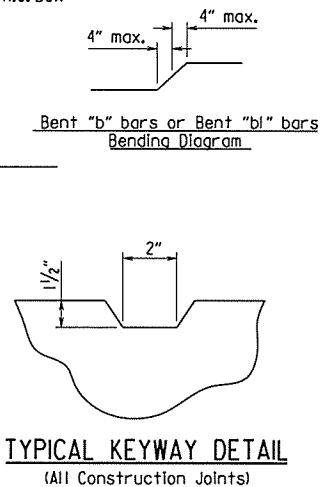
TYPICAL SECTION M-M

Top Slab
 Straight "c" bars shall alternate with Bent "b" bars in top.
 Straight "a" bars shall alternate with Bent "b" bars in bottom.

Bottom Slab
 Straight "d" bars shall alternate with Bent "bl" bars in top.
 Straight "f" bars shall alternate with Bent "bl" bars in bottom.



Bent "b" bars or Bent "bl" bars sketch



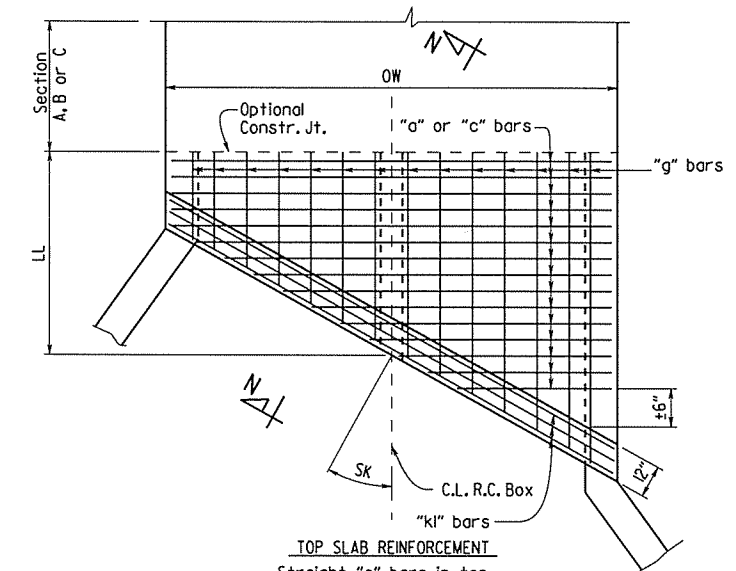
TYPICAL KEYWAY DETAIL
 (All Construction Joints)

DATE REVISED	DATE FILMED	REVISED	DATE FILMED	FED. ROAD DIST. NO.	STATE	FED. AID PROJ. NO.	SHEET NO.	TOTAL SHEETS
				6	ARK.	BR2604	12	52

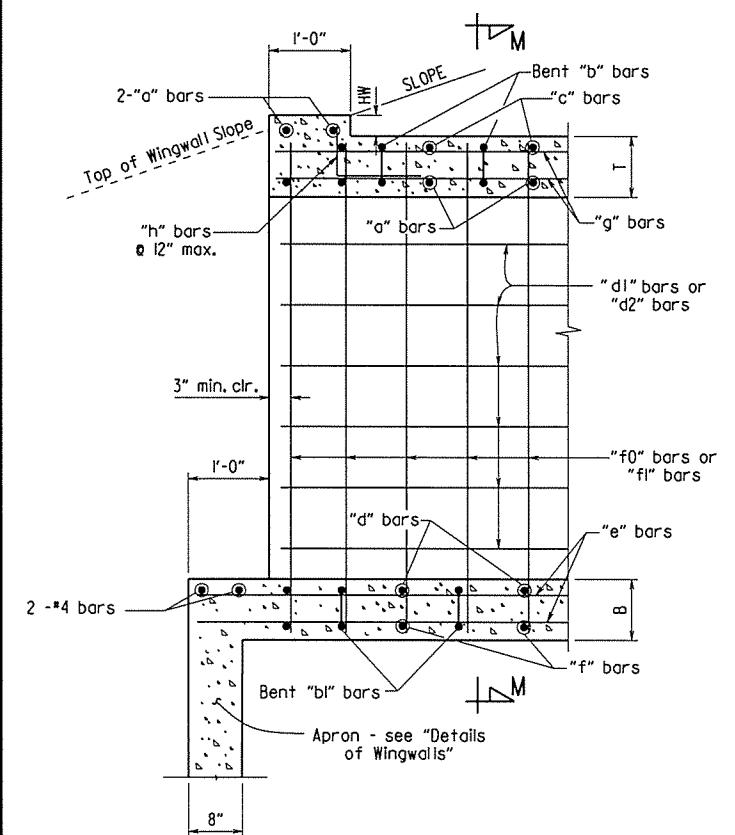
1 SPECIAL DETAILS

Lap Detail
 For Bent "b" bars and Bent "bl" bars

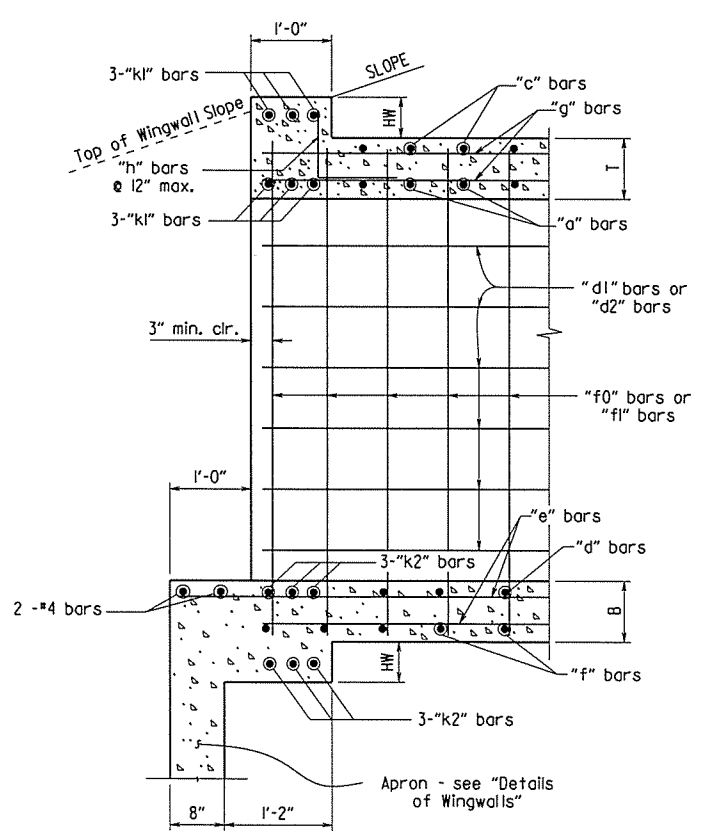
At the Contractor's option in lieu of providing Bent "b" or Bent "bl" bars, one bar top and bottom of equivalent size may be substituted for each bent bar. Payment for the reinforcing will be based on the weight of the "b" or "bl" bar.



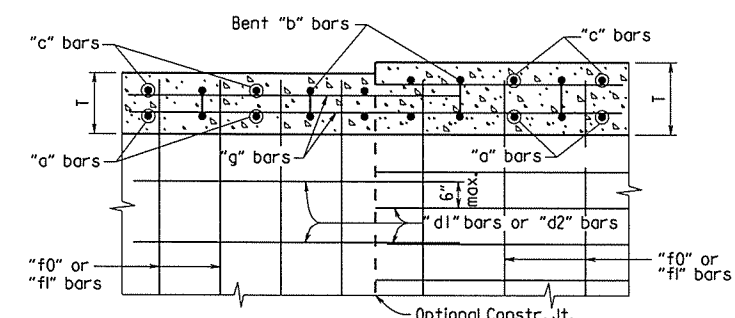
TOP SLAB REINFORCEMENT
 Straight "c" bars in top.
 Straight "a" bars in bottom.



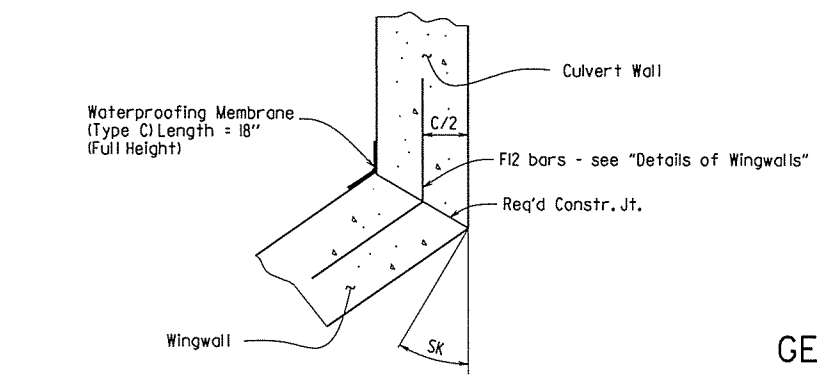
PART LONGITUDINAL SECTION
 (Non-Skewed Ends)



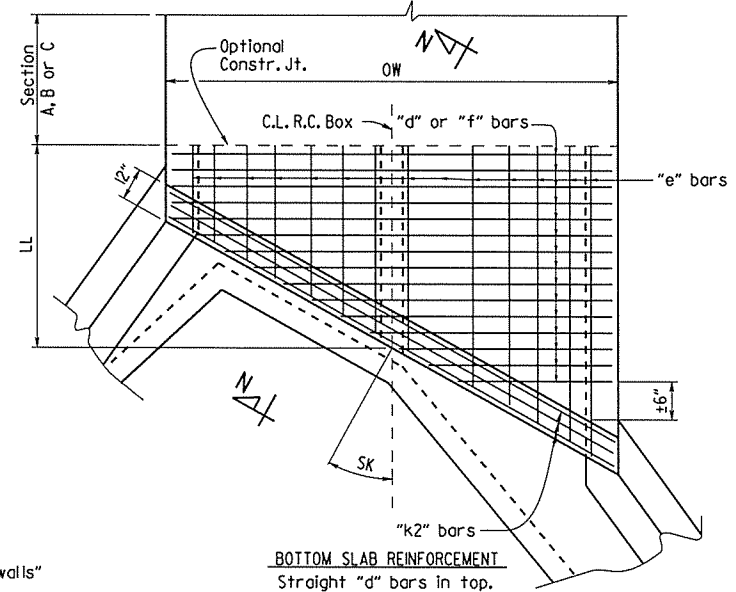
PART LONGITUDINAL SECTION N-N
 (Skewed Ends)



LONGITUDINAL LAP DETAIL AT CHANGE IN SECTIONS
 TOP SLAB SHOWN, BOTTOM SLAB SIMILAR



WINGWALL ATTACHMENT
 See "Details of Wingwalls" for additional information and wingwall details.



BOTTOM SLAB REINFORCEMENT
 Straight "d" bars in top.
 Straight "f" bars in bottom.

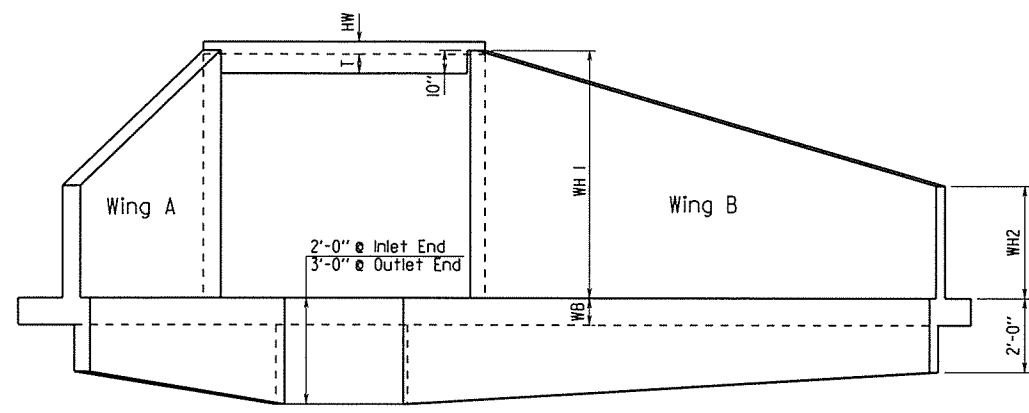
SKewed END SECTION DETAILS

SHEET 3 OF 4
 GENERAL DETAILS OF R.C. BOX CULVERT
 DETAILS OF MULTI-BARREL
 R.C. BOX CULVERT
 SPECIAL DETAILS

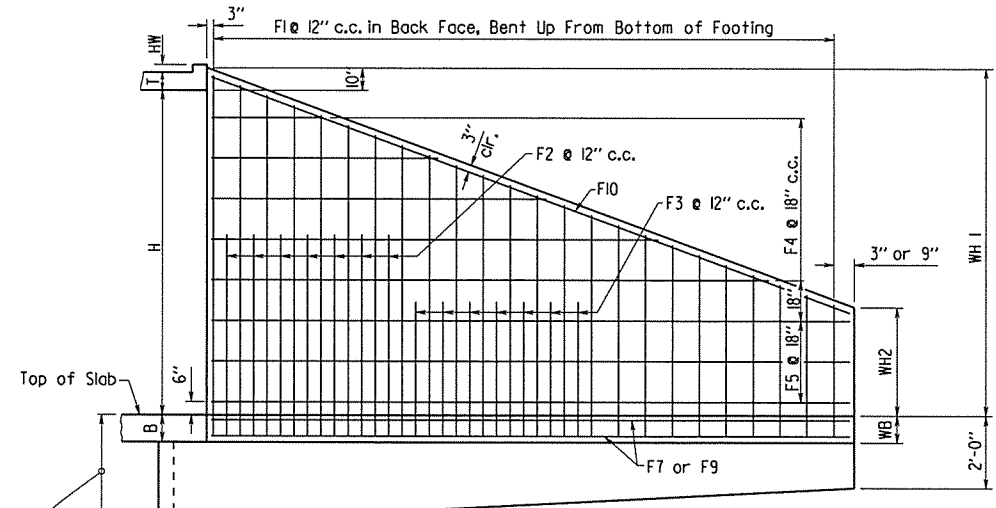
bbr2604_culvert.dgn

DATE REVISED	DATE FILMED	DATE REVISED	DATE FILMED	FED. ROAD DIST. NO.	STATE	FED. AID PROJ. NO.	SHEET NO.	TOTAL SHEETS
				6	ARK.	BR2604	13	52

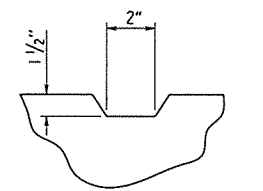
1 SPECIAL DETAILS



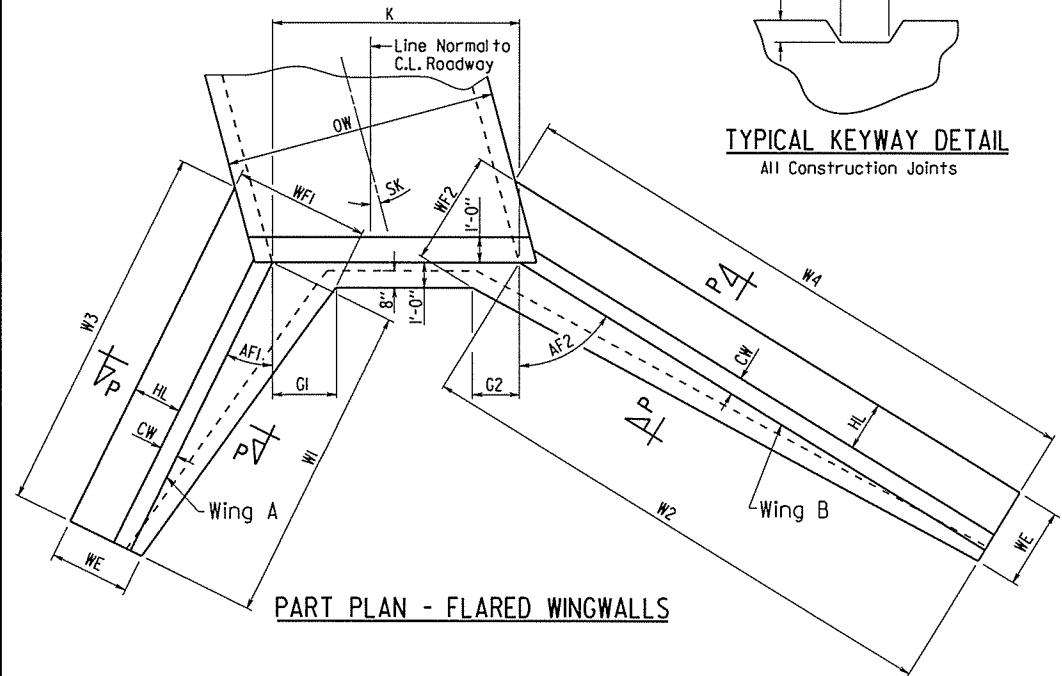
END ELEVATION
Flared Wingwalls Shown



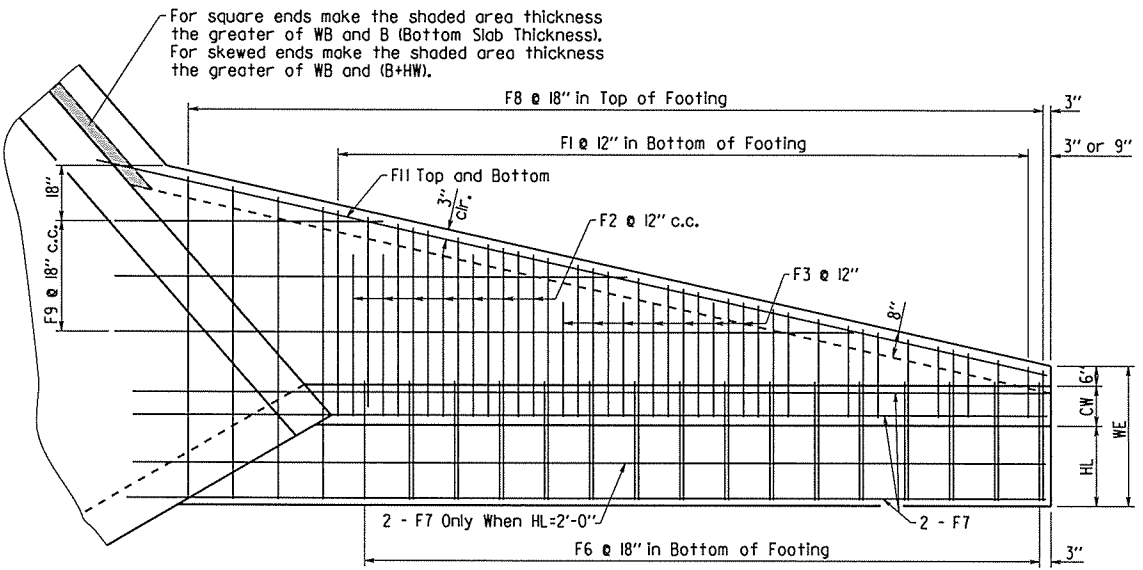
WINGWALL ELEVATION
Showing Back Face Reinforcement



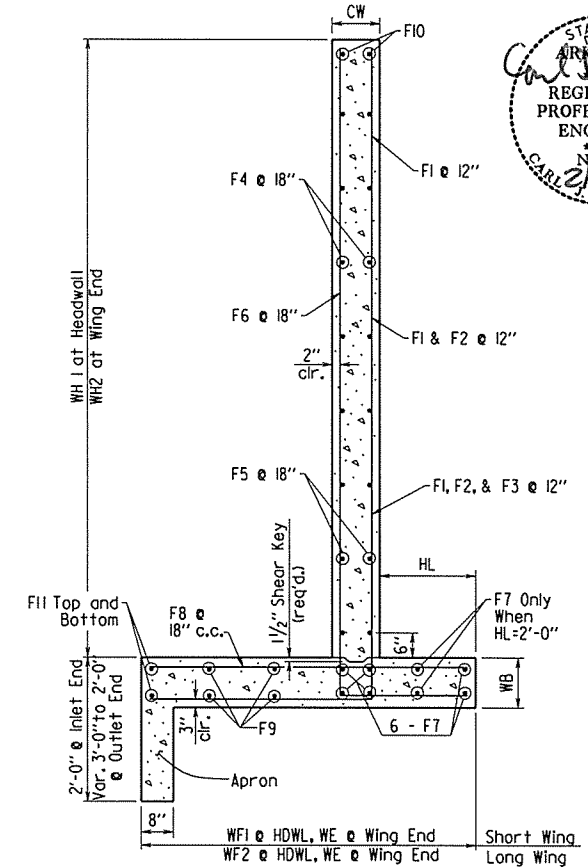
TYPICAL KEYWAY DETAIL
All Construction Joints



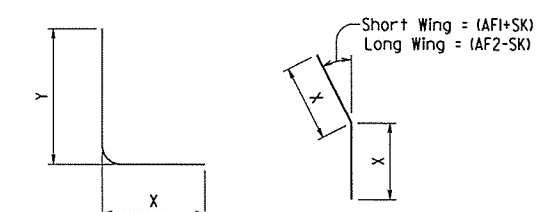
PART PLAN - FLARED WINGWALLS



PLAN - FLARED WINGWALLS
Showing Footing Reinforcement

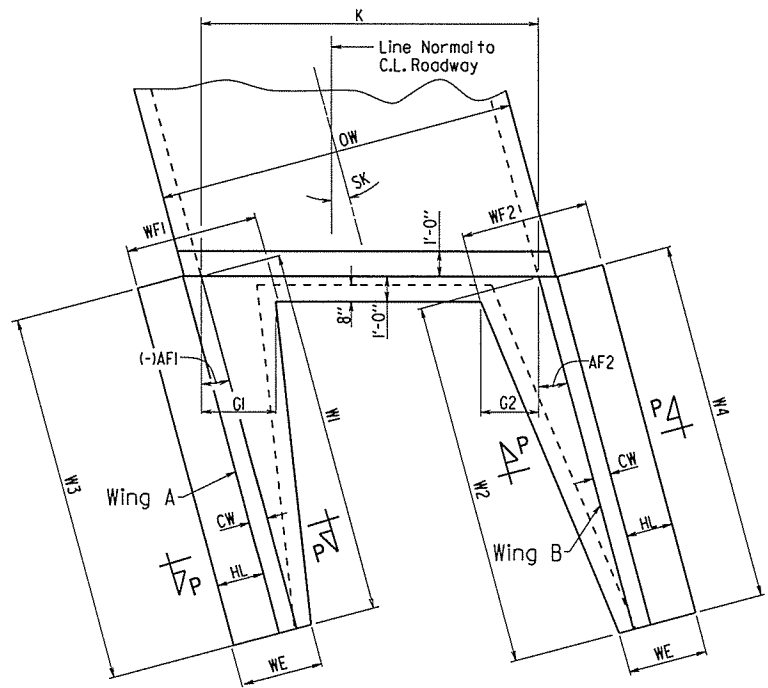


WINGWALL SECTION P-P

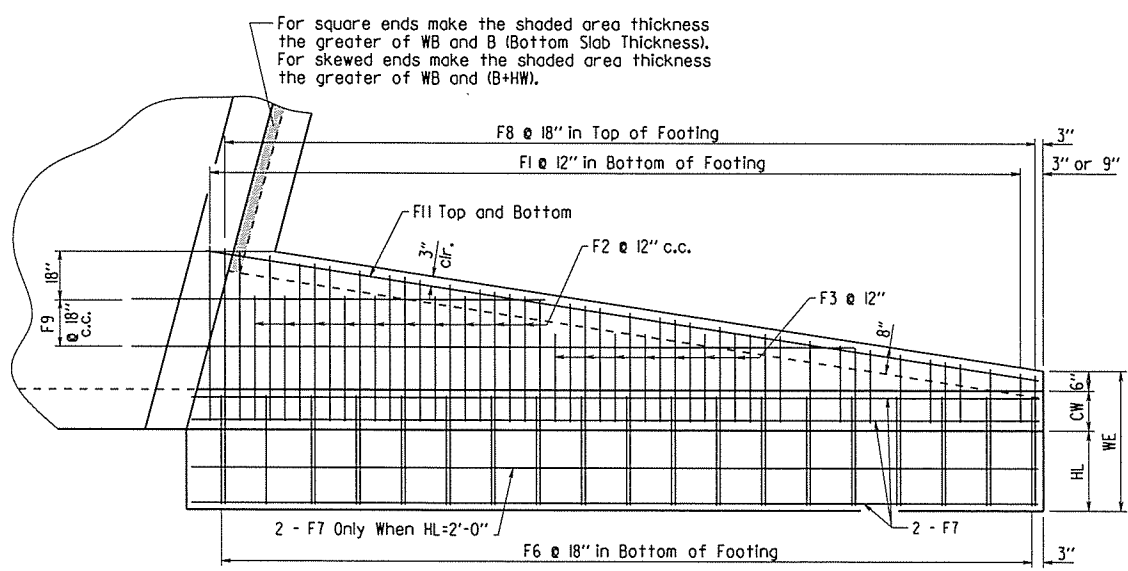


FI, F2, F3, & F6 BARS ***FI2 BAR**

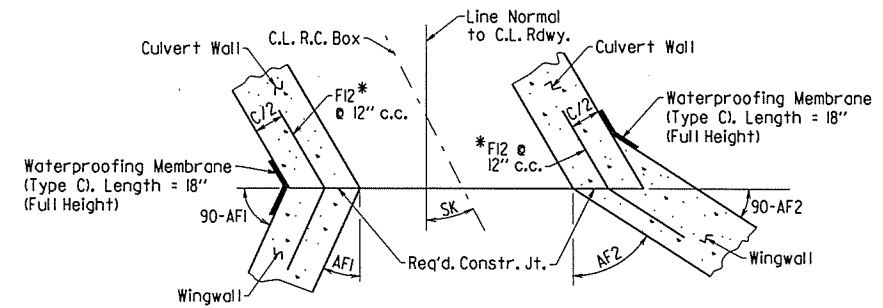
*FI2 is a straight bar for parallel wingwalls



PART PLAN - PARALLEL WINGWALLS



PLAN - PARALLEL WINGWALLS
Showing Footing Reinforcement



CONSTRUCTION JOINTS
Flared Wingwalls Shown

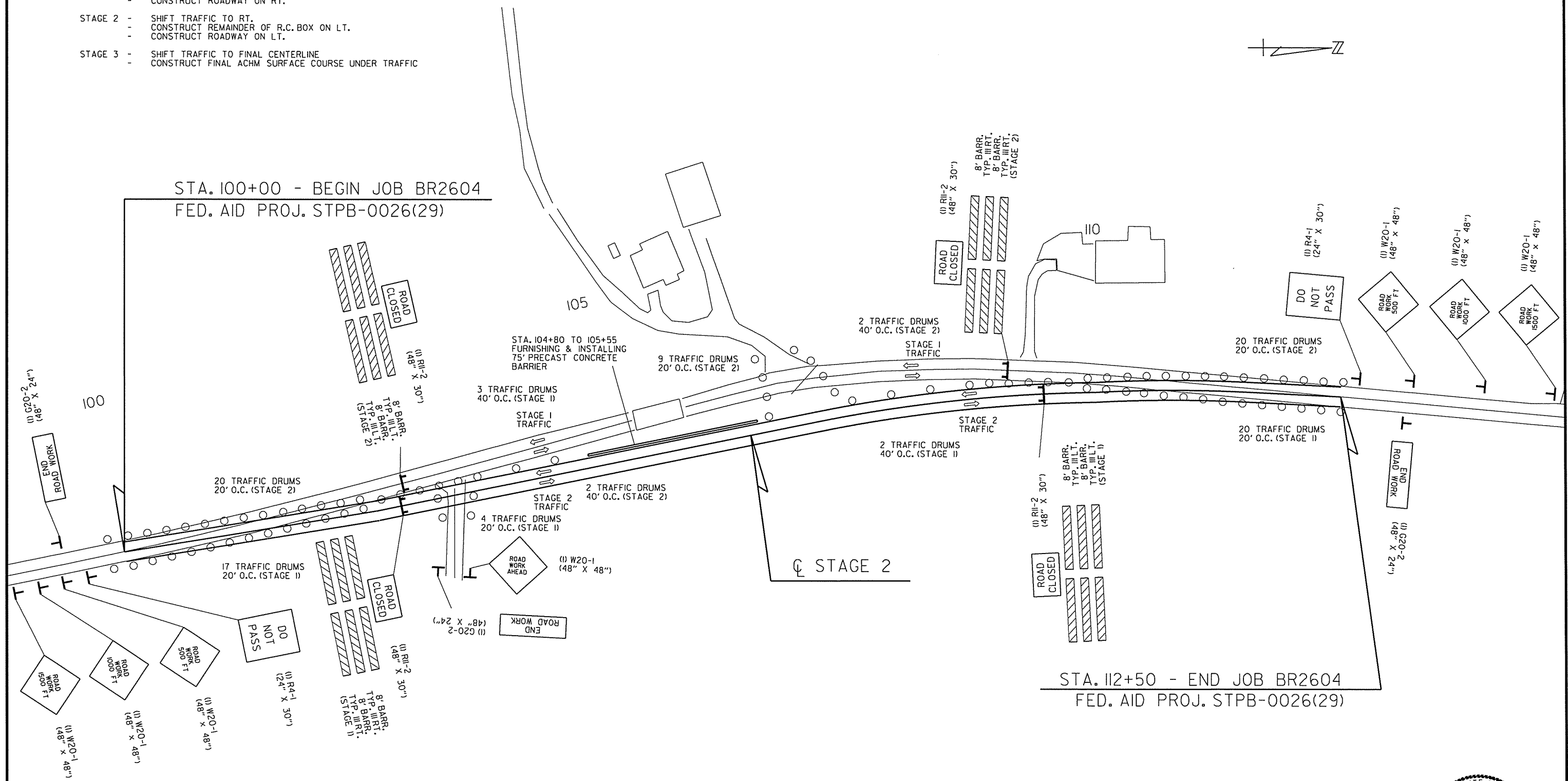
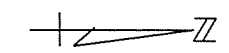
SHEET 4 OF 4
GENERAL DETAILS OF R.C. BOX CULVERT
DETAILS OF WINGWALLS
SPECIAL DETAILS

bbr2604_culvert.dgn

DATE REVISED	DATE FILMED	DATE REVISED	DATE FILMED	FED. RD. DIST. NO.	STATE	FED. AID PROJ. NO.	SHEET NO.	TOTAL SHEETS
				6	ARK.			
JOB NO. BR2604							14	52
④ MAINTENANCE OF TRAFFIC DETAILS								

STAGE CONSTRUCTION

- STAGE 1 - MAINTAIN TRAFFIC ON EXISTING
- CONSTRUCT R.C. BOX ON RT.
- CONSTRUCT ROADWAY ON RT.
- STAGE 2 - SHIFT TRAFFIC TO RT.
- CONSTRUCT REMAINDER OF R.C. BOX ON LT.
- CONSTRUCT ROADWAY ON LT.
- STAGE 3 - SHIFT TRAFFIC TO FINAL CENTERLINE
- CONSTRUCT FINAL ACHM SURFACE COURSE UNDER TRAFFIC



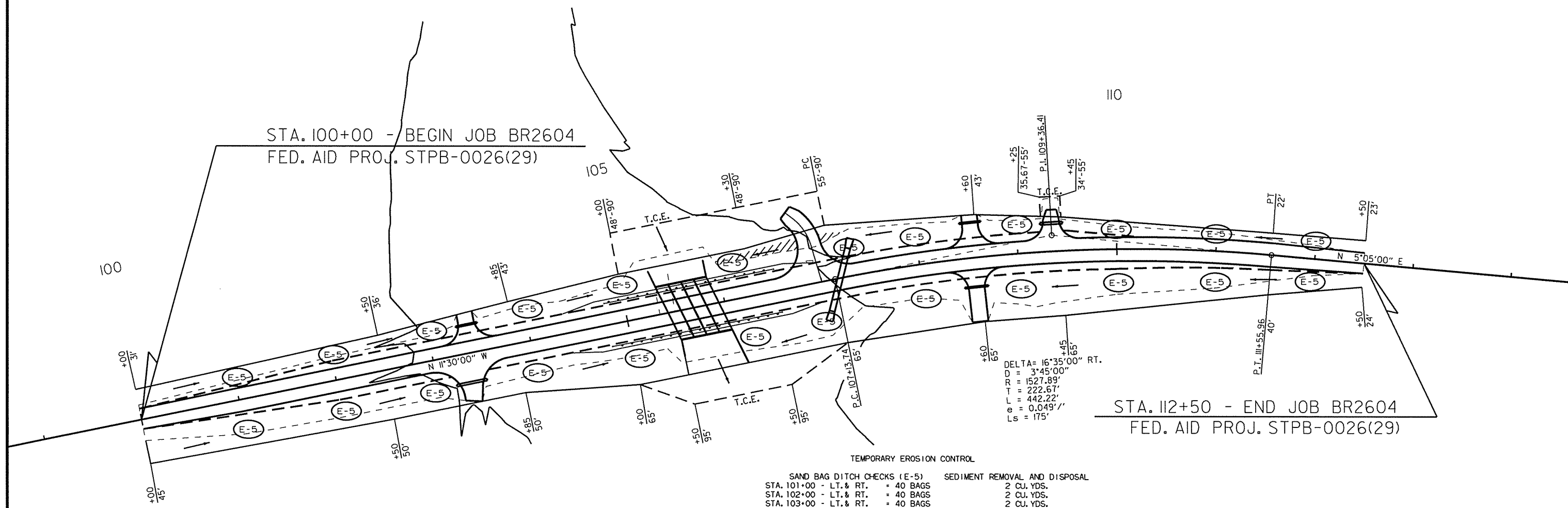
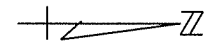
MAINTENANCE OF TRAFFIC DETAILS



3/4/2014

DATE REVISED	DATE FILMED	DATE REVISED	DATE FILMED	FED. RD. DIST. NO.	STATE	FED. AID PROJ. NO.	SHEET NO.	TOTAL SHEETS
				6	ARK.			
JOB NO. BR2604							15	52

④ TEMPORARY EROSION CONTROL DETAILS



STA. 112+50 - END JOB BR2604
FED. AID PROJ. STPB-0026(29)

TEMPORARY EROSION CONTROL

SAND BAG DITCH CHECKS (E-5)	SEDIMENT REMOVAL AND DISPOSAL
STA. 101+00 - LT. & RT. = 40 BAGS	2 CU. YDS.
STA. 102+00 - LT. & RT. = 40 BAGS	2 CU. YDS.
STA. 103+00 - LT. & RT. = 40 BAGS	2 CU. YDS.
STA. 104+00 - LT. & RT. = 40 BAGS	2 CU. YDS.
STA. 105+00 - LT. & RT. = 40 BAGS	2 CU. YDS.
STA. 106+25 - LT. & RT. = 40 BAGS	2 CU. YDS.
STA. 107+00 - RT. = 20 BAGS	1 CU. YDS.
STA. 107+25 - LT. = 20 BAGS	1 CU. YDS.
STA. 108+00 - LT. & RT. = 40 BAGS	2 CU. YDS.
STA. 109+00 - LT. & RT. = 40 BAGS	2 CU. YDS.
STA. 110+00 - LT. & RT. = 40 BAGS	2 CU. YDS.
STA. 111+00 - LT. & RT. = 40 BAGS	2 CU. YDS.
STA. 112+00 - LT. & RT. = 40 BAGS	2 CU. YDS.

SILT FENCE (E-11)
* ENTIRE PROJECT = 400 LIN. FT. 4 CU. YDS.

SEDIMENT BASIN (E-14)
* ENTIRE PROJECT = 80 CU. YDS. 80 CU. YDS.

* OBLITERATION OF SEDIMENT BASIN = 80 CU. YDS.

NOTE: EROSION CONTROL ITEMS ARE SUBJECT TO IMMEDIATE PLACEMENT AS DIRECTED BY THE ENGINEER. EXACT LOCATIONS TO BE DETERMINED IN THE FIELD BY THE ENGINEER.

NOTE: THE TEMPORARY EROSION CONTROL DEVICES SHOWN SHALL BE INSTALLED IN SUCH A SEQUENCE AS TO DETER EROSION AND SEDIMENTATION ON U.S. WATERWAY AS EXPLAINED BY THE NATIONAL POLLUTANT DISCHARGE ELIMINATION SYSTEM PERMIT.

* ESTIMATED QUANTITY. TO BE USED IF AND WHERE DIRECTED BY THE ENGINEER. SEE SECTION 104.03 OF THE STANDARD SPECIFICATIONS.

TEMPORARY EROSION CONTROL REVISIONS

DATE OF REVISION	REVISIONS

TEMPORARY EROSION CONTROL DETAILS



3/4/2014

DATE REVISED	DATE FILMED	DATE REVISED	DATE FILMED	FED. RD. DIST. NO.	STATE	FED. AID PROJ. NO.	SHEET NO.	TOTAL SHEETS
				6	ARK.			
				JOB NO.	BR2604	16	52	

④ QUANTITIES

SURFACING QUANTITIES

STATION	STATION	LOCATION	LENGTH	TACK COAT				PRIME COAT				AGGREGATE BASE COURSE (CLASS 7)		ACHM SURFACE COURSE (1/2")						
				AVG. WIDTH	SQ. YD.	GALLONS PER SQ. YD.	GALLONS	AVG. WIDTH	SQ. YD.	GALLONS PER SQ. YD.	GALLONS	TONS PER STATION	TONS	AVG. WIDTH	LBS./SQ. YD.	SQ. YD.	TON			
				FT.				FT.						FT.						
TRANSITION SECTION																				
100+00.00	101+00.00	LANES TAPER	100.00	22.00	244.44	0.05	12.2	22.50	250.00	0.40	100.0	113.8	113.8	22.00	440	244.44	53.8			
100+00.00	102+00.00	LT. SHOULDER TAPER	200.00					4.50	100.00	0.40	40.0	25.7	51.4	4.00	220	88.89	9.8			
100+00.00	102+00.00	RT. SHOULDER TAPER	200.00	4.00	88.89	0.05	4.4	4.50	100.00	0.40	40.0	25.7	51.4	4.00	440	88.89	19.6			
101+00.00	102+00.00	LANES	100.00	24.00	266.67	0.05	13.3	24.50	272.22	0.40	108.9	108.8	108.8	24.00	440	266.67	58.7			
MAIN SECTION																				
102+00.00	104+37.00	STAGE 1	237.00					21.00	553.00	0.40	221.2	134.2	318.1	20.00	220	526.67	57.9			
104+37.00	104+70.00	STAGE 1 TRANS. TO GR WIDENING	33.00					21.75	79.75	0.40	31.9	142.7	47.1	20.75	220	76.08	8.4			
104+70.00	106+65.00	STAGE 1 WITH GR WIDENING	195.00					22.50	487.50	0.40	195.0	151.1	294.6	21.50	220	465.83	51.2			
106+65.00	106+98.00	STAGE 1 TRANS. FROM GR WIDENING	33.00					21.75	79.75	0.40	31.9	142.7	47.1	20.75	220	76.08	8.4			
106+98.00	109+50.00	STAGE 1	252.00					21.00	588.00	0.40	235.2	134.2	338.2	20.00	220	560.00	61.6			
102+00.00	104+37.00	STAGE 2	237.00					12.50	329.17	0.40	131.7	73.8	174.9	12.00	220	316.00	34.8			
104+37.00	104+70.00	STAGE 2 TRANS. TO GR WIDENING	33.00					12.50	45.83	0.40	18.3	85.3	28.1	12.00	220	44.00	4.8			
104+70.00	106+65.00	STAGE 2 WITH GR WIDENING	195.00					12.50	270.83	0.40	108.3	96.8	188.8	12.00	220	260.00	28.6			
106+65.00	106+98.00	STAGE 2 TRANS. FROM GR WIDENING	33.00					12.50	45.83	0.40	18.3	85.3	28.1	12.00	220	44.00	4.8			
106+98.00	109+50.00	STAGE 2	252.00					12.50	350.00	0.40	140.0	73.8	186.0	12.00	220	336.00	37.0			
102+00.00	104+37.00	STAGE 3	237.00	32.00	842.67	0.05	42.1	8.50	223.83	0.40	89.5	1.0	2.4	40.00	220	1053.33	115.9			
104+37.00	104+70.00	STAGE 3 TRANS. TO GR WIDENING	33.00	33.00	121.00	0.05	6.1	11.00	40.33	0.40	16.1	1.0	0.3	45.50	220	166.83	18.4			
104+70.00	106+65.00	STAGE 3 WITH GR WIDENING	195.00	34.00	736.67	0.05	36.8	17.00	368.33	0.40	147.3	1.0	2.0	51.00	220	1105.00	121.6			
106+65.00	106+98.00	STAGE 3 TRANS. FROM GR WIDENING	33.00	33.00	121.00	0.05	6.1	11.00	40.33	0.40	16.1	1.0	0.3	45.50	220	166.83	18.4			
106+98.00	109+50.00	STAGE 3	252.00	32.00	896.00	0.05	44.8	8.50	238.00	0.40	95.2	1.0	2.5	40.00	220	1120.00	123.2			
TRANSITION SECTION																				
109+50.00	110+25.00	LT. SHOULDER TAPER	75.00					4.50	37.50	0.40	15.0	57.6	43.2	4.00	220	33.33	3.7			
109+50.00	110+00.00	LANES & RT. SHOULDER	50.00	32.00	177.78	0.05	8.9	33.50	186.11	0.40	74.4	161.6	80.8	32.00	440	177.78	39.1			
110+00.00	111+55.96	LANES	155.96	24.00	415.89	0.05	20.8	24.50	424.56	0.40	169.8	115.8	180.6	24.00	440	415.89	91.5			
110+00.00	112+50.00	RT. SHOULDER TAPER	250.00	4.00	111.11	0.05	5.6	4.50	125.00	0.40	50.0	26.3	65.8	4.00	440	111.11	24.4			
111+55.96	112+50.00	LANES TAPER	94.04	22.00	229.88	0.05	11.5	22.50	235.10	0.40	94.0	117.5	110.5	22.00	440	229.88	50.6			
103+34.00		COUNTY ROAD TURNOUT ON RT.											28.2							
103+40.00		PRIVATE ENTRANCE ON LT.											16.3							
107+00.00		COUNTY ROAD TURNOUT ON LT.											48.0							
108+55.00		PRIVATE ENTRANCE ON LT.											17.2							
108+55.00		PRIVATE ENTRANCE ON RT.											26.7							
109+35.00		PRIVATE ENTRANCE ON LT.											15.9							
MAINTENANCE OF TRAFFIC																		200.0*		100.0*
TOTALS:					4252.00		212.6		5470.97		2188.1		2817.1			7973.53	1146.2			

USE: 213 2188 2817 1146

BASIS OF ESTIMATE: ACHM SURFACE COURSE (1/2"): MIN. AGG. = 94.2%; ASPH. BINDER (PG 64-22) = 5.8%
Nmax = 115

NOTE: SURFACING QUANTITIES ARE ESTIMATED. TO BE USED IF AND WHERE DIRECTED BY THE ENGINEER. SEE SECTION 104.03 OF THE STANDARD SPECIFICATIONS.



2/7/2014

DATE REVISED	DATE FILMED	DATE REVISED	DATE FILMED	FED. RD. DIST. NO.	STATE	FED. AID PROJ. NO.	SHEET NO.	TOTAL SHEETS
				6	ARK.			
				JOB NO.	BR2604		18	52
				QUANTITIES				

FENCING

STATION	STATION	SIDE	REMOVAL AND DISPOSAL OF FENCE	WIRE FENCE (TYPE D-1)	16' STEEL GATES (ALTERNATE)	16' ALUMINUM GATES (ALTERNATE)
			LIN. FT.	LIN. FT.	EACH	EACH
100+00	103+13	RT.	416	337		
103+48	105+34	RT.	257			
103+48	105+50*	RT.		228		
105+89*	112+50	RT.	661			
106+04	108+47	RT.		256		
108+47	108+63	RT.			1	1
108+63	112+50	RT.		379		
TOTALS:			1334	1200	1	1

*NOTE: SEE STANDARD DRAWING WF-4 FOR DETAIL OF FENCE CONSTRUCTION AT LARGE CULVERTS.

REFLECTORIZED PAINT PAVEMENT MARKING

STATION	CONSTRUCTION PAVEMENT MARKING WHITE	CONSTRUCTION PAVEMENT MARKING YELLOW	REFLECTORIZED PAINT PAVEMENT MARKING WHITE (4")	REFLECTORIZED PAINT PAVEMENT MARKING YELLOW (4")
			CONTINUOUS	CONTINUOUS
FROM	TO	LINEAR FEET	LINEAR FEET	LINEAR FEET
100+00	112+50	2500	2500	2500
TOTALS:		2500	2500	2500

NOTE: THIS IS A HIGH VOLUME ROAD AS DEFINED IN SECTION 604.03 OF THE STANDARD SPECIFICATIONS FOR HIGHWAY CONSTRUCTION, EDITION OF 2014.

STRUCTURES

STATION	DESCRIPTION	SPAN	HEIGHT	LENGTH	ARCH PIPE CULVERT		FLARED END SECTIONS		SELECTED PIPE BEDDING*	SELECTED PIPE BACKFILL*	FILTER BLANKET	DUMPED RIPRAP	CLASS S CONCRETE - ROADWAY	REINFORCING STEEL - ROADWAY (GRADE 60)	UNCLASSIFIED EXCAVATION FOR STRUCTURES - ROADWAY	SOLID SODDING	WATER	STANDARD DRAWING NUMBERS	
					METAL	CONCRETE	METAL	CONCRETE											
					28" x 20" LIN. FT.	64" x 43" LIN. FT.	65" x 40" EACH	64" x 43" EACH											65" x 40" EACH
103+34	INSTALL PIPE CULVERT - RT. SIDE DRAIN			32															PCM-1, PCC-1
103+40	INSTALL PIPE CULVERT - LT. SIDE DRAIN			22															PCM-1, PCC-1
107+19	CONSTRUCT PIPE CULVERT W/FES				86	80	2	2	12	24									PCM-1, PCC-1, FES-1 & FES-2
108+55	INSTALL PIPE CULVERT - LT. SIDE DRAIN			22															PCM-1, PCC-1
108+55	INSTALL PIPE CULVERT - RT. SIDE DRAIN			24															PCM-1, PCC-1
109+35	INSTALL PIPE CULVERT - LT. SIDE DRAIN			24															PCM-1, PCC-1
ENTIRE PROJECT											36*	18*							PCM-1, PCC-1
STRUCTURES OVER 20' - 0" SPAN																			
105+68	QUAD R.C. BOX CULVERT WITH HEADWALLS AND WINGWALLS	12	7	58									349.00	51702	173	42	0.5		PCM-1, PCC-1
TOTALS:					124	86	80	2	2	12	24	36	18	349.00	51702	173	42	0.5	

BASIS OF ESTIMATE:

WATER..... 12.6 GALLONS PER SQUARE YARD

NOTE: FOR R.C. PIPE CULVERT INSTALLATIONS USE TYPE 3 BEDDING UNLESS OTHERWISE SPECIFIED.

NOTE: FOR C.M. PIPE CULVERT INSTALLATIONS USE TYPE 2 BEDDING UNLESS OTHERWISE SPECIFIED.

*NOTE: QUANTITIES ARE ESTIMATED. TO BE USED IF AND WHERE DIRECTED BY THE ENGINEER. SEE SECTION 104.03 OF THE STANDARD SPECIFICATIONS.

EROSION CONTROL

STATION	STATION	LOCATION	PERMANENT EROSION CONTROL			
			LIME	SEEDING	MULCH COVER	WATER
			TONS	ACRES	ACRES	M. GALS.
100+00	112+50	ENTIRE PROJECT	2	0.92	0.92	93.8
TOTALS:			2	0.92	0.92	93.8

BASIS OF ESTIMATE:

LIME..... 2 TONS / ACRE OF SEEDING

WATER..... 102.0 M.G. / ACRE OF SEEDING, PERMANENT SEEDING

STANDARD HIGHWAY SIGNS AND SUPPORT ASSEMBLIES

STATION	SIDE	STANDARD SIGN NUMBER								SUPPORT ASSEMBLIES		STANDARD DRAWING NUMBER
		W1-2L (CURVE LEFT)		W1-2R (CURVE RIGHT)		OM-3L		OM-3R		TYPE A	TYPE C	
		NO.	SQ. FT.	NO.	SQ. FT.	NO.	SQ. FT.	NO.	SQ. FT.			
105+34	LT.					1	3.00				1	SHS 1 & 2
105+39	RT.			1	6.25					1		SHS 1 & 2
105+49	RT.							1	3.00		1	SHS 1 & 2
105+87	LT.							1	3.00		1	SHS 1 & 2
106+02	RT.					1	3.00				1	SHS 1 & 2
113+31	LT.	1	6.25							1		SHS 1 & 2
TOTALS:		1	6.25	1	6.25	2	6.00	2	6.00	2	4	

NOTE: ALL STANDARD SIGN BLANKS TO BE 0.08" THICK. REFER TO STANDARD DRAWING SHS-2 FOR CHANNEL POST SPLICING DETAILS.



3/28/2014

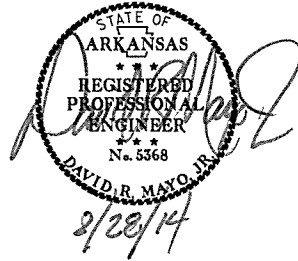
SUMMARY OF QUANTITIES

ITEM NUMBER	ITEM DESCRIPTION	QUANTITY	UNITS
201	CLEARING	13	STA.
201	GRUBBING	13	STA.
202	REMOVAL AND DISPOSAL OF FENCE	1334	LIN. FT.
202	REMOVAL AND DISPOSAL OF PIPE CULVERTS	4	EACH
210	COMPACTED EMBANKMENT	1555	CU. YDS.
210	UNCLASSIFIED EXCAVATION	3344	CU. YDS.
303	AGGREGATE BASE COURSE (CLASS 7)	2817	TON
401	PRIME COAT	2188	GAL.
401	TACK COAT	213	GAL.
SPSS&407	MINERAL AGGREGATE IN ACHM SURFACE COURSE (1/2")	1080	TON
SPSS&407	ASPHALT BINDER (PG 64-22) IN ACHM SURFACE COURSE (1/2")	66	TON
601	MOBILIZATION	1.00	LUMP SUM
SP&602	FURNISHING FIELD OFFICE	1	EACH
603	MAINTENANCE OF TRAFFIC	1.00	LUMP SUM
604	SIGNS	166	SQ. FT.
604	TRAFFIC DRUMS	53	EACH
604	BARRICADES	32	LIN. FT.
604	CONSTRUCTION PAVEMENT MARKINGS	5000	LIN. FT.
604	FURNISHING AND INSTALLING PRECAST CONCRETE BARRIER	75	LIN. FT.
606	18" REINFORCED CONCRETE PIPE CULVERT (CLASS III)	72	LIN. FT.
* 606	65" X 40" REINFORCED CONCRETE ARCH PIPE CULVERTS (CLASS IV)	80	LIN. FT.
* 606	64" X 43" ASPHALT COATED CORRUGATED STEEL ARCH PIPE CULVERTS (12 GAUGE)	86	LIN. FT.
* 606	64" X 43" ALUMINUM COATED CORRUGATED STEEL ARCH PIPE CULVERTS (12 GAUGE)	86	LIN. FT.
* 606	64" X 43" POLYMER PRECOATED METALLIC COATED CORRUGATED STEEL ARCH PIPE CULVERTS (12 GAUGE)	86	LIN. FT.
* 606	65" X 40" FLARED END SECTIONS FOR REINFORCED CONCRETE ARCH PIPE CULVERTS	2	EACH
* 606	64" X 43" FLARED END SECTIONS FOR CORRUGATED STEEL ARCH PIPE CULVERTS	2	EACH
606	28" X 20" SIDE DRAIN	124	LIN. FT.
606	SELECTED PIPE BACKFILL	24	CU. YDS.
606	SELECTED PIPE BEDDING	12	CU. YDS.
617	GUARDRAIL (TYPE A)	350	LIN. FT.
617	TERMINAL ANCHOR POSTS (TYPE 1)	4	EACH
* 619	16" STEEL GATES	1	EACH
* 619	16" ALUMINUM GATES	1	EACH
619	WIRE FENCE (TYPE D-1)	1200	LIN. FT.
620	LIME	2	TON
SS&620	MULCH COVER	1.84	ACRE
620	SEEDING	0.92	ACRE
620	WATER	113.1	MGAL.
621	OBLITERATION OF SEDIMENT BASIN	80	CU. YDS.
621	SAND BAG DITCH CHECKS	480	BAG
621	SEDIMENT BASIN	80	CU. YDS.
621	SEDIMENT REMOVAL AND DISPOSAL	108	CU. YDS.
621	SILT FENCE	400	LIN. FT.
621	TEMPORARY SEEDING	0.92	ACRE
624	SOLID SODDING	42	SQ. YDS.
635	ROADWAY CONSTRUCTION CONTROL	1.00	LUMP SUM
718	REFLECTORIZED PAINT PAVEMENT MARKING WHITE (4")	2500	LIN. FT.
718	REFLECTORIZED PAINT PAVEMENT MARKING YELLOW (4")	2500	LIN. FT.
726	STANDARD SIGN	24.50	SQ. FT.
729	CHANNEL POST SIGN SUPPORT (TYPE A)	2	EACH
729	CHANNEL POST SIGN SUPPORT (TYPE C)	4	EACH
802	CLASS 5 CONCRETE - ROADWAY	3.31	CU. YDS.
804	REINFORCING STEEL - ROADWAY (GRADE 60)	168	LBS.
816	FILTER BLANKET	36	SQ. YDS.
816	DUMPED RIPRAP	18	CU. YDS.
STRUCTURES OVER 20' - 0" SPAN			
205	REMOVAL OF EXISTING BRIDGE STRUCTURE (SITE NO. 1)	1.00	LUMP SUM
801	UNCLASSIFIED EXCAVATION FOR STRUCTURES - ROADWAY	173	CU. YDS.
802	CLASS 5 CONCRETE - ROADWAY	349.00	CU. YDS.
804	REINFORCING STEEL - ROADWAY (GRADE 60)	51702	LBS.

* DENOTES ALTERNATE BID ITEMS

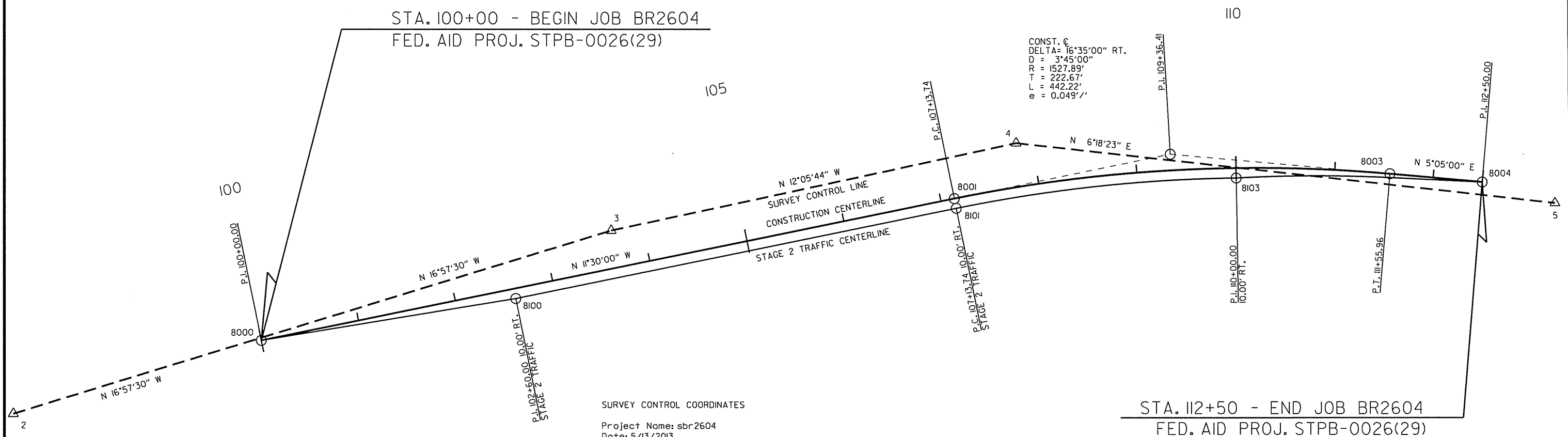
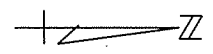
REVISIONS

DATE	DESCRIPTION	SHEET NUMBER
8/28/2014	REVISED SPECIAL PROVISION "STORM WATER POLLUTION PREVENTION PLAN".	19



DATE REVISED 8/28/14	DATE FILMED	DATE REVISED	DATE FILMED	FED. RD. DIST. NO. 6	STATE ARK.	FED. AID PROJ. NO.	SHEET NO. 19	TOTAL SHEETS 52
				JOB NO. BR2604				

④ SUMMARY OF QUANTITIES & REVISIONS



SURVEY CONTROL COORDINATES

Project Name: sbr2604
 Date: 5/13/2013
 Coordinate System: ARKANSAS STATE PLANE - NORTH ZONE BASED ON GPS CONTROL, PROJECTED TO GROUND.
 Units: U.S. SURVEY FOOT

CONSTRUCTION CENTERLINE			
POINT	STATION	NORTHING	EASTING
8000	100+00.00	2018439.71837	1023756.06223
8001	107+13.74	2019139.13226	1023613.76486
8003	111+55.96	2019579.12182	1023589.10143
8004	112+50.00	2019672.78726	1023597.43339

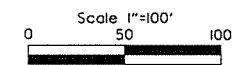
STAGE 2 TRAFFIC CENTERLINE		
POINT	NORTHING	EASTING
8000	2018439.71837	1023756.06223
8100	2018696.49237	1023714.02583
8101	2019141.2586	1023623.56413
8103	2019423.46837	1023593.22750
8004	2019672.78726	1023597.43339

Point Name	Northing	Easting	Elev	Feature	Description
1	2017718.7247	1023783.2186	572.92	CTL	5/8" Rebar with 2" Aluminum Cap
2	2018189.9183	1023829.6349	564.54	CTL	5/8" Rebar with 2" Aluminum Cap
3	2018792.9138	1023645.7586	539.09	CTL	5/8" Rebar with 2" Aluminum Cap
4	2019201.6046	1023558.1757	543.22	CTL	5/8" Rebar with 2" Aluminum Cap
5	2019746.7721	1023652.4239	563.97	CTL	5/8" Rebar with 2" Aluminum Cap
6	2020411.3453	1023652.2720	586.71	CTL	5/8" Rebar with 2" Aluminum Cap

*Note - Rebar and Cap - Standard - 5/8" Rebar with 2" Aluminum Cap stamped
 *(standard markings common to all caps), or as indicated
 (other markings indicated in the point description of the individual point).
 USE CAF = 1.0 FOR STAKEOUT FOR THIS PROJECT
 A PROJECT CAF OF 1.0000202198 HAS BEEN USED TO COMPUTE THE ABOVE GROUND COORDINATES.
 THIS CAF IS INTENDED FOR USE WITHIN THE PROJECT LIMITS.
 GRID DISTANCE = GROUND DISTANCE X CAF.
 GRID COORDINATES ARE STORED UNDER FILE NAME SBR3904GLCTL
 HORIZONTAL DATUM: NAD 83 (1997)
 VERTICAL DATUM: NAVD 88 POSITIONAL ACCURACY THIRD ORDER, UNLESS SPECIFIED OTHERWISE
 AT A SPECIFIC POINT.

REFERENCE POINTS (1500 SERIES) ARE TO BE USED TO ESTABLISH CONTROL
 IF THE PRIMARY CONTROL POINTS LISTED ABOVE HAVE BEEN DESTROYED.
 REFERENCE POINTS ARE NOT TO BE USED FOR VERTICAL CONTROL

BASIS OF BEARING:
 ARKANSAS STATE PLANE GRID BEARINGS - 0301-NORTH ZONE
 DETERMINED FROM OPUS SOLUTION AT PN1 AND PN5
 CONVERGENCE ANGLE: 0-33-28 RIGHT AT LT:34-49-03.31LG:091-02-28.53
 GRID AZIMUTH = ASTRONOMICAL AZIMUTH - CONVERGENCE ANGLE.



SURVEY CONTROL DETAILS



3/4/2014

DATE REVISED	DATE FILMED	DATE REVISED	DATE FILMED	FED. RD. DIST. NO.	STATE	FED. AID PROJ. NO.	SHEET NO.	TOTAL SHEETS
				6	ARK.			
				JOB NO.		BR2604	21	52

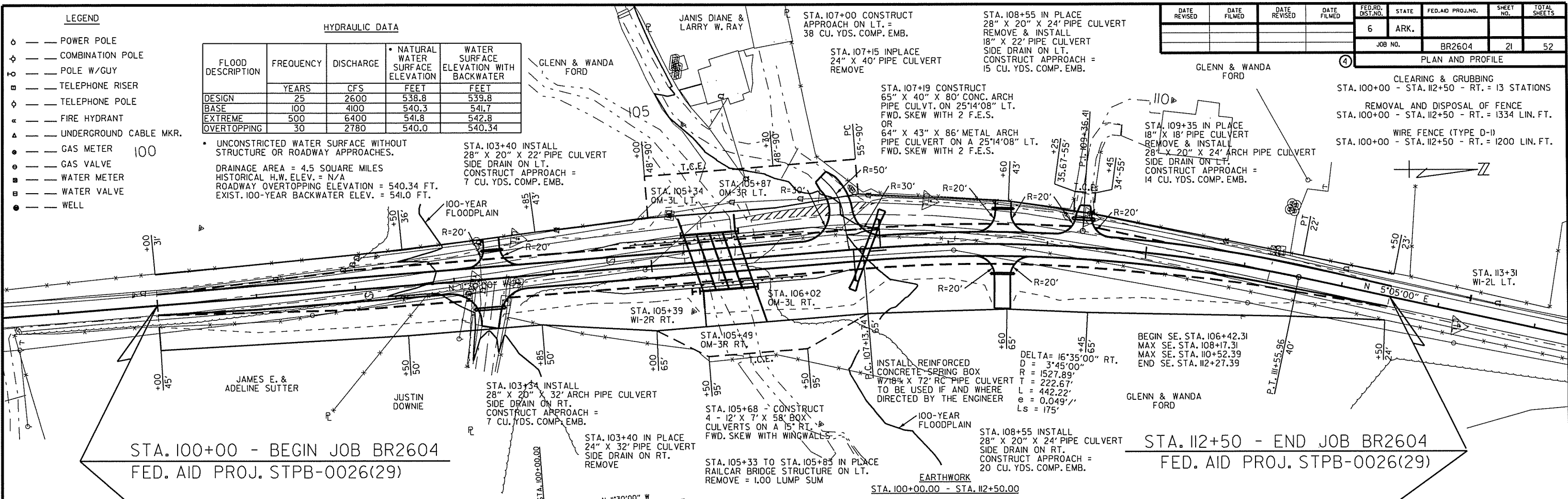
LEGEND

- — POWER POLE
- ◊ — COMBINATION POLE
- ⊕ — POLE W/GUY
- ⊞ — TELEPHONE RISER
- ⊙ — TELEPHONE POLE
- ⊕ — FIRE HYDRANT
- ▲ — UNDERGROUND CABLE MKR.
- — GAS METER
- ⊖ — GAS VALVE
- ⊞ — WATER METER
- ⊖ — WATER VALVE
- — WELL

HYDRAULIC DATA

FLOOD DESCRIPTION	FREQUENCY YEARS	DISCHARGE CFS	NATURAL WATER SURFACE ELEVATION FEET	WATER SURFACE ELEVATION WITH BACKWATER FEET
DESIGN	25	2600	538.8	539.8
BASE	100	4100	540.3	541.7
EXTREME	500	6400	541.8	542.8
OVERTOPPING	30	2780	540.0	540.34

UNCONSTRICTED WATER SURFACE WITHOUT STRUCTURE OR ROADWAY APPROACHES.
 DRAINAGE AREA = 4.5 SQUARE MILES
 HISTORICAL H.W. ELEV. = N/A
 ROADWAY OVERTOPPING ELEVATION = 540.34 FT.
 EXIST. 100-YEAR BACKWATER ELEV. = 541.0 FT.



PLAN AND PROFILE
 CLEARING & GRUBBING
 STA. 100+00 - STA. 112+50 - RT. = 13 STATIONS
 REMOVAL AND DISPOSAL OF FENCE
 STA. 100+00 - STA. 112+50 - RT. = 1334 LIN. FT.
 WIRE FENCE (TYPE D-1)
 STA. 100+00 - STA. 112+50 - RT. = 1200 LIN. FT.

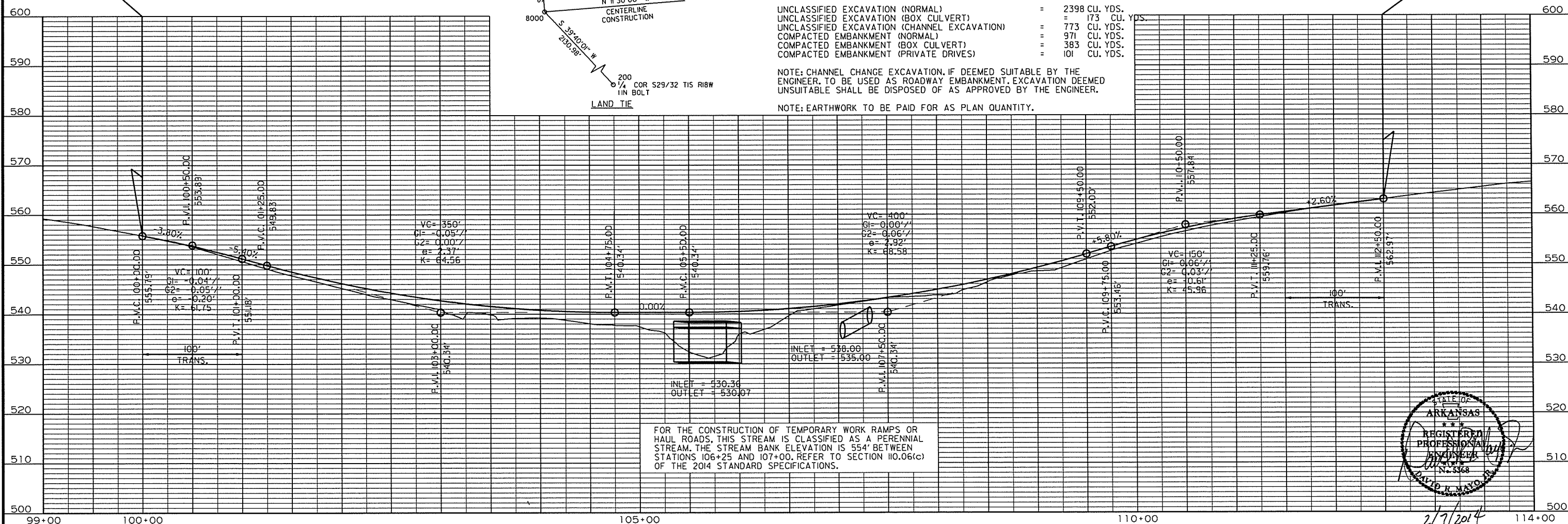
STA. 100+00 - BEGIN JOB BR2604
 FED. AID PROJ. STPB-0026(29)

STA. 112+50 - END JOB BR2604
 FED. AID PROJ. STPB-0026(29)

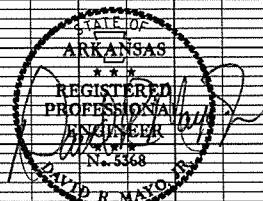
UNCLASSIFIED EXCAVATION (NORMAL)	= 2398 CU. YDS.
UNCLASSIFIED EXCAVATION (BOX CULVERT)	= 173 CU. YDS.
UNCLASSIFIED EXCAVATION (CHANNEL EXCAVATION)	= 773 CU. YDS.
COMPACTED EMBANKMENT (NORMAL)	= 971 CU. YDS.
COMPACTED EMBANKMENT (BOX CULVERT)	= 383 CU. YDS.
COMPACTED EMBANKMENT (PRIVATE DRIVES)	= 101 CU. YDS.

NOTE: CHANNEL CHANGE EXCAVATION, IF DEEMED SUITABLE BY THE ENGINEER, TO BE USED AS ROADWAY EMBANKMENT. EXCAVATION DEEMED UNSUITABLE SHALL BE DISPOSED OF AS APPROVED BY THE ENGINEER.

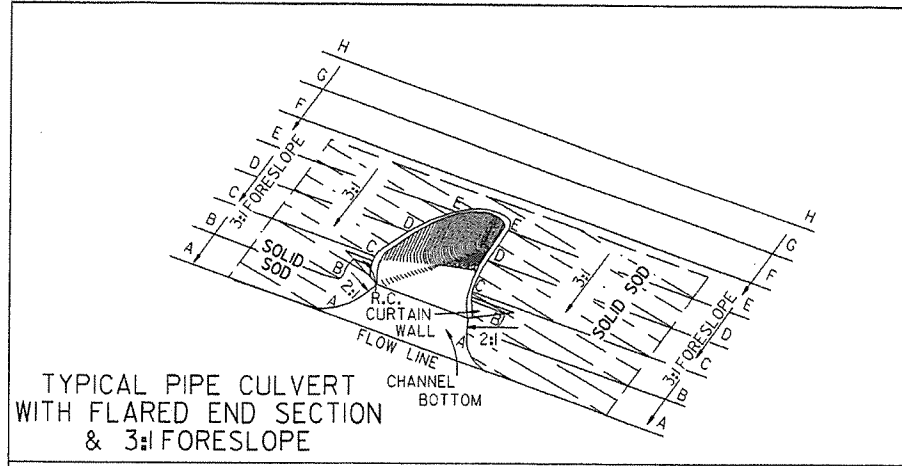
NOTE: EARTHWORK TO BE PAID FOR AS PLAN QUANTITY.



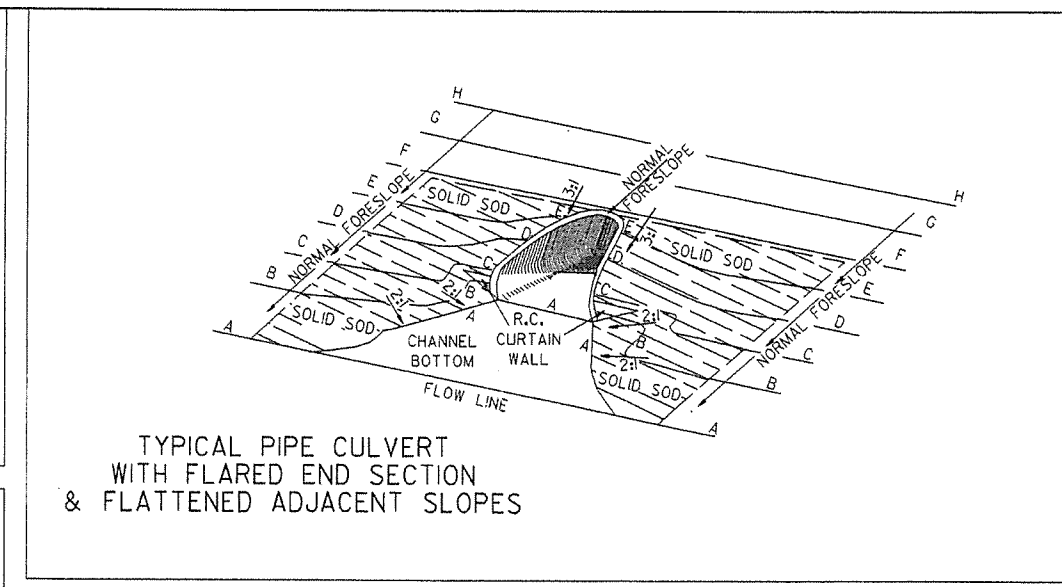
FOR THE CONSTRUCTION OF TEMPORARY WORK RAMPS OR HAUL ROADS, THIS STREAM IS CLASSIFIED AS A PERENNIAL STREAM. THE STREAM BANK ELEVATION IS 554' BETWEEN STATIONS 106+25 AND 107+00. REFER TO SECTION 110.06(c) OF THE 2014 STANDARD SPECIFICATIONS.



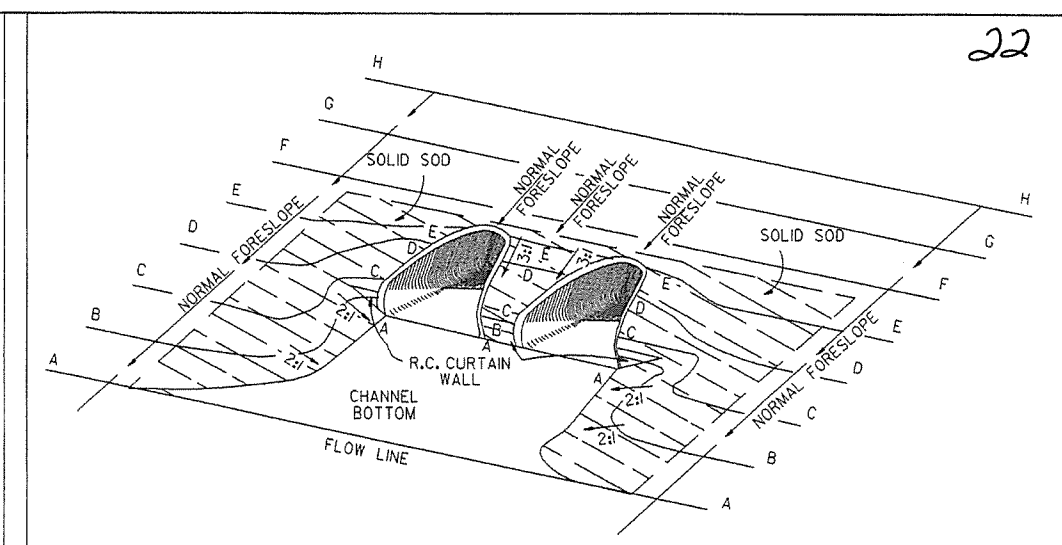
2/7/2014



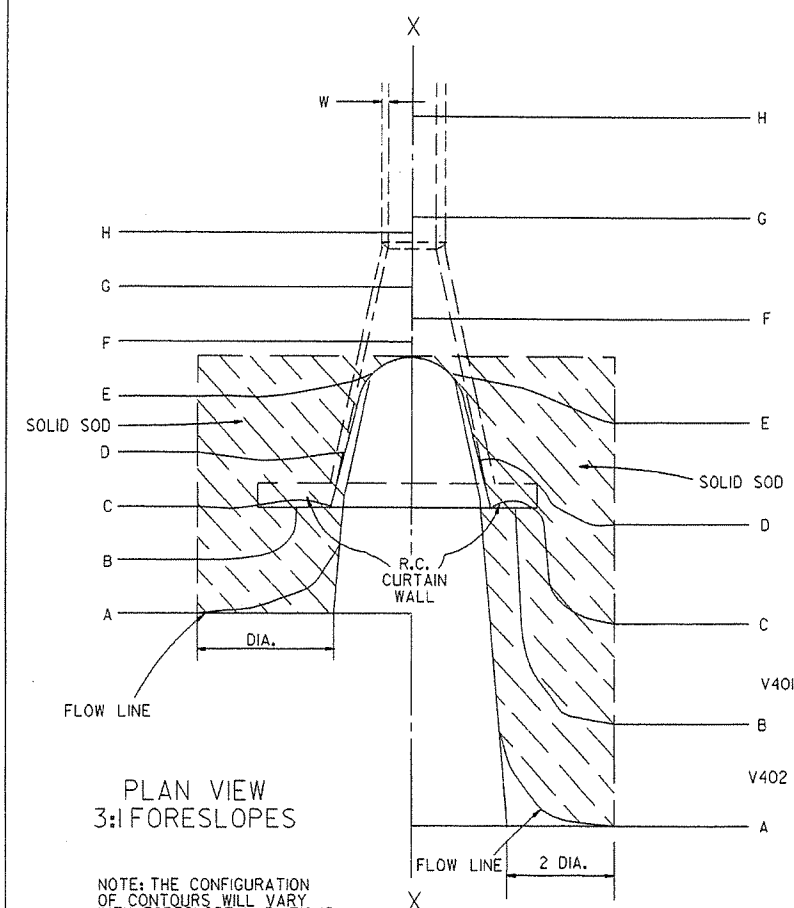
TYPICAL PIPE CULVERT WITH FLARED END SECTION & 3:1 FORESLOPE



TYPICAL PIPE CULVERT WITH FLARED END SECTION & FLATTENED ADJACENT SLOPES



TYPICAL MULTIPLE PIPE CULVERT WITH FLARED END SECTIONS & FLATTENED ADJACENT SLOPES



PLAN VIEW 3:1 FORESLOPES

PLAN VIEW FLATTENED FORESLOPES

NOTE: THE CONFIGURATION OF CONTOURS WILL VARY WITH FORESLOPE VARIATIONS.

R.C. CURTAIN WALL DIMENSIONS & QUANTITIES

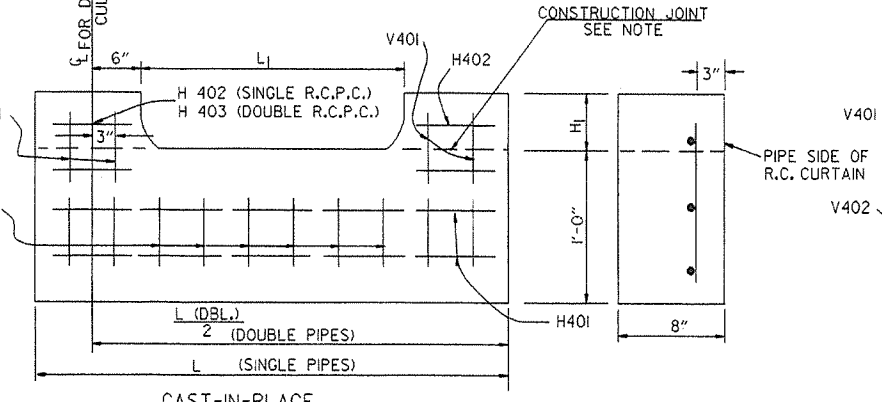
PIPE DIA.	H ₁	L ₁	L	L (DBL.) 2	SINGLE R.C.P.C.		DOUBLE R.C.P.C.	
					CONC.	REINF. STEEL	CONC.	REINF. STEEL
					CU. YDS.	LBS.	CU. YDS.	LBS.
18"	11 1/2"	3'-5"	8'-0"	6'-3"	0.31	27.7	0.45	39.5
24"	1'-0 1/2"	4'-6"	9'-6"	7'-6"	0.37	33.4	0.53	48.0
30"	1'-3 1/2"	5'-7"	11'-0"	9'-0"	0.45	39.0	0.67	59.0
36"	1'-7"	6'-8"	13'-0"	10'-6"	0.58	52.6	0.83	73.9
42"	2'-1 1/2"	7'-3"	15'-6"	12'-0"	0.82	77.1	1.10	100.7
48"	2'-5"	7'-10"	17'-0"	13'-0"	0.98	94.9	1.27	120.4
54"	2'-9 1/2"	8'-5"	18'-6"	14'-0"	1.16	115.8	1.47	143.7
60"	3'-4"	9'-0"	20'-6"	15'-6"	1.47	149.7	1.84	180.3
72"	4'-5"	10'-2"	25'-6"	18'-6"	2.31	232.6	2.73	271.0

NOTE: QUANTITIES SHOWN ARE FOR ONE (1) CURTAIN WALL.

REINFORCING STEEL SCHEDULE

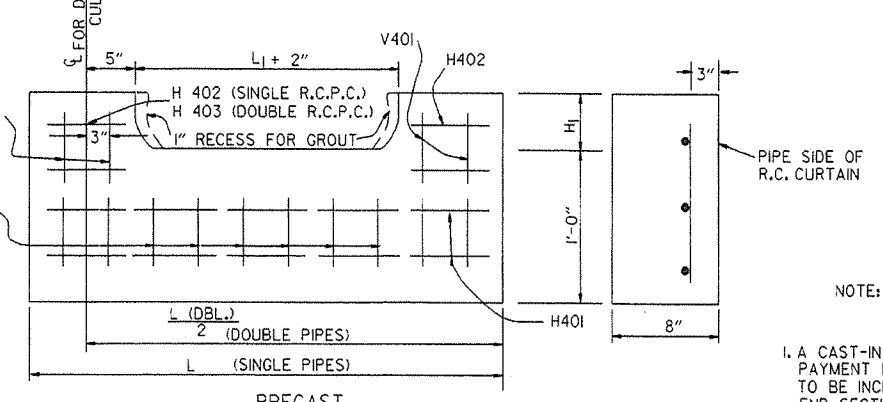
PIPE DIA.	SINGLE R.C. PIPE CULVERT								DOUBLE R.C. PIPE CULVERT									
	H401		H402		V401		V402		H401		H402		H403		V401		V402	
	L	NO.	L	NO.	L	NO.	L	NO.	L	NO.	L	NO.	L	NO.	L	NO.	L	NO.
18"	7'-8"	2	1'-11 1/2"	4	1'-7 1/2"	8	8"	8	12'-2"	2	1'-11 1/2"	4	8"	2	1'-7 1/2"	10	8"	14
24"	9'-2"	2	2'-2"	4	1'-8 1/2"	10	8"	9	14'-8"	2	2'-2"	4	8"	2	1'-8 1/2"	12	8"	18
30"	10'-8"	2	2'-4 1/2"	4	1'-11 1/2"	10	8"	12	17'-8"	2	2'-4 1/2"	4	8"	2	1'-11 1/2"	14	8"	22
36"	12'-8"	2	2'-10"	6	2'-3"	12	8"	14	20'-8"	2	2'-10"	6	8"	3	2'-3"	14	8"	28
42"	15'-2"	2	3'-9 1/2"	8	2'-9 1/2"	16	8"	15	23'-8"	2	3'-9 1/2"	8	8"	4	2'-9 1/2"	18	8"	30
48"	16'-8"	2	4'-3"	10	3'-1"	18	8"	16	25'-8"	2	4'-3"	10	8"	5	3'-1"	20	8"	32
54"	18'-2"	2	4'-8 1/2"	12	3'-5 1/2"	20	8"	17	27'-8"	2	4'-9"	12	8"	6	3'-5 1/2"	22	8"	34
60"	20'-2"	2	5'-5"	14	4'-0"	24	8"	18	30'-8"	2	5'-5"	14	8"	7	4'-0"	26	8"	36
72"	25'-2"	2	7'-4"	18	5'-1"	30	8"	20	36'-8"	2	7'-4"	18	8"	9	5'-1"	33	8"	40

ALL REINFORCING STEEL #4 BARS @ 6" O.C.



R.C. CURTAIN WALL DETAILS

NOTE: THE PORTION OF THE R.C. CURTAIN WALL BENEATH THE FLARED END SECTION (LOWER 1'-0") SHALL BE PLACED MONOLITHICALLY. THE FLARED END SECTION SHALL THEN BE SET IN PLACE & THE REMAINING PORTIONS OF THE R.C. CURTAIN WALL PLACED.



NOTE: THE PRECAST CURTAIN WALL WILL BE SET AND BACKFILLED WITH COMPACTED MATERIAL. THE FLARED END SECTION SHALL THEN BE SET IN PLACE AND THE 1" RECESS FILLED WITH GROUT. WHERE "L" EXCEEDS 11' THE CURTAIN WALL MAY BE CAST IN TWO (2) OR MORE SECTIONS. THE METHOD OF JOINING THE SECTIONS FOR INSTALLATION SHALL BE APPROVED BY THE ENGINEER.

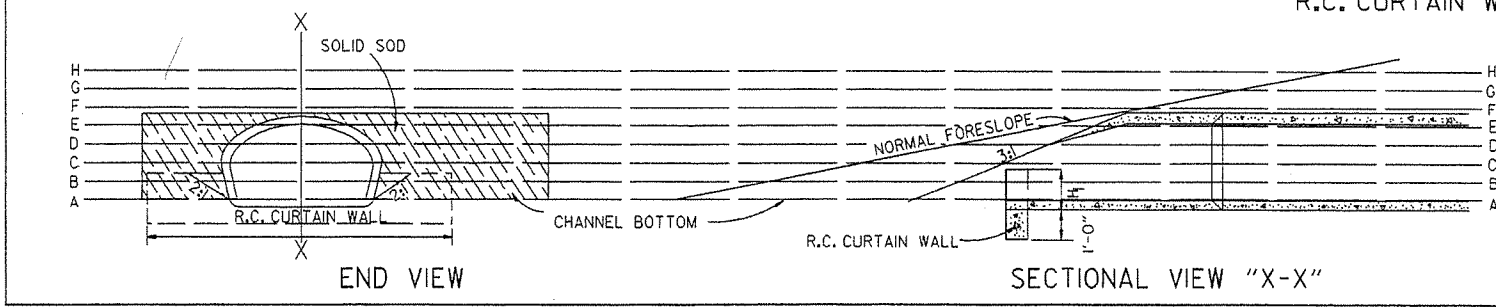
SOLID SODDING

PIPE DIA.	SINGLE R.C.P.C.						DOUBLE R.C.P.C.					
	3:1		4:1		6:1		3:1		4:1		6:1	
	SQ. YDS.						SQ. YDS.					
18"	5	7	12	6	8	13	5	7	12	6	8	13
24"	8	12	19	9	13	20	8	12	19	9	13	20
30"	13	18	29	14	19	30	13	18	29	14	19	30
36"	17	26	41	18	28	43	17	26	41	18	28	43
42"	23	35	55	25	37	57	23	35	55	25	37	57
48"	29	46	68	31	48	70	29	46	68	31	48	70
54"	35	57	85	37	59	87	35	57	85	37	59	87
60"	45	62	104	48	65	107	45	62	104	48	65	107
72"	64	92	156	67	95	159	64	92	156	67	95	159

NOTE: QUANTITIES SHOWN ABOVE ARE FOR ONE (1) END OF F.E.S.

GENERAL NOTES

1. A CAST-IN-PLACE OR PRECAST CURTAIN WALL MAY BE USED. PAYMENT FOR THE CURTAIN WALL SHALL BE CONSIDERED TO BE INCLUDED IN THE UNIT PRICE BID EACH FOR FLARED END SECTIONS OF THE SEVERAL SIZES, WHICH PRICE SHALL BE FULL COMPENSATION FOR FURNISHING ALL MATERIALS INCLUDING REINFORCING STEEL AND CONCRETE; FOR FORMS, MIXING AND PLACING; FOR EXCAVATION AND BACKFILL; AND FOR ALL LABOR, TOOLS, EQUIPMENT AND INCIDENTALS NECESSARY TO COMPLETE THE WORK.
2. ALL EXPOSED EDGES SHALL BE CHAMFERED 3/4".
3. CONCRETE FOR CURTAIN WALL SHALL MEET THE REQUIREMENTS FOR CLASS A OR S CONCRETE AS PROVIDED IN SECTION 802 OF THE STANDARD SPECIFICATIONS OR FOR PAVING CONCRETE AS PROVIDED IN SECTION 501 OF THE STANDARD SPECIFICATIONS.
4. WELDED WIRE MESH 3 x 3 W/10 x W/10 MAY BE USED IN LIEU OF REINFORCING BARS.



END VIEW

SECTIONAL VIEW "X-X"

10-18-96 ADDED NOTE TO SOLID SODDING	10-18-96	ARKANSAS STATE HIGHWAY COMMISSION
10-12-95 CORRECTED SPELLING		
11-3-94 ADDED GENERAL NOTE NO. 4		
8-15-91 REV. CURTAIN WALL QUANT. STEEL SCH. & SOLID SOD QUANT.		
3-2-81 ALLOW PRECAST IN 2 OR MORE PIECES CHAMFER EDGES		
5-15-80 ADDED PRECAST WALL & GENERAL NOTES		
10-2-72 REVISED AND REDRAWN		
DATE	REVISION	FILMED

FLARED END SECTION

STANDARD DRAWING FES-1

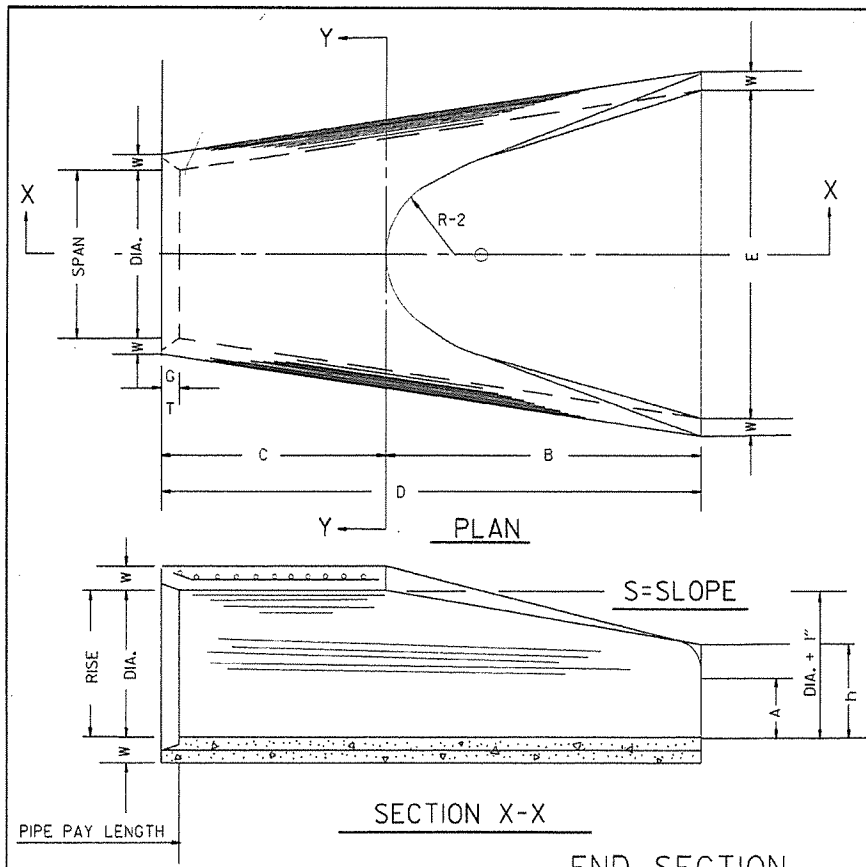
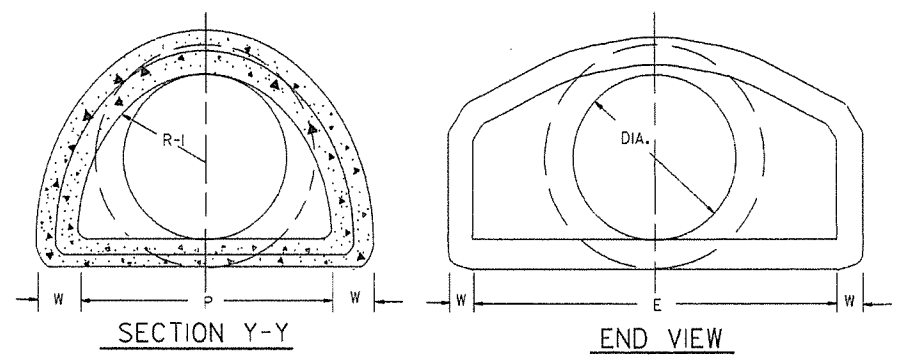


TABLE OF DIMENSIONS

DIA.	WALL	A	B	C	D	E	S	DIA., + 1"	P	R-1	R-2	G-T	WT.	h
18"	2 1/2"	9"	2'-3"	3'-10"	6'-1"	3'-0"	3:1	19"	29"	15 1/2"	12"	2"	1000	1'-0 1/2"
24"	3"	9 1/2"	3'-7 1/2"	2'-6"	6'-1 1/2"	4'-0"	3:1	25"	33 3/8"	16 1/8"	14"	2 1/2"	1600	1'-1 1/2"
30"	3 1/2"	1'-0"	4'-6"	1'-7 3/4"	6'-1 3/4"	5'-0"	3:1	31"	37"	18 1/2"	15"	3 1/4"	1940	1'-4 3/8"
36"	4"	1'-3"	5'-3"	2'-10 3/4"	8'-1 3/4"	6'-0"	3:1	37"	47 1/8"	24 5/8"	20"	3 1/2"	4100	1'-8"
42"	4 1/2"	1'-9"	5'-3"	2'-11"	8'-2"	6'-6"	3:1	43"	53 3/8"	27 1/2"	22"	3 1/2"	5380	2'-2 1/2"
48"	5"	2'-0"	6'-0"	2'-2"	8'-2"	7'-0"	3:1	49"	56 1/2"	28 1/2"	22"	3 1/2"	6550	2'-6"
54"	5 1/2"	2'-4"	6'-6"	1'-10"	8'-4"	7'-6"	3:1	55"	65 1/2"	33 3/8"	24"	4"	8750	2'-10 1/2"
60"	6"	2'-10"	6'-6"	1'-10"	8'-4"	8'-0"	3:1	61"	72 1/2"	36 1/8"	24"	4"	9270	3'-5"
72"	7"	3'-10"	6'-6"	1'-10"	8'-4"	9'-0"	3:1	73"	77 1/8"	38 5/8"	24"	5"	13250	4'-6"

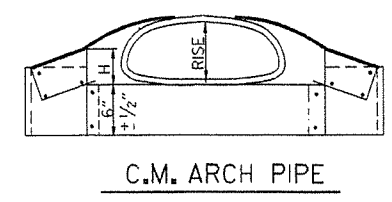
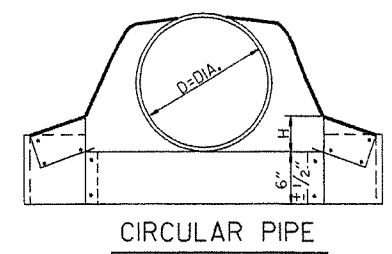
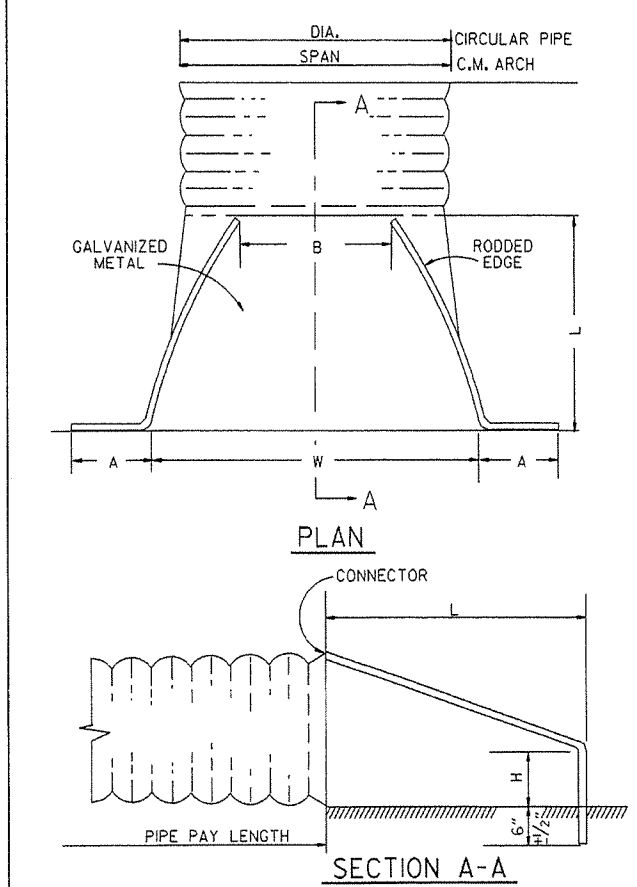
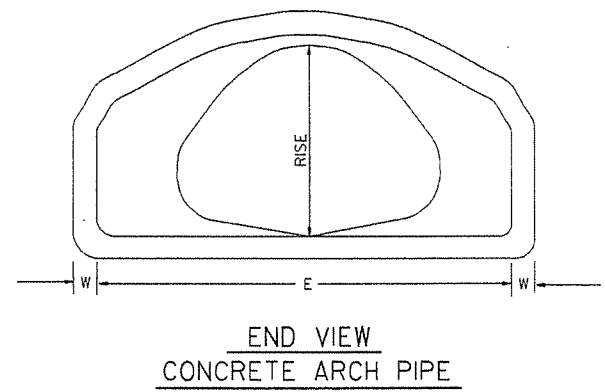


NOTE: TONGUE END ON UPSTREAM SECTION
GROOVE END ON DOWNSTREAM SECTION

ARCH PIPE

EQUIV. DIA.	SPAN		RISE		W	A	B	C	D	E	P	R2	G-T	S
	AASHTO M 206	AHD NOMINAL	AASHTO M 206	AHD NOMINAL										
15	18	18	11	11	2"	4"	2'-0"	4'-0"	6'-0"	3'-0"	29"	12"	1 1/2"	2 1/2:1
18	22	22	13 1/2	14	2 1/2"	5"	2'-0"	4'-1"	6'-1"	3'-6"	32 1/8"	13"	2 1/2"	2 1/2:1
21	26	26	15 1/2	16	2 3/4"	7"	2'-3"	3'-10"	6'-1"	4'-0"	34 1/8"	14"	2 1/2"	2 1/2:1
24	28 1/2	29	18	18	3"	9"	2'-3"	3'-10"	6'-1"	5'-0"	36 1/8"	15"	2 1/2"	2 1/2:1
30	36 1/4	36	22 1/2	23	3 1/2"	10"	3'-1"	3'-0 1/2"	6'-1 1/2"	6'-0"	47 1/8"	20"	3"	2 1/2:1
36	43 3/4	44	26 5/8	27	4"	10 1/2"	4'-0"	2'-1 1/2"	6'-1 1/2"	6'-6"	54 3/8"	22"	3 1/2"	2 1/2:1
42	51 1/8	51	31 1/8	31	4 1/2"	11 1/2"	4'-7"	1'-10 1/4"	6'-5 1/4"	7'-2"	59 1/2"	23"	3 3/4"	2 1/2:1
48	58 1/2	59	36	36	5"	1'-3"	5'-3"	2'-10 3/4"	8'-1 3/4"	7'-10"	70 3/8"	24"	4 1/4"	2 1/2:1
54	65	65	40	40	5 1/2"	1'-7"	5'-3"	2'-11"	8'-2"	8'-6"	72 1/8"	24"	4 3/4"	2 1/2:1
60	73	73	45	45	6"	1'-10"	5'-6"	2'-8"	8'-2"	9'-0"	77 3/8"	24"	5"	2 1/2:1

* THE MEASURED SPAN AND RISE SHALL NOT VARY MORE THAN ± 2 PER CENT FROM THE VALUES SPECIFIED BY AASHTO M 206.

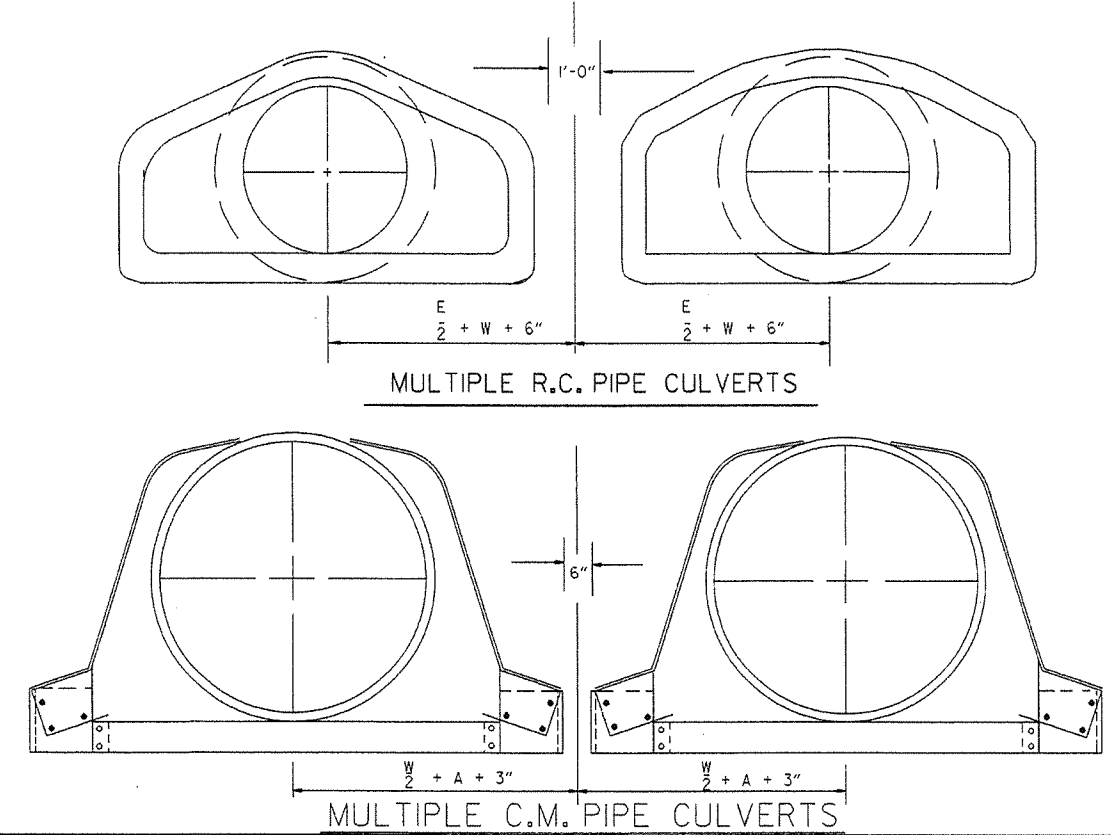


CIRCULAR PIPE

D, DIA.	GAUGE	A	B MAX.	H	L	W	S
12	16	6	6	6	21	24	2 1/2:1
15	16	7	8	6	26	30	2 1/2:1
18	16	8	10	6	31	36	2 1/2:1
21	16	9	12	6	36	42	2 1/2:1
24	16	10	13	6	41	48	2 1/2:1
30	14	12	16	8	51	60	2 1/2:1
36	14	14	19	9	60	72	2 1/2:1
42	12	16	22	11	69	84	2 1/2:1
48	12	18	27	12	78	90	2 1/2:1
54	12	18	30	12	84	102	2:1
60	12	18	33	12	87	114	1 1/2:1
66	12	18	36	12	87	120	1 1/2:1
72	12	18	39	12	87	126	1 1/3:1

C.M. ARCH PIPE

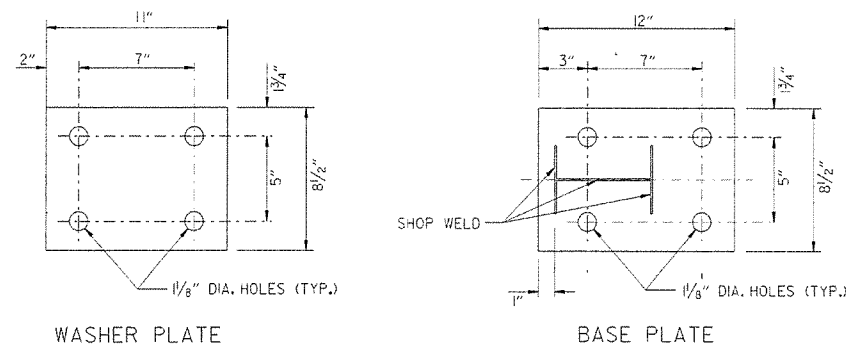
EQUIV. DIA.	SPAN	RISE	A	B MAX.	H	L	W	S	GAUGE
15"	17	13	7	9	6	19	30	2 1/2:1	16
18"	21	15	7	10	6	23	36	2 1/2:1	16
21"	24	16	8	12	6	28	42	2 1/2:1	16
24"	28	20	9	14	6	32	48	2 1/2:1	16
30"	35	24	10	16	6	39	60	2 1/2:1	14
36"	42	29	12	18	8	46	75	2 1/2:1	14
42"	49	33	13	21	9	53	85	2 1/2:1	12
48"	57	38	18	26	12	63	90	2 1/2:1	12
54"	64	43	18	30	12	70	102	2 1/4:1	12
60"	71	47	18	33	12	77	114	2 1/4:1	12



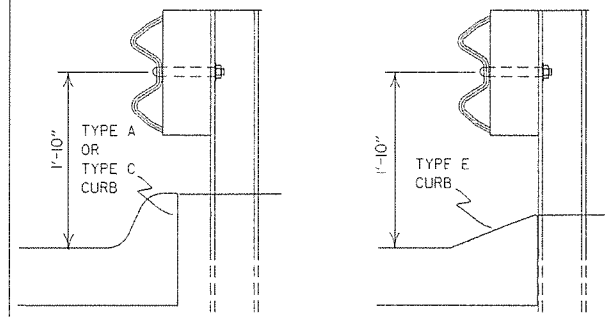
10-18-96	REVISED ASTM REF. TO AASHTO	10-18-96	ARKANSAS STATE HIGHWAY COMMISSION
5-15-80	REVISED DISTANCE BETWEEN MULTIPLE R.C.P. F.E.S.	664-5-15-80	
7-14-78	C.M. ARCH SIZES TO CONFORM WITH AASHTO SIZES	752-7-14-78	FLARED END SECTION
8-22-75	ADDED MULTIPLE PIPE CULVERTS	517-8-22-75	
12-5-74	REMOVED NOTE RE REINF. FOR R.C. F.E.S.	500-12-5-74	STANDARD DRAWING FES-2
5-24-73	CMP END SECTION, SHOW PIPE PAY LENGTH	627-5-24-73	
10-2-72	REVISED AND REDRAWN	760-10-2-72	
DATE	REVISION	FILE NO.	

END SECTIONS FOR CORRUGATED METAL PIPE CULVERTS

NOTE: ALTERNATE CONNECTIONS TO THE PIPE CULVERTS, IN ACCORDANCE WITH MANUFACTURER'S STANDARD PRACTICES, MAY BE MADE SUBJECT TO THE APPROVAL OF THE ENGINEER.



Note: Bolts, nuts, washers and plates shall be galvanized in accordance with Section 807 of the Standard Specifications.

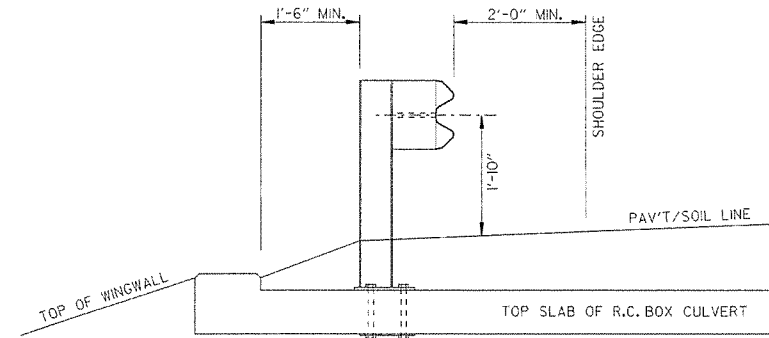


FOR DESIGN SPEEDS OF 50 MPH OR LESS
ALIGN FACE OF GUARD RAIL WITH FACE OF CURB.

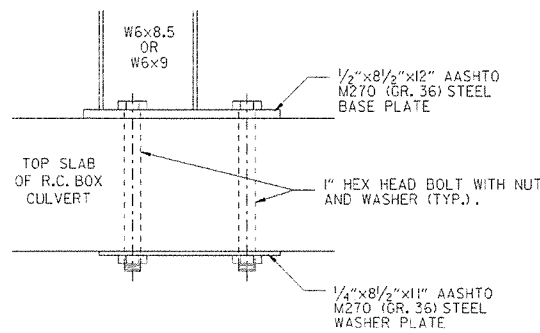
FOR DESIGN SPEEDS OF 55 MPH OR MORE
PLACE GUARD RAIL POSTS AGAINST BACK OF CURB.

DETAIL OF GUARD RAIL PLACEMENT BEHIND CURB (W-BEAM)

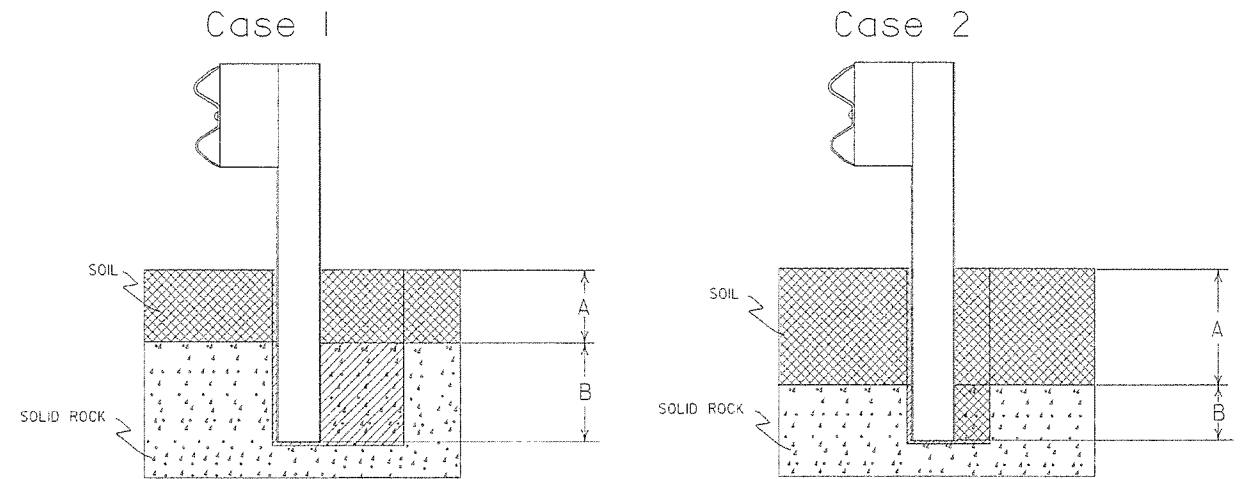
FOR DESIGN SPEEDS OF 50 MPH OR LESS ALL CURB FACES, AS SHOWN ON STD. DRWG. CG-1, MAY BE USED. FOR DESIGN SPEEDS OF 55 MPH OR MORE TYPE "E" CURB FACE SHALL BE USED.



SECTION A-A

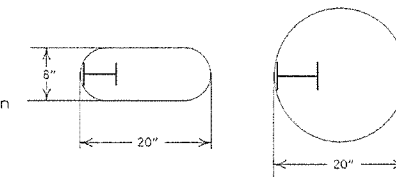


DETAIL OF CONNECTION



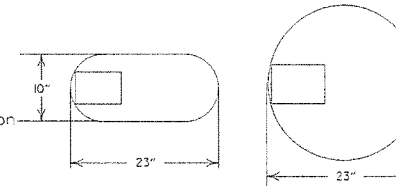
Plan View Steel Posts

Either hole configuration acceptable



Plan View Wood Posts

Either hole configuration acceptable



Notes: For overlying soil depths (A) ranging from 0 to 18", the depth of required drilling (B) is equal to 24".

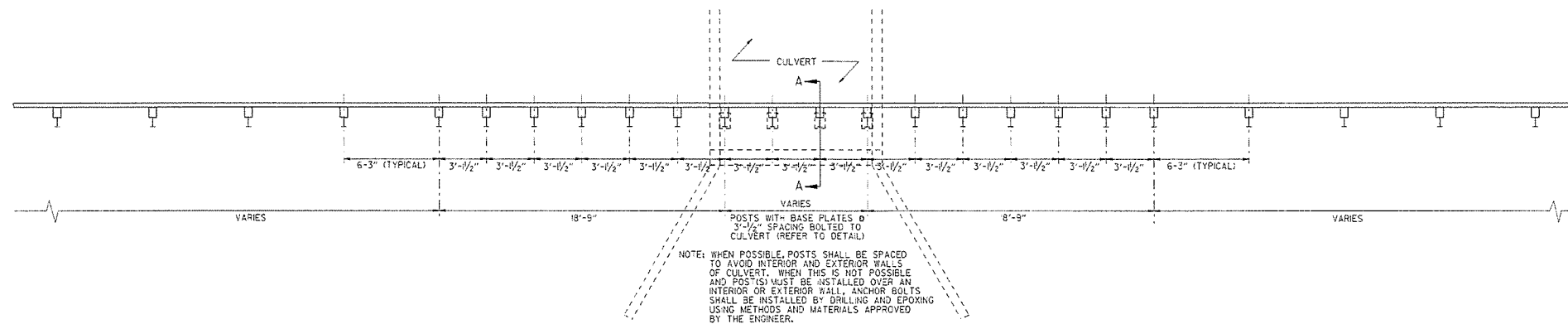
Zone A:
Backfill according to Section 617.03(a).

Zone B:
Backfill hole in 6" lifts with material meeting the requirements of Section 802.02(c) - Alternate gradation. Compact to 95% maximum dry density per ASTM D-698.

Notes: For overlying soil depths (A) ranging from 18" to 44", the depth of required drilling (B) is equal to either 12" or 44" minus the depth of soil whichever is less.

Zone A & B:
Backfill according to Section 617.03(a).

DETAIL OF POST PLACEMENT IN SOLID ROCK (W-BEAM)



PLAN LAYOUT OF TYPE A GUARD RAIL AT LOW-FILL CULVERTS

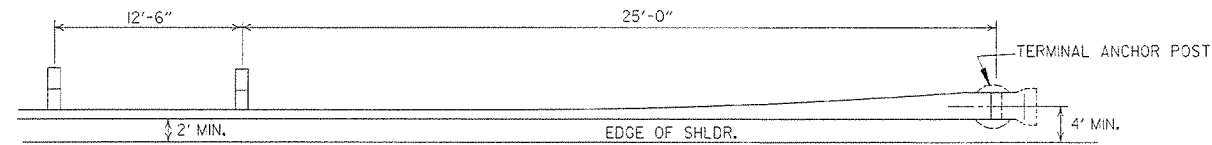
NOTE: THIS DETAIL IS TO BE USED ONLY WHEN THE COVER OVER THE CULVERT DOES NOT PERMIT FULL EMBEDMENT OF GUARD RAIL POSTS AS SHOWN ON STD. DRWG. GR-8.

7-14-10	RAISED HEIGHT OF GUARD RAIL 1"	
4-12-07	REVISED DETAIL OF GUARD RAIL PLACEMENT BEHIND CURB	
11-10-05	ADDED GUARD RAIL PLACEMENT BEHIND CURB; REVISED DETAIL OF CONNECTION	
11-18-04	REVISED POST PLACEMENT IN ROCK & CULVERT CONNECTION DETAILS. ADDED DETAIL FOR GUARD RAIL PLACEMENT AT LOW-FILL CULVERTS	
3-30-00	REMOVED CONCRETE INSERT ANCHOR	
6-12-98	CHANGED STEEL SPACER BLOCK TO WOOD BLOCKOUT; ADD. DET. OF GUARD RAIL CONNECTION TO R.C. BOX CULV'T. DELETED DET. OF STEEL LINE POST CONN. & ADD. DET. OF GUARD RAIL PLACE BEHIND CURB & DET. OF POST PLACE IN SOLID ROCK	
4-3-96	PLACED ARROWS AT CUT STEEL WASHERS	4-3-96
10-18-96	REV. ASTM REF. TO AASHTO	
11-22-95	ADDED OPTIONAL HOLES	
6-2-94	REVISED ALTERNATE POST SIZE	
8-5-93	REVISED STEEL POST SIZE	
10-1-92	REDRAWN & REVISED	10-1-92
8-2-90	DEL. WASHER ON ANCHOR ASSEMBLY	8-2-90
7-16-88	CONFORMED TO 1988 SPECS	
3-4-88	REVISED ANCHOR NOTE	
10-30-87	REVISED ANCHOR ASSEMBLY	10-30-87
10-30-87	REVISED PLACEMENT BEHIND CURB	547-10-30-87
10-9-87	REDRAWN & REVISED	803-10-9-87
DATE	REVISION	DATE FILM

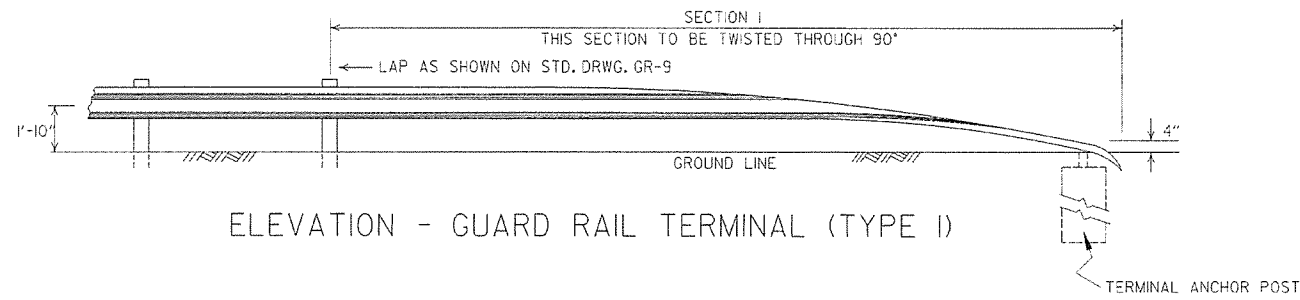
ARKANSAS STATE HIGHWAY COMMISSION

GUARD RAIL DETAILS

STANDARD DRAWING GR-8A

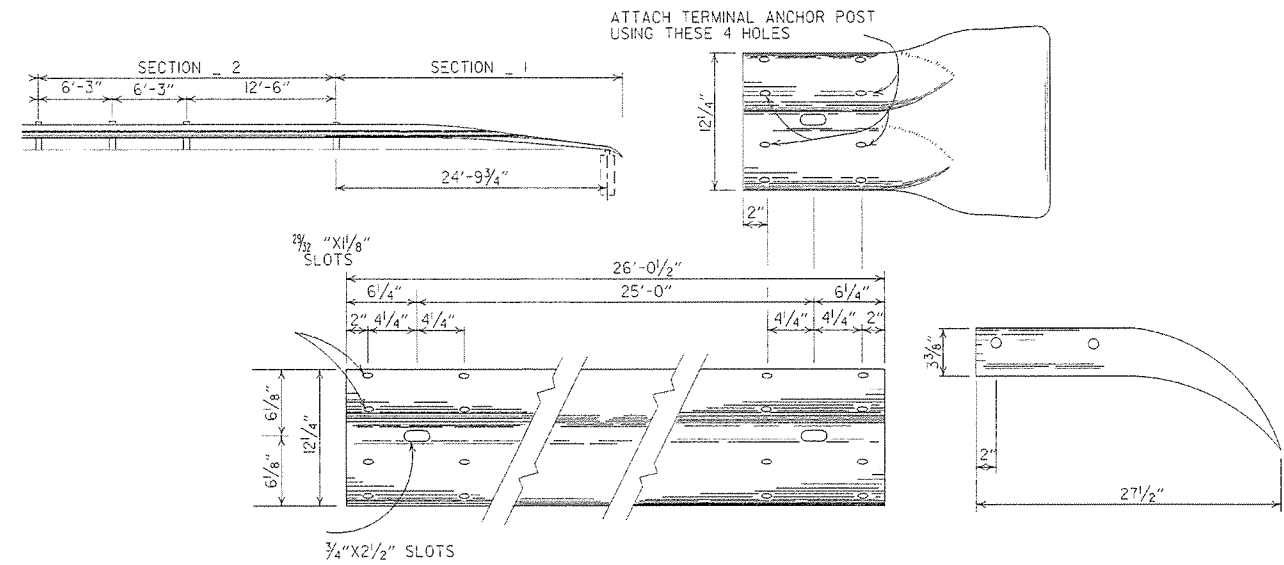


PLAN - GUARD RAIL TERMINAL (TYPE I)



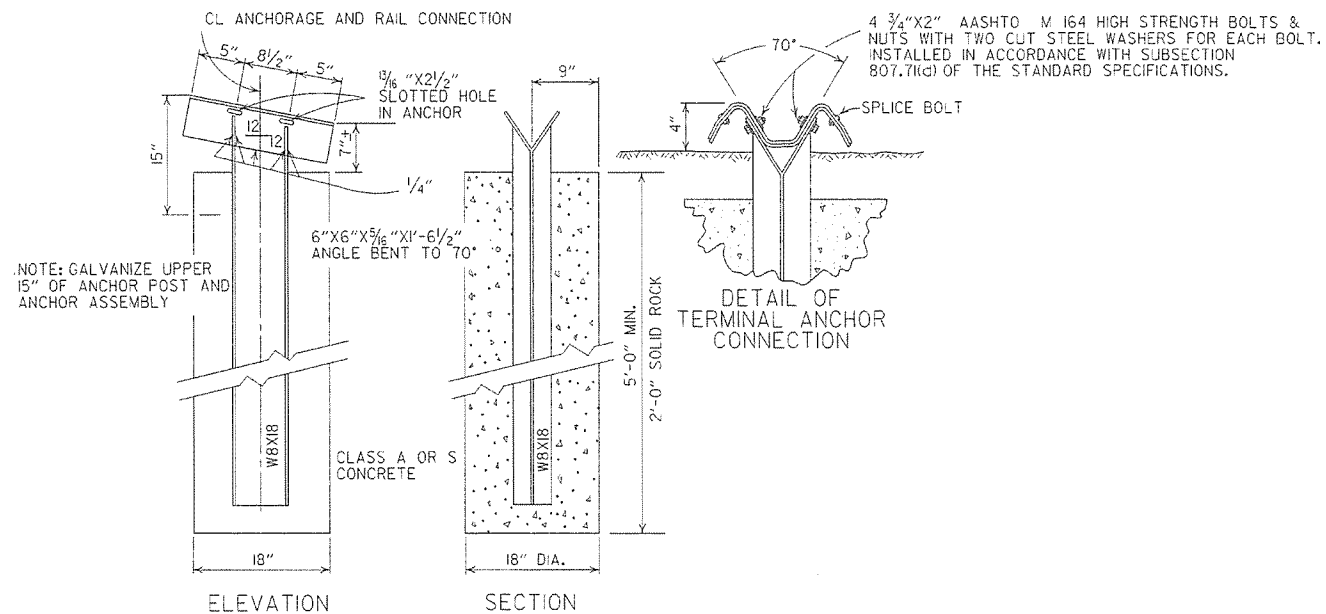
ELEVATION - GUARD RAIL TERMINAL (TYPE I)

NOTE:
SECTIONS 1 AND 2 OF GUARD RAIL TERMINAL SHALL BE PAID FOR AT THE PRICE BID PER LINEAR FOOT OF THE TYPE OF GUARD RAIL SPECIFIED.



SECTION I

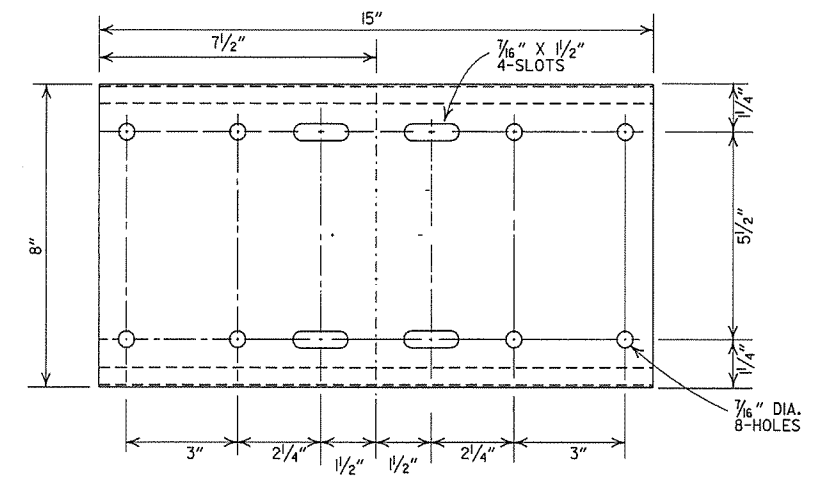
TERMINAL SECTION



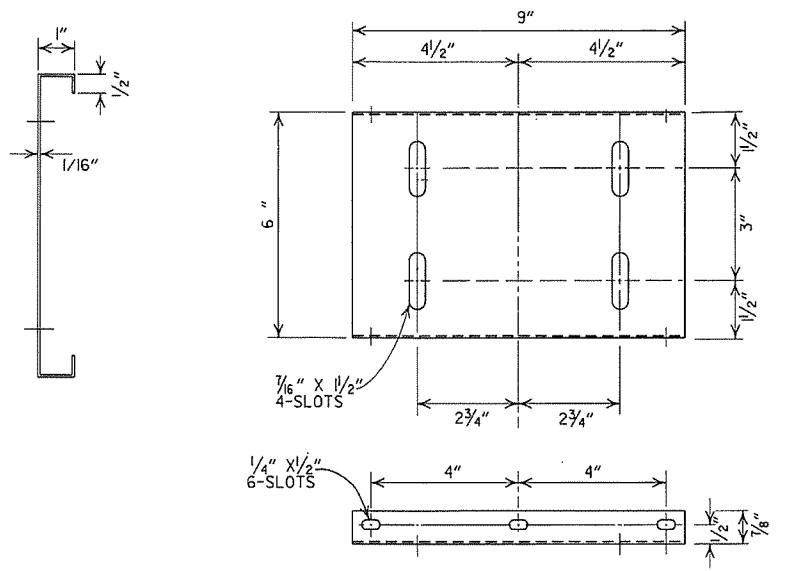
DETAIL OF TERMINAL ANCHOR POST (TYPE I)

NOTE: GALVANIZE UPPER 15" OF ANCHOR POST AND ANCHOR ASSEMBLY
NOTE: RAIL MEMBERS MAY BE BOLTED TO ANGLE AT TERMINAL ANCHOR AND THE TWO ASSEMBLIES POSITIONED TO PROPER ALIGNMENT PRIOR TO PLACING CONCRETE AROUND B W 17 POST IF CONTRACTOR SO DESIRES.

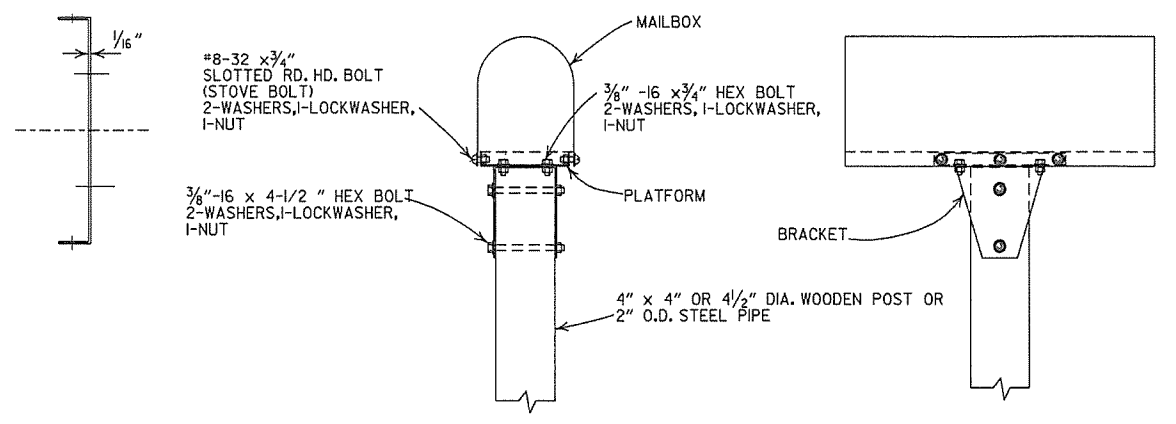
		ARKANSAS STATE HIGHWAY COMMISSION
		GUARD RAIL DETAILS
		STANDARD DRAWING GRT-1
7-14-10	RAISED HEIGHT OF GUARD RAIL 1"	
6-26-97	REVISED LAP NOTE	
10-18-96	REVISED ASTV REF. TO AASHTO	
11-3-94	DIMENSION TERMINAL DETAIL	
11-11-92	ADDED NOTE FOR PAYMENT	11-11-92
10-1-92	DRAWN & ISSUED	10-1-92
DATE	REVISION	DATE/FILM



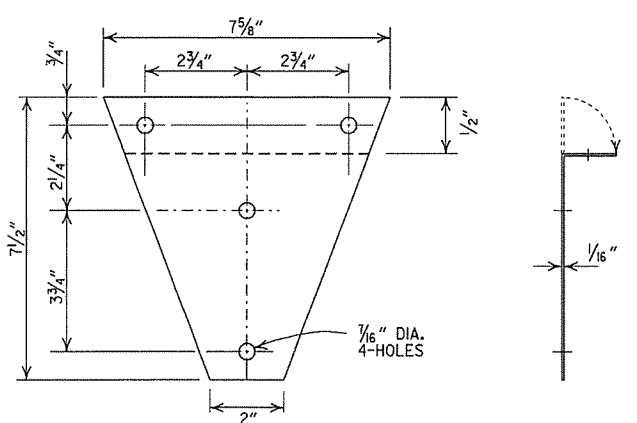
SHELF



PLATFORM

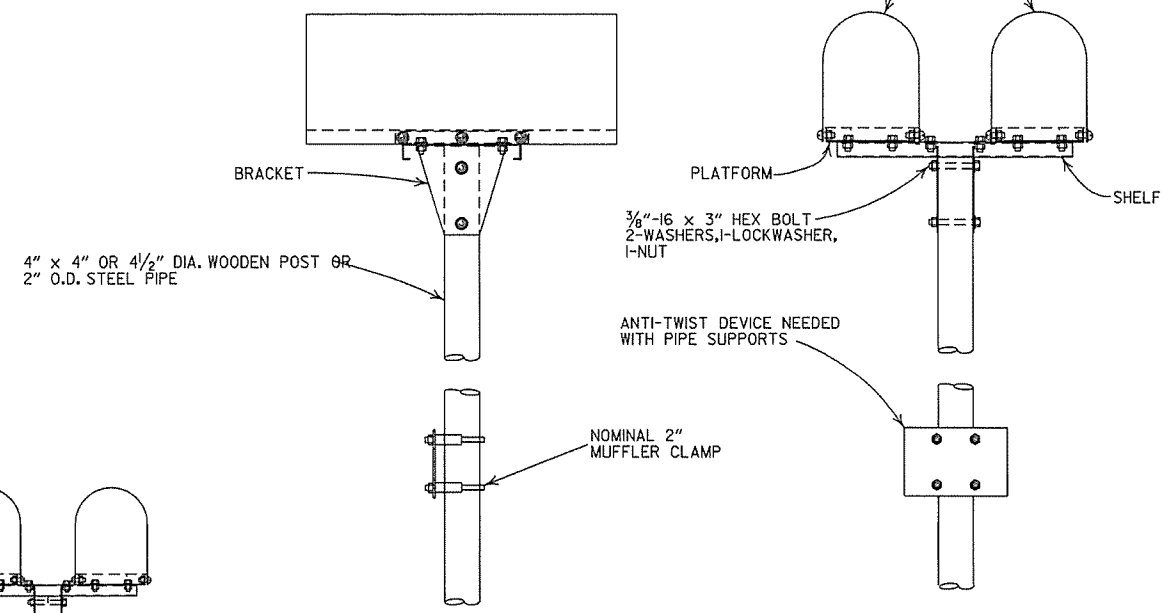


SINGLE INSTALLATION

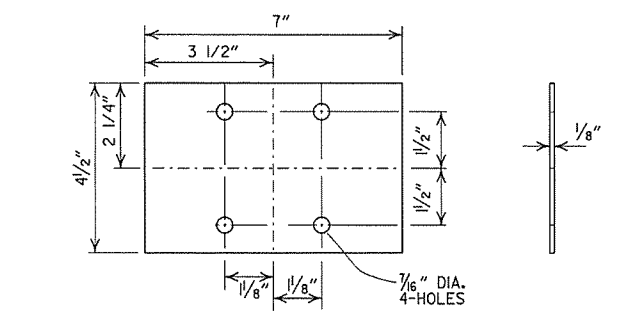


BRACKET

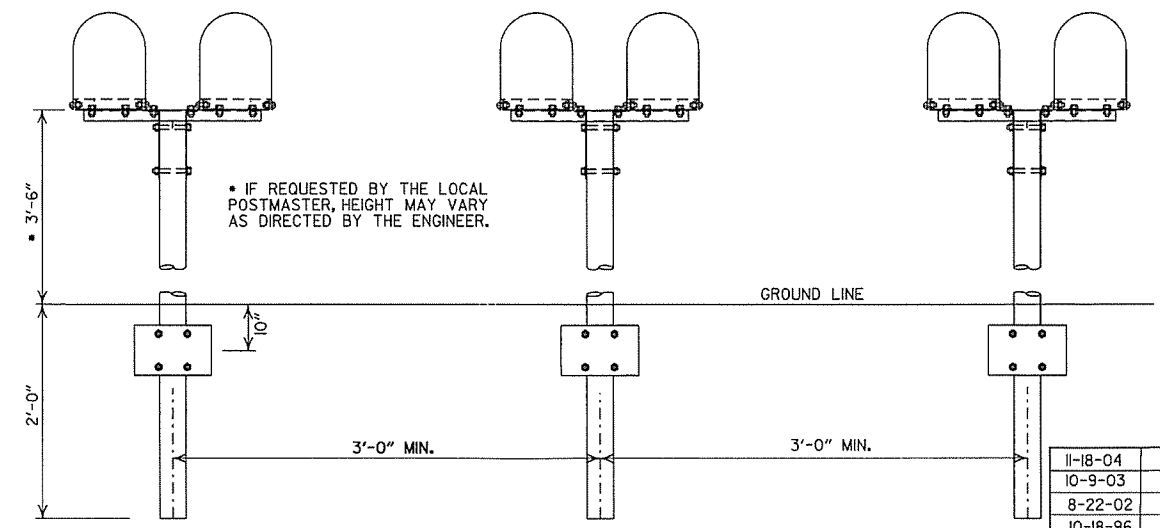
- GENERAL NOTES
1. MAILBOX POSTS MAY BE WOOD OR METAL. WOOD POSTS SHALL BE PRESSURE TREATED FOR GROUND CONTACT IN ACCORDANCE WITH SECTION 637.02 OF THE STANDARD SPECIFICATIONS.
 2. ANTI-TWIST PLATES SHALL BE USED ONLY ON METAL POSTS.
 3. MAILBOX SHELF, BRACKET & PLATFORM SHALL BE GALVANIZED OR PAINTED STEEL, HOWEVER TREATED WOOD MAY BE USED WITH WOODEN POSTS. THE WOODEN SHELF, BRACKET & PLATFORM SHALL BE A MINIMUM OF 1/4" THICK AND SHALL BE ASSEMBLED WITH BOLTS OF THE APPROPRIATE LENGTH WITH SIX 8 x 3/4" FLATHEAD WOOD SCREWS USED TO ATTACH THE MAILBOX TO THE PLATFORM.
 4. THE MAILBOX SHELF AND PLATFORM THAT IS SHOWN IS FOR STANDARD SIZE MAILBOXES. THE SHELF AND PLATFORM SIZE SHALL BE MODIFIED TO FIT MAILBOXES OF A DIFFERENT SIZE.
 5. METAL PIPE FOR MAILBOX SUPPORT SHALL BE 2" OUTSIDE DIAMETER STEEL WITH A WALL THICKNESS OF 0.145" AND A WEIGHT OF 2.72 LBS PER FT. OUTSIDE DIAMETER AND WEIGHT SHALL HAVE A TOLERANCE OF +/- 5% ACCORDING TO AASHTO M 181.
 6. MAILBOX SUPPORT SYSTEM DIFFERING FROM THOSE SHOWN MAY BE USED, PROVIDED THEY ARE ON THE AHTD QUALIFIED PRODUCTS LIST FOR MAILBOX SUPPORTS.



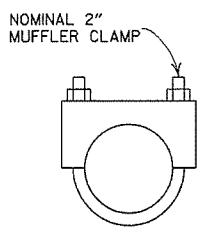
DOUBLE INSTALLATION



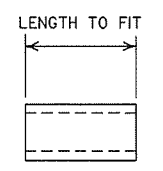
ANTI-TWIST PLATE



SPACING FOR MULTIPLE POST INSTALLATION



CLAMP



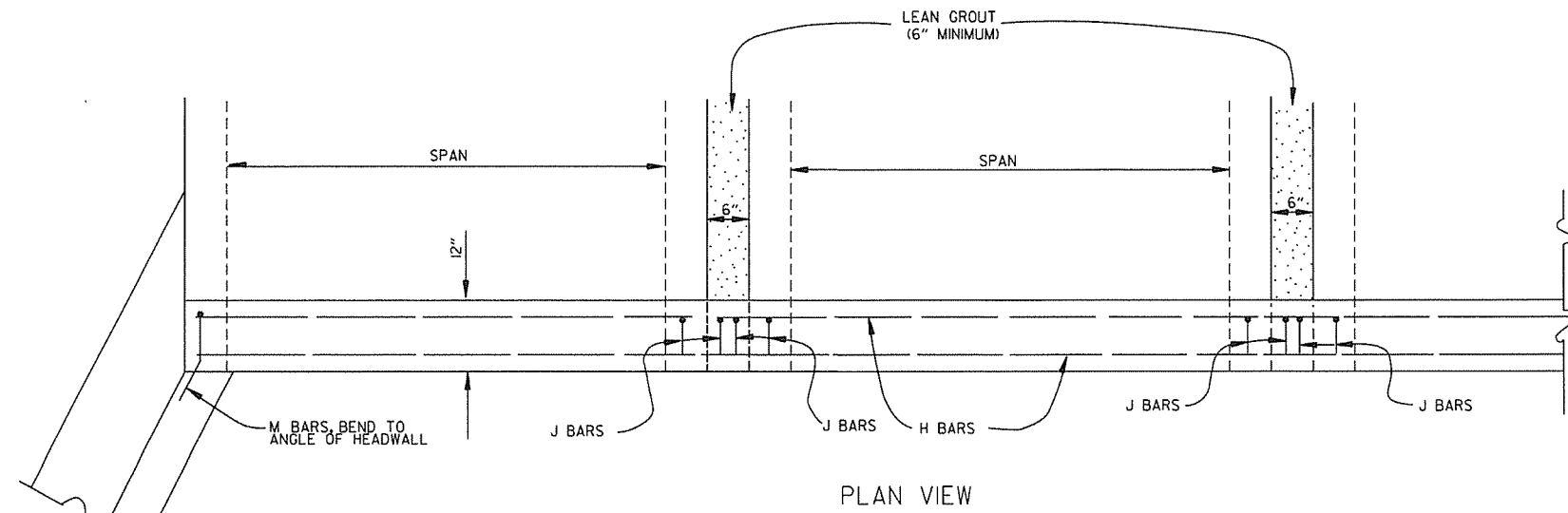
SPACER

11-18-04		REVISED NOTES
10-9-03		REVISED NOTE 6
8-22-02		REVISED NOTE 6
10-18-96		CORRECTED AASHTO
10-1-92		CORRECTED SPELLING
9-26-91		NEW PHONE NUMBER
8-15-91		ADDED NOTE
11-30-89		ADJUSTED HEIGHT & ADDED NOTE
2-16-89		DELETED SLOTS FROM SHELF & PLTF
11-17-88	10-1-92	ADJUSTED DIMENSIONS OF STEEL POSTS
7-15-88	120-7-15-88	ISSUED
DATE	FILMED	REVISION

ARKANSAS STATE HIGHWAY COMMISSION

MAILBOX DETAILS

STANDARD DRAWING MB-1



BAR LIST

BAR	NO.	SIZE	LENGTH	BAR BENDING DIAGRAM
H	2	#4	•	
I	•	#4	•	
J	•	#4	1'-5"	
L	•	#4	3'-2"	
M	•	#4	1'-8"	

• NOTE: LENGTH AND NUMBER OF BARS VARIES WITH SIZE OF CULVERT

GENERAL NOTES

WINGS, CURTAIN WALLS AND APRONS SHALL BE TIED TO THE PRECAST CULVERT SECTION BY CASTING BARS IN CULVERT END SECTIONS AS SHOWN OR BY DOWELING AND GROUTING. J BARS AND M BARS SHALL BE EMBEDDED A MINIMUM OF 10" IN PRECAST BOX.

WINGS, FOOTINGS, APRONS AND CURTAIN WALLS SHALL BE CONSTRUCTED IN ACCORDANCE WITH THE APPLICABLE WING DRAWING. STEEL AND CONCRETE QUANTITIES WILL BE ADJUSTED TO FIT THE IN-PLACE WIDTH & HEIGHT OF THE PRECAST CONCRETE BOX CULVERTS.

ALL EXPOSED CORNERS TO HAVE 3/4" CHAMFERS.

WINGWALLS AND FOOTINGS MAY BE ADJUSTED IN THE FIELD AS DIRECTED BY THE ENGINEER.

ALL CONCRETE, REINFORCING STEEL, LEAN GROUT, MEMBRANE WATERPROOFING, DRAINAGE FILL MATERIAL, GEOTEXTILE FILTER FABRIC, LABOR, MATERIALS AND EQUIPMENT REQUIRED FOR INSTALLING PRECAST BOX CULVERTS WILL NOT BE PAID FOR DIRECTLY BUT WILL BE CONSIDERED TO BE INCLUDED IN THE PRICE BID FOR THE ITEMS AS SPECIFIED IN SECTION 607 OF THE STANDARD SPECIFICATIONS.

LEAN GROUT SHALL CONSIST OF A SAND CEMENT MIXTURE MEETING THE FOLLOWING REQUIREMENTS:
 PORTLAND CEMENT SHALL BE TYPE I AND SHALL MEET THE REQUIREMENTS OF AASHTO M 85.
 SAND SHALL MEET THE REQUIREMENTS OF FINE AGGREGATE AS SPECIFIED IN SECTION 802.02 OF THE STANDARD SPECIFICATIONS. THE SAND CEMENT MIXTURE SHALL CONSIST OF NOT LESS THAN 1.5 SACKS OF PORTLAND CEMENT PER TON OF MATERIAL MIXTURE. THE MIXTURE SHALL CONTAIN SUFFICIENT WATER TO HYDRATE THE CEMENTS. THE SAND CEMENT MIXTURE SHALL BE PLACED IN MAXIMUM 8 INCH THICK LIFTS, LOOSE MEASURE, AND THOROUGHLY RODDED AND TAMPED AROUND BOX TO THOROUGHLY FILL ALL VOIDS.

MEMBRANE WATERPROOFING CONFORMING TO THE REQUIREMENTS OF SECTION 815 OF THE STANDARD SPECIFICATIONS SHALL BE APPLIED TO ALL BOX CULVERT JOINTS.

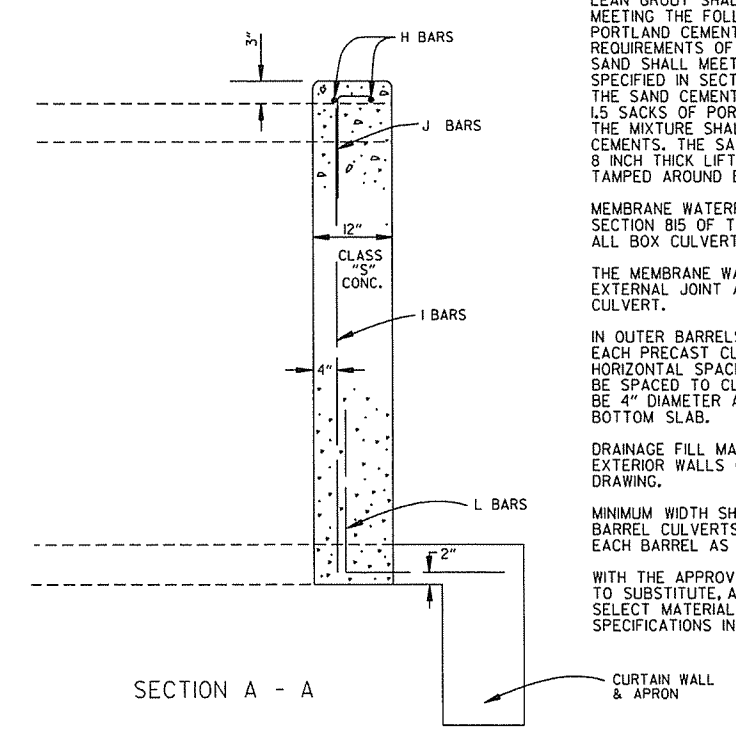
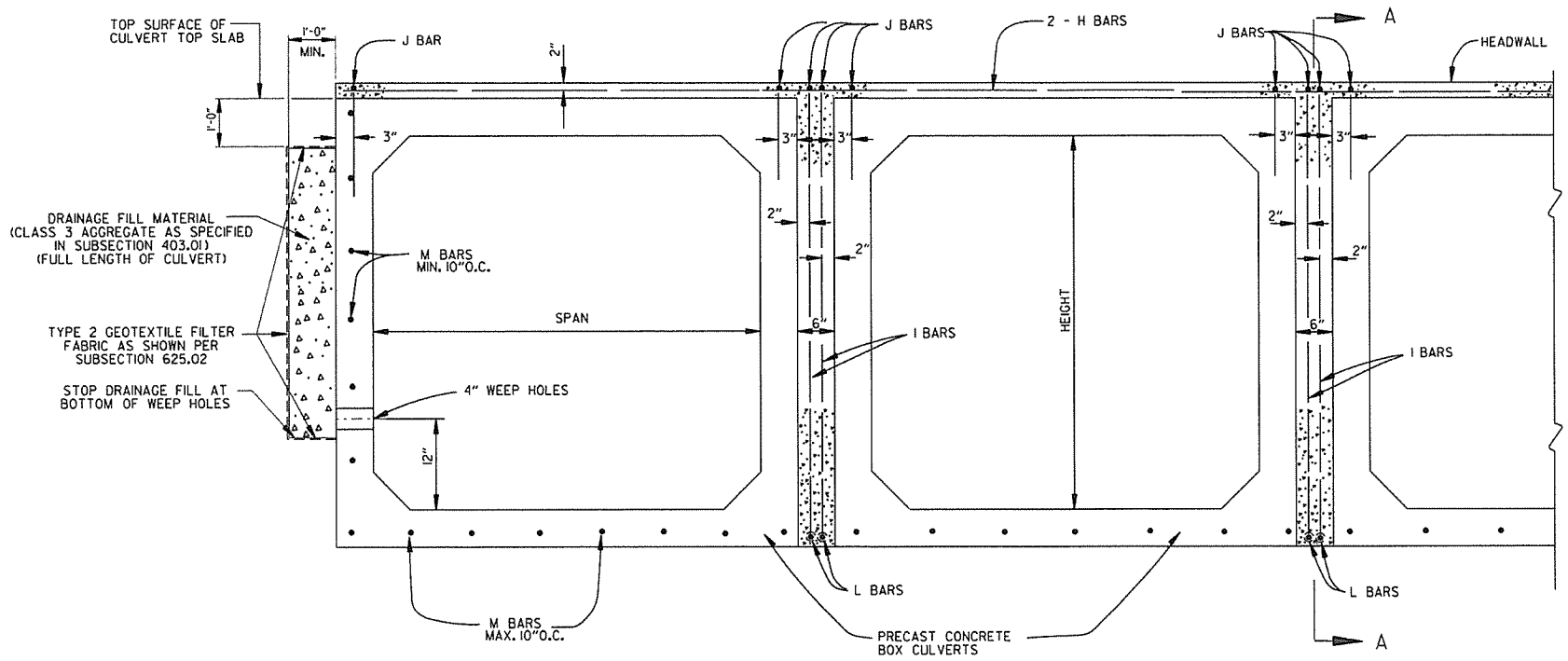
THE MEMBRANE WATERPROOFING WILL BE REQUIRED ON THE TOP EXTERNAL JOINT AND SHALL EXTEND 1 FOOT DOWN THE SIDES OF THE CULVERT.

IN OUTER BARRELS, ONE WEEP HOLE IS REQUIRED IN EXTERIOR WALLS OF EACH PRECAST CULVERT SECTION. WEEP HOLES SHALL HAVE A MAXIMUM HORIZONTAL SPACING OF 10'-0" IN THE ASSEMBLED CULVERT AND SHALL BE SPACED TO CLEAR ALL REINFORCING STEEL. THE DRAIN OPENING SHALL BE 4" DIAMETER AND SHALL BE PLACED 12" ABOVE THE TOP OF THE BOTTOM SLAB.

DRAINAGE FILL MATERIAL WITH GEOTEXTILE FABRIC IS REQUIRED AT THE EXTERIOR WALLS OF THE ASSEMBLED CULVERT. SEE DETAILS ON THIS DRAWING.

MINIMUM WIDTH SHALL BE 12" (6" ON EACH SIDE OF JOINT). ON MULTIPLE BARREL CULVERTS, MEMBRANE WATERPROOFING SHALL BE APPLIED TO EACH BARREL AS DESCRIBED ABOVE.

WITH THE APPROVAL OF THE ENGINEER, THE CONTRACTOR WILL BE ALLOWED TO SUBSTITUTE, AT NO ADDITIONAL COST TO THE DEPARTMENT, FLOWABLE SELECT MATERIAL CONFORMING TO SECTION 206 OF THE STANDARD SPECIFICATIONS IN LIEU OF LEAN GROUT.



END VIEW

SECTION A - A

12-15-11	ADDED NOTE & DTLS FOR WEEP HOLE AND DRAINAGE FILL	
10-15-09	ADDED GENERAL NOTE	
11-10-05	REVISED SPACING OF "M" BARS	
4-10-03	REVISED GENERAL NOTES	
10-18-96	CORRECTED AASHTO REF.	
10-1-92	ADDED NOTE FOR MEMBRANE WATERPROOFING	
8-15-91	ADDED NOTE FOR LEAN GROUT	
11-8-90	REVISED FOR 1991 SPECS	
11-30-89	ISSUED; JABE	
DATE	REVISION	DATE FILMED

ARKANSAS STATE HIGHWAY COMMISSION

PRECAST CONCRETE BOX CULVERTS

STANDARD DRAWING PBC-1

REINFORCED CONCRETE ARCH PIPE DIMENSIONS

EQUIV. DIA.	SPAN		RISE	
	AASHTO M 206	AHTD NOMINAL	AASHTO M 206	AHTD NOMINAL
INCHES	INCHES			
15	18	18	11	11
18	22	22	13½	14
21	26	26	15½	16
24	28½	29	18	18
30	36¼	36	22½	23
36	43¾	44	26¾	27
42	51½	51	31¾	31
48	58½	59	36	36
54	65	65	40	40
60	73	73	45	45
72	88	88	54	54
84	102	102	62	62
90	115	115	72	72
96	122	122	77½	77
108	138	138	87½	87
120	154	154	96¾	97
132	168¾	169	106½	107

THE MEASURED SPAN AND RISE SHALL NOT VARY MORE THAN ± 2 PERCENT FROM THE VALUES SPECIFIED BY AASHTO M206.

REINFORCED CONCRETE HORIZONTAL ELLIPTICAL PIPE DIMENSIONS

EQUIV. DIA.	AASHTO M 207	
	SPAN	RISE
INCHES	INCHES	
18	23	14
24	30	19
27	34	22
30	38	24
33	42	27
36	45	29
39	49	32
42	53	34
48	60	38
54	68	43
60	76	48
66	83	53
72	91	58
78	98	63
84	106	68

THE MEASURED SPAN AND RISE SHALL NOT VARY MORE THAN ± 2 PERCENT FROM THE VALUES SPECIFIED BY AASHTO M207.

CONSTRUCTION SEQUENCE

1. PLACE STRUCTURAL BEDDING MATERIAL TO GRADE. DO NOT COMPACT.
2. INSTALL PIPE TO GRADE.
3. COMPACT STRUCTURAL BEDDING OUTSIDE THE MIDDLE THIRD OF THE PIPE.
4. PLACE AND COMPACT THE HAUNCH AREA UP TO THE MIDDLE OF THE PIPE.
5. COMPLETE BACKFILL ACCORDING TO SUBSECTION 606.03.(f)(i).

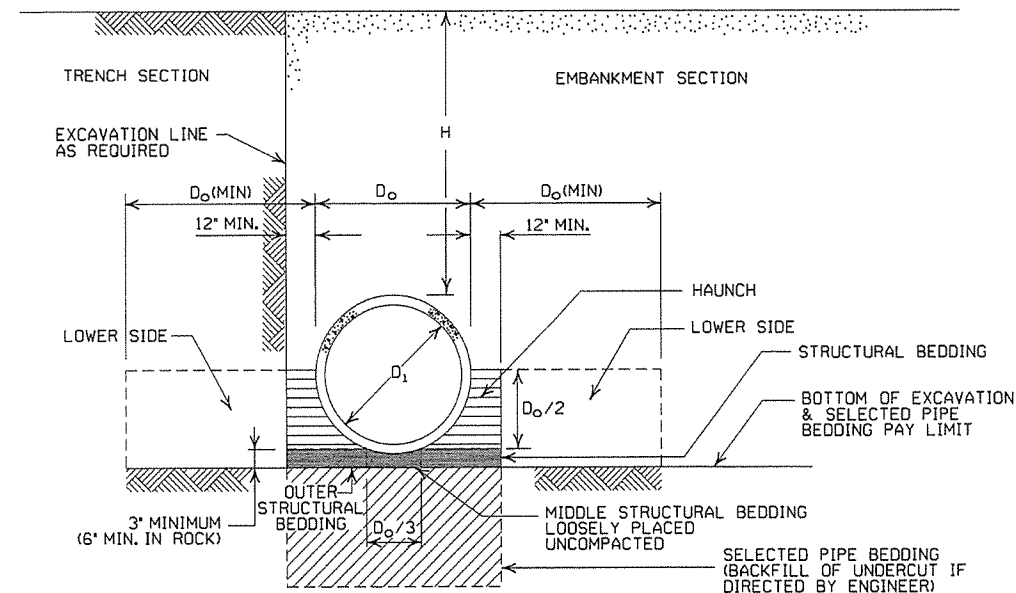
NOTE: HAUNCH AND STRUCTURAL BEDDING MATERIAL WILL NOT BE PAID FOR SEPARATELY, BUT COMPENSATION WILL BE CONSIDERED TO BE INCLUDED IN THE PRICE BID PER LINEAR FOOT OF CONCRETE PIPE.

- LEGEND -

- D_i = NORMAL INSIDE DIAMETER OF PIPE
- D_o = OUTSIDE DIAMETER OF PIPE
- H = FILL COVER HEIGHT OVER PIPE (FEET)
- MIN. = MINIMUM
- UNDISTURBED SOIL

INSTALLATION TYPE	MATERIAL REQUIREMENTS FOR HAUNCH AND STRUCTURAL BEDDING
TYPE 1	AGGREGATE BASE COURSE (CLASS 5 OR CLASS 7)
TYPE 2	SELECTED MATERIALS (CLASS SM-1, SM-2, OR SM-4) OR TYPE 1 INSTALLATION MATERIAL*
TYPE 3**	AASHTO CLASSIFICATION A-1 THRU A-6 SOIL OR TYPE 1 OR 2 INSTALLATION MATERIAL

* SM-3 WILL NOT BE ALLOWED.
** MATERIALS SHALL NOT INCLUDE ORGANIC MATERIALS OR STONES LARGER THAN 3 INCHES.



EMBANKMENT AND TRENCH INSTALLATIONS

1. MATERIAL IN THE HAUNCH AND OUTER STRUCTURAL BEDDING SHALL BE COMPACTED TO 95% OF THE MAXIMUM DENSITY ACCORDING TO THE TYPE OR CLASS OF MATERIAL USED.
2. FOR TRENCHES WITH WALLS OF NATURAL SOIL, THE DENSITY OF THE SOIL IN THE LOWER SIDE ZONE SHALL BE AS FIRM AS THE 95% DENSITY REQUIRED FOR THE HAUNCH. IF THE EXISTING SOIL DOES NOT MEET THIS CRITERIA, IT SHALL BE REMOVED AND RECOMPACTED TO 95% OF THE MAXIMUM DENSITY ACCORDING TO THE TYPE OF MATERIAL USED.
3. FOR EMBANKMENTS, THE MATERIAL IN THE LOWER SIDE ZONE SHALL BE COMPACTED TO 95% OF THE MAXIMUM DENSITY ACCORDING TO THE TYPE OR CLASS OF MATERIAL USED.

GENERAL NOTES

1. CONCRETE PIPE CULVERT CONSTRUCTION SHALL CONFORM TO ARKANSAS STATE HIGHWAY AND TRANSPORTATION DEPARTMENT STANDARD SPECIFICATIONS FOR HIGHWAY CONSTRUCTION (CURRENT EDITION), WITH APPLICABLE SUPPLEMENTAL SPECIFICATIONS AND SPECIAL PROVISIONS, UNLESS OTHERWISE NOTED IN THE PLANS, SECTION AND SUBSECTION REFER TO THE STANDARD CONSTRUCTION SPECIFICATIONS.
2. CONCRETE PIPE CULVERT DESIGN SHALL CONFORM TO AASHTO LRFD BRIDGE DESIGN SPECIFICATIONS, FIFTH EDITION (2010) WITH 2010 INTERIMS.
3. ALL PIPE SHALL CONFORM TO SECTION 606. CIRCULAR R.C. PIPE CULVERTS SHALL CONFORM TO AASHTO M170, R.C. ARCH PIPE CULVERTS SHALL CONFORM TO AASHTO M206 AND HORIZONTAL ELLIPTICAL PIPE CULVERTS SHALL CONFORM TO AASHTO M207.
4. ALL PIPE SHALL BE PROTECTED DURING CONSTRUCTION BY A COVER SUFFICIENT TO PREVENT DAMAGE FROM PASSAGE OF EQUIPMENT.
5. THE MINIMUM TRENCH WIDTH SHALL BE THE OUTSIDE DIAMETER OF THE PIPE PLUS 24 INCHES. THE MAXIMUM ALLOWABLE TRENCH WIDTH SHALL BE THE MINIMUM WIDTH PRACTICABLE FOR WORKING CONDITIONS.
6. MULTIPLE PIPE CULVERTS SHALL BE INSTALLED WITH A MINIMUM CLEARANCE OF 24 INCHES BETWEEN STRINGS OF PIPE. REFER TO STD. DWG. FES-2 FOR MINIMUM CLEARANCE WHERE FLARED END SECTIONS ARE USED.
7. IMPERVIOUS MATERIAL SHOULD BE PLACED AS DIRECTED BY THE ENGINEER AT THE ENDS OF THE CULVERT TO PREVENT LOSS OF STRUCTURAL BEDDING WHEN PERVIOUS MATERIAL IS USED FOR STRUCTURAL BEDDING AND/OR BACKFILL.
8. NOT MORE THAN ONE LIFTING HOLE MAY BE PROVIDED IN CONCRETE PIPE TO FACILITATE HANDLING. HOLE MAY BE CAST IN PLACE, CUT INTO THE FRESH CONCRETE AFTER FORMS ARE REMOVED, OR DRILLED. THE HOLE SHALL NOT BE MORE THAN TWO INCHES IN DIAMETER OR TWO INCHES SQUARE. CUTTING OR DISPLACEMENT OF REINFORCEMENT WILL NOT BE PERMITTED. SPALLED AREAS AROUND THE HOLE SHALL BE REPAIRED IN A WORKMANLIKE MANNER. LIFTING HOLE SHALL BE FILLED WITH MORTAR, CONCRETE, OR OTHER METHOD AS APPROVED BY THE ENGINEER.
9. WHEN DIRECTED BY THE ENGINEER, UNSUITABLE MATERIAL THAT IS ENCOUNTERED AT THE BOTTOM OF THE EXCAVATED TRENCH (BELOW THE AREA IDENTIFIED AS "STRUCTURAL BEDDING" ABOVE) WILL BE EXCAVATED AND REPLACED WITH SELECTED PIPE BEDDING. THE QUANTITY OF MATERIAL REQUIRED TO BACKFILL THE UNDERCUT AREA UP TO THE SELECTED PIPE BEDDING PAY LIMIT DESIGNATED ABOVE WILL BE MEASURED AND PAID FOR AS "SELECTED PIPE BEDDING."
10. WHEN THE EXISTING MATERIAL EXCAVATED FOR THE PIPE TRENCH IS DETERMINED BY THE ENGINEER TO BE UNSUITABLE FOR BACKFILLING THE PIPE (ABOVE THE AREA IDENTIFIED ABOVE AS THE HAUNCH), BORROW MATERIAL OR MATERIAL FROM THE ROADWAY EXCAVATION WILL BE USED TO BACKFILL THE PIPE. IF SUITABLE MATERIAL IS NOT AVAILABLE, THE ENGINEER MAY AUTHORIZE THE USE OF "SELECTED PIPE BACKFILL."

MINIMUM HEIGHT OF FILL "H" OVER CIRCULAR R.C. PIPE CULVERTS

INSTALLATION TYPE	CLASS OF PIPE			
	CLASS III		CLASS IV	CLASS V
PIPE ID (IN.)	FEET			
12-15	2	2.5	2	1
18-24	2.5	3	2	1
27-33	3	4	2	1
36-42	3.5	5	2	1
48	4.5	5.5	2	1
54-60	5	7	2	1
66-78	6	8	2	1
84-108	7.5	8	2	1

NOTE: FOR MINIMUM COVER VALUES, "H" SHALL INCLUDE A MINIMUM OF 12" OF PAVEMENT AND/OR BASE.

MAXIMUM HEIGHT OF FILL "H" OVER CIRCULAR R.C. PIPE CULVERTS

INSTALLATION TYPE	CLASS OF PIPE		
	CLASS III	CLASS IV	CLASS V
TYPE 1	21	32	50
TYPE 2	16	25	39
TYPE 3	12	20	30

NOTE: IF FILL HEIGHT EXCEEDS 50 FEET, A SPECIAL DESIGN CONCRETE PIPE WILL BE REQUIRED USING TYPE 1 INSTALLATION.

MINIMUM HEIGHT OF FILL "H" OVER R.C. ARCH & HORIZONTAL ELLIPTICAL PIPE CULVERTS

INSTALLATION TYPE	CLASS OF PIPE	
	CLASS III	CLASS IV
TYPE 2 OR TYPE 3	FEET	
	2.5	1.5

NOTE: TYPE 1 INSTALLATION WILL NOT BE ALLOWED FOR ARCH & HORIZONTAL ELLIPTICAL PIPE CULVERTS.

NOTE: FOR MINIMUM COVER VALUES, "H" SHALL INCLUDE A MINIMUM OF 12" OF PAVEMENT AND/OR BASE.

MAXIMUM HEIGHT OF FILL "H" OVER R.C. ARCH & HORIZONTAL ELLIPTICAL PIPE CULVERTS

INSTALLATION TYPE	CLASS OF PIPE	
	CLASS III	CLASS IV
TYPE 2	13	21
TYPE 3	10	16

NOTE: TYPE 1 INSTALLATION WILL NOT BE ALLOWED FOR ARCH & HORIZONTAL ELLIPTICAL PIPE CULVERTS.

DATE	ISSUED	REVISION	DATE FILMED
2-27-14	REVISED GENERAL NOTE 1.		
12-15-11	REVISED FOR LRFD DESIGN SPECIFICATIONS		
5-18-00	REVISED TYPE 3 BEDDING & ADDED NOTE		
3-30-00	REVISED INSTALLATIONS		
11-06-97	ISSUED		

ARKANSAS STATE HIGHWAY COMMISSION

CONCRETE PIPE CULVERT FILL HEIGHTS & BEDDING

STANDARD DRAWING PCC-1



CORRUGATED STEEL PIPE (ROUND)

PIPE DIAMETER (INCHES)	MINIMUM COVER TOP OF PIPE TO TOP OF GROUND "H" (FEET)	MAX. FILL HEIGHT "H" ABOVE TOP OF PIPE (FEET)				
		METAL THICKNESS (INCHES)				
		0.064	0.079	0.109	0.138	0.168
2 3/4 INCH BY 1/2 INCH CORRUGATION RIVETED, WELDED, OR HELICAL LOCK-SEAM						
12	1	84	91			
15	1	67	73			
18	1	56	61			
24	1	42	46	59		
30	2	34	36	47		
36	2		30	39	41	
42	2		43	67	70	73
48	2		37	58	61	64
3 INCH BY 1 INCH OR 5 INCH BY 1 INCH CORRUGATION RIVETED, WELDED, BOLTED, OR HELICAL LOCK-SEAM						
36	1	48	60	88	111	118
42	1	41	51	72	90	102
48	1	36	45	64	77	85
54	2	32	40	59	71	79
60	2	29	36	53	64	71
66	2	26	33	47	58	64
72	2	24	30	44	53	59
78	2		28	41	49	54
84	2		26	38	45	51
90	2		24	35	43	45
96	2		22	33	40	44
102	2			31	38	42
108	2			30	35	39
114	2			28	34	37
120	2			27	32	35

CORRUGATED ALUMINUM PIPE (ROUND)

PIPE DIAMETER (INCHES)	MINIMUM COVER TOP OF PIPE TO TOP OF GROUND "H" (FEET)	MAX. FILL HEIGHT "H" ABOVE TOP OF PIPE (FEET)				
		METAL THICKNESS IN INCHES				
		0.060	0.075	0.105	0.135	0.164
2 3/4 INCH BY 1/2 INCH CORRUGATION RIVETED OR HELICAL LOCK-SEAM						
12	1	45	45			
18	2	30	30	52		
24	2	22	22	39	41	
30	2		18	31	32	34
36	2,5		15	26	27	28
42	2			43	43	44
48	2			40	41	43
54	2			35	37	38
60	2				33	34
66	2					31
72	2					29

CORRUGATED METAL PIPE ARCHES

EQUIV. DIA. (INCHES)	PIPE DIMENSION SPAN X RISE (INCHES)	MINIMUM CORNER RADIUS (INCHES)	STEEL				ALUMINUM			
			MIN. THICKNESS INCHES	MIN. HEIGHT OF FILL, "H" (FT.)		MIN. THICKNESS INCHES	MIN. HEIGHT OF FILL, "H" (FT.)			
				INSTALLATION			INSTALLATION			
				TYPE 1	TYPE 1		TYPE 1	TYPE 1		
2 3/4 INCH BY 1/2 INCH CORRUGATION RIVETED, WELDED, OR HELICAL LOCK-SEAM										
15	17x13	3	0.064	2	15	0.060	2	15		
18	21x15	3	0.064	2	15	0.060	2	15		
21	24x18	3	0.064	2,25	15	0.060	2,25	15		
24	28x20	3	0.064	2,5	15	0.075	2,5	15		
30	35x24	3	0.079	3	12	0.075	3	12		
36	42x29	3 1/2	0.079	3	12	0.105	3	12		
42	49x33	4	0.079	3	12	0.105	3	12		
48	57x38	5	0.109	3	13	0.135	3	13		
54	64x43	6	0.109	3	14	0.135	3	14		
60	71x47	7	0.138	3	15	0.164	3	15		
66	77x52	8	0.168	3	15					
72	83x57	9	0.168	3	15					
3 INCH BY 1 INCH OR 5 INCH BY 1 INCH CORRUGATION RIVETED, WELDED, OR HELICAL LOCK-SEAM										
			INSTALLATION		INSTALLATION					
			TYPE 2	TYPE 1	TYPE 2	TYPE 1				
36	40x31	5	0.079	3	2	12	15			
42	46x36	6	0.079	3	2	13	15			
48	53x41	7	0.079	3	2	13	15			
54	60x46	8	0.079	3	2	13	15			
60	66x51	9	0.079	3	2	13	15			
66	73x55	12	0.079	3	2	15	15			
72	81x59	14	0.079	3	2	15	15			
78	87x63	14	0.079	3	2	15	15			
84	95x67	16	0.109	3	2	15	15			
90	103x71	16	0.109	3	2	15	15			
96	112x75	18	0.109	3	2	15	15			
102	117x79	18	0.109	3	2	15	15			
108	128x83	18	0.138	3	2	15	15			

CONSTRUCTION SEQUENCE

1. PLACE STRUCTURAL BEDDING MATERIAL TO GRADE. DO NOT COMPACT.
2. INSTALL PIPE TO GRADE.
3. COMPACT STRUCTURAL BEDDING OUTSIDE THE MIDDLE THIRD OF THE PIPE.
4. COMPLETE STRUCTURAL BACKFILL OPERATION BY WORKING FROM SIDE TO SIDE OF THE PIPE. THE SIDE TO SIDE STRUCTURAL BACKFILL DIFFERENTIAL SHALL NOT EXCEED 24 INCHES OR 1/3 THE SIZE OF THE PIPE, WHICHEVER IS LESS.

NOTE: STRUCTURAL BACKFILL AND STRUCTURAL BEDDING MATERIAL WILL NOT BE PAID FOR SEPARATELY, BUT COMPENSATION WILL BE CONSIDERED TO BE INCLUDED IN THE PRICE BID PER LINEAR FOOT OF METAL PIPE.

INSTALLATION TYPE	MATERIAL REQUIREMENTS FOR STRUCTURAL BACKFILL AND STRUCTURAL BEDDING
TYPE 1	AGGREGATE BASE COURSE (CLASS 4, 5, 6, OR 7)
TYPE 2	SELECTED MATERIALS (CLASS SM-1, SM-2, OR SM-4) OR TYPE 1 INSTALLATION MATERIAL ③

③ SM-3 WILL NOT BE ALLOWED.

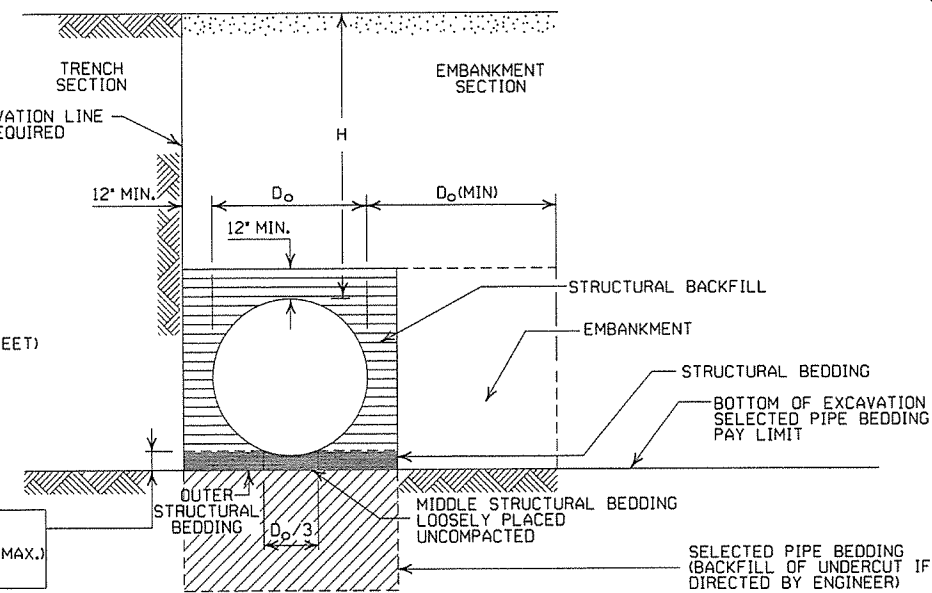
EQUIVALENT METAL THICKNESSES AND GAUGES

METAL THICKNESS IN INCHES			GAUGE NUMBER
STEEL			
ZINC COATED	UNCOATED	ALUMINUM	
0.064	0.0598	0.060	16
0.079	0.0747	0.075	14
0.109	0.1046	0.105	12
0.138	0.1345	0.135	10
0.168	0.1644	0.164	8

- LEGEND -

- D_o = OUTSIDE DIAMETER OF PIPE
- MAX. = MAXIMUM
- MIN. = MINIMUM
- [Symbol] = STRUCTURAL BACKFILL MATERIAL
- [Symbol] = UNDISTURBED SOIL
- EQUIV. DIA. = EQUIVALENT DIAMETER
- H = FILL COVER HEIGHT OVER PIPE (FEET)

IN SOIL - MIN. EQUALS TWICE CORRUGATION DEPTH
 IN ROCK - MIN. EQUALS GREATER OF:
 1/2' PER FOOT OF FILL OVER PIPE (24' MAX.)
 TWICE CORRUGATION DEPTH



EMBANKMENT AND TRENCH INSTALLATIONS

1. STRUCTURAL BACKFILL, EMBANKMENT, AND OUTER STRUCTURAL BEDDING MATERIAL SHALL BE COMPACTED TO 95% OF THE MAXIMUM DENSITY ACCORDING TO THE TYPE OR CLASS OF MATERIAL USED.
2. INSTALLATION TYPE 1 OR 2 MAY BE USED FOR CORRUGATED STEEL OR ALUMINUM PIPE (ROUND).
3. INSTALLATION TYPE 1 SHALL BE USED FOR CORRUGATED STEEL OR ALUMINUM PIPE ARCHES WITH 2 3/4" X 1/2" CORRUGATION.
4. INSTALLATION TYPE 1 OR 2 MAY BE USED FOR CORRUGATED STEEL OR ALUMINUM PIPE ARCHES WITH 3" X 1" OR 5" X 1" CORRUGATION.

GENERAL NOTES

1. METAL PIPE CULVERT CONSTRUCTION SHALL CONFORM TO ARKANSAS STATE HIGHWAY AND TRANSPORTATION DEPARTMENT STANDARD SPECIFICATIONS FOR HIGHWAY CONSTRUCTION (CURRENT EDITION), WITH APPLICABLE SUPPLEMENTAL SPECIFICATIONS AND SPECIAL PROVISIONS. UNLESS OTHERWISE NOTED IN THE PLANS, SECTION AND SUBSECTION REFER TO THE STANDARD CONSTRUCTION SPECIFICATIONS.
2. METAL PIPE CULVERT DESIGN SHALL CONFORM TO AASHTO LRFD BRIDGE DESIGN SPECIFICATIONS, FIFTH EDITION (2010) WITH 2010 INTERIMS.
3. METAL PIPE CULVERT MATERIALS AND INSTALLATIONS SHALL CONFORM TO SECTION 606 AND JOB SPECIAL PROVISION "METAL PIPE".
4. ALL PIPE SHALL BE PROTECTED DURING CONSTRUCTION BY A COVER SUFFICIENT TO PREVENT DAMAGE FROM PASSAGE OF EQUIPMENT.
5. THE MINIMUM TRENCH WIDTH SHALL BE THE OUTSIDE DIAMETER OF THE PIPE PLUS 24 INCHES. THE MAXIMUM ALLOWABLE TRENCH WIDTH SHALL BE THE MINIMUM WIDTH PRACTICABLE FOR WORKING CONDITIONS.
6. MULTIPLE PIPE CULVERTS SHALL BE INSTALLED WITH A MINIMUM CLEARANCE OF 24 INCHES BETWEEN STRINGS OF PIPE. REFER TO STD. DWG. FES-2 FOR MINIMUM CLEARANCE WHERE FLARED END SECTIONS ARE USED.
7. IMPERVIOUS MATERIAL SHOULD BE PLACED AS DIRECTED BY THE ENGINEER AT THE ENDS OF THE CULVERT TO PREVENT LOSS OF STRUCTURAL BEDDING WHEN PERVIOUS MATERIAL IS USED FOR STRUCTURAL BEDDING AND/OR BACKFILL.
8. WHEN DIRECTED BY THE ENGINEER, UNSUITABLE MATERIAL THAT IS ENCOUNTERED AT THE BOTTOM OF THE EXCAVATED TRENCH (BELOW THE AREA IDENTIFIED AS "STRUCTURAL BEDDING" ABOVE) WILL BE EXCAVATED AND REPLACED WITH SELECTED PIPE BEDDING. THE QUANTITY OF MATERIAL REQUIRED TO BACKFILL THE UNDERCUT AREA UP TO THE SELECTED PIPE BEDDING PAY LIMIT DESIGNATED ABOVE WILL BE MEASURED AND PAID FOR AS "SELECTED PIPE BEDDING."
9. WHEN THE EXISTING MATERIAL EXCAVATED FOR THE PIPE TRENCH IS DETERMINED BY THE ENGINEER TO BE UNSUITABLE FOR BACKFILLING THE PIPE (ABOVE THE AREA IDENTIFIED AS STRUCTURAL BACKFILL), BORROW MATERIAL OR MATERIAL FROM THE ROADWAY EXCAVATION WILL BE USED TO BACKFILL THE PIPE. IF SUITABLE MATERIAL IS NOT AVAILABLE, THE ENGINEER MAY AUTHORIZE THE USE OF "SELECTED PIPE BACKFILL."

① FOR MINIMUM COVER VALUES, "H" SHALL INCLUDE A MINIMUM 12" OF PAVEMENT AND/OR BASE.

② WHERE THE STANDARD 2 2/3" X 1/2" CORRUGATION AND GAUGE IS SPECIFIED FOR A GIVEN DIAMETER, A PIPE OF THE SAME DIAMETER WITH A 3" X 1" OR 5" X 1" CORRUGATION MAY BE SUBSTITUTED, PROVIDING IT IS GAUGED FOR A FILL HEIGHT CONDITION EQUAL TO OR GREATER THAN THE MAXIMUM FILL HEIGHT CONDITION FOR THE SPECIFIED GAUGE AND CORRUGATION.

DATE	REVISION	DATE FILMED
2-27-14	REVISED GENERAL NOTE 1	
12-15-11	REVISED FOR LRFD DESIGN SPECS	
3-30-00	REVISED INSTALLATIONS	
11-06-97	ISSUED	

ARKANSAS STATE HIGHWAY COMMISSION

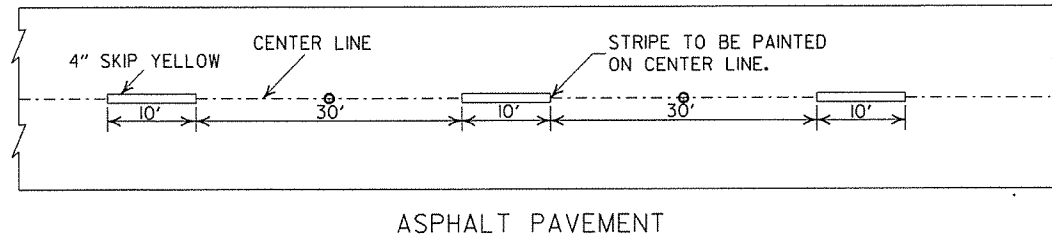
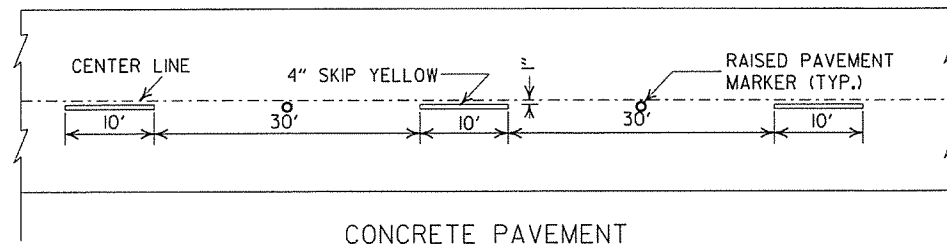
METAL PIPE CULVERT FILL HEIGHTS & BEDDING

STANDARD DRAWING PCM-1



NOTES:

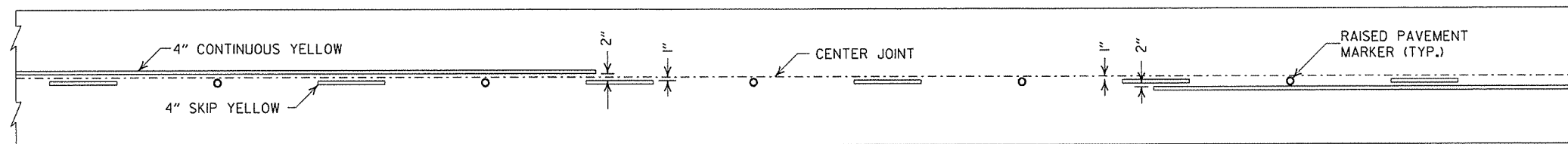
1. ALL LINES SHALL HAVE A WIDTH OF 4 INCHES.
2. THE THICKNESS AND RATE OF PAINT APPLICATION SHALL BE AS SPECIFIED IN SECTION 718 OF THE STANDARD SPECIFICATIONS.
3. THIS DRAWING SHALL BE USED IN CONJUNCTION WITH THE LATEST REVISED ADDITION OF THE "MANUAL ON UNIFORM TRAFFIC CONTROL DEVICES."
4. RAISED PAVEMENT MARKERS SHALL BE CENTERED BETWEEN SKIP LINES ON 40 FEET SPACING UNLESS OTHERWISE SHOWN ON THE PLANS.



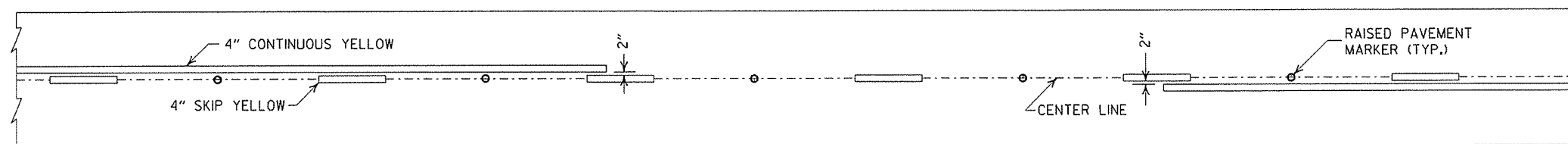
CONCRETE PAVEMENT

ASPHALT PAVEMENT

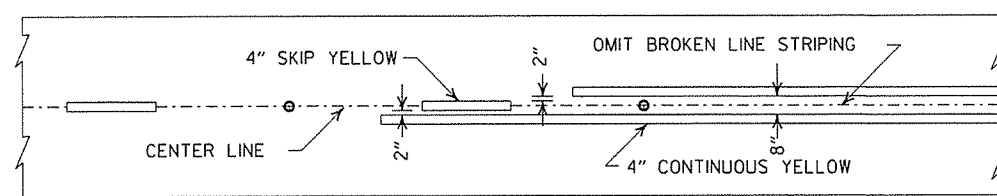
BROKEN LINE STRIPING



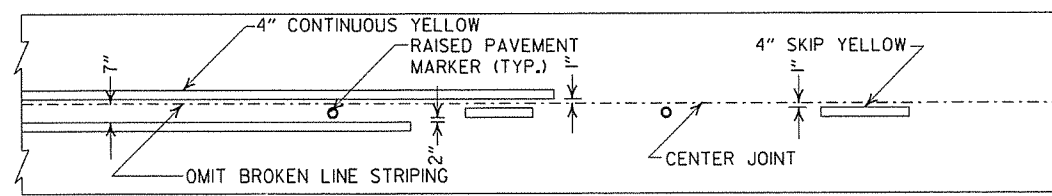
SOLID LINE STRIPING ON CONCRETE PAVEMENT



SOLID LINE STRIPING ON ASPHALT PAVEMENT

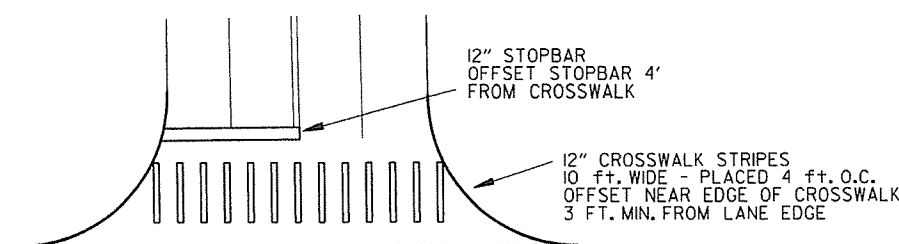


ASPHALT PAVEMENT



CONCRETE PAVEMENT

STRIPING AT ADJACENT NO PASSING LANES



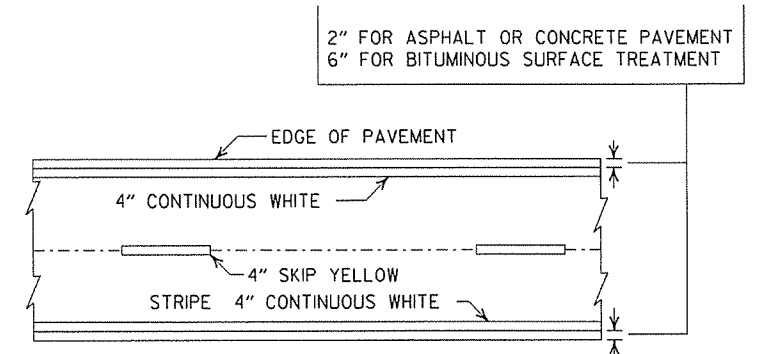
CROSSWALK AND STOPBAR DETAILS

GENERAL NOTES:

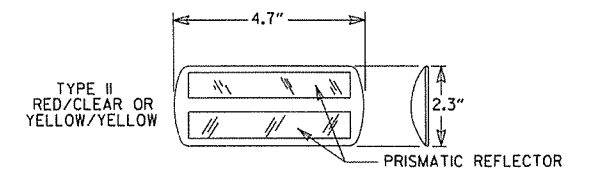
THIS DRAWING SHOULD BE CONSIDERED AS TYPICAL ONLY AND THE FINAL LOCATION OF THE STRIPING AND RAISED PAVEMENT MARKERS SHALL BE DETERMINED BY THE ENGINEER.

THIS DRAWING SHOULD BE USED IN CONJUNCTION WITH THE "MANUAL ON UNIFORM TRAFFIC CONTROL DEVICES", LATEST REVISION.

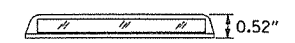
NOTE: DIMENSIONS SHOWN FOR RAISED PAVEMENT MARKERS ARE TYPICAL. THE CONTRACTOR MAY SUBSTITUTE SIMILAR MARKERS WITH THE APPROVAL OF THE ENGINEER. REQUESTING APPROVAL FOR SIMILAR MARKERS MAY BE MADE BY REFERRING TO THE AHTD QUALIFIED PRODUCTS LIST.



PAVEMENT EDGE LINE MARKING

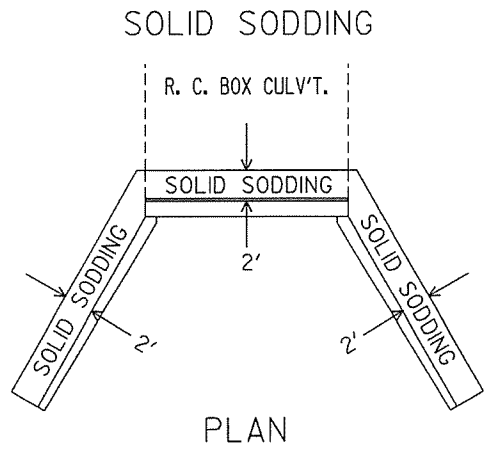
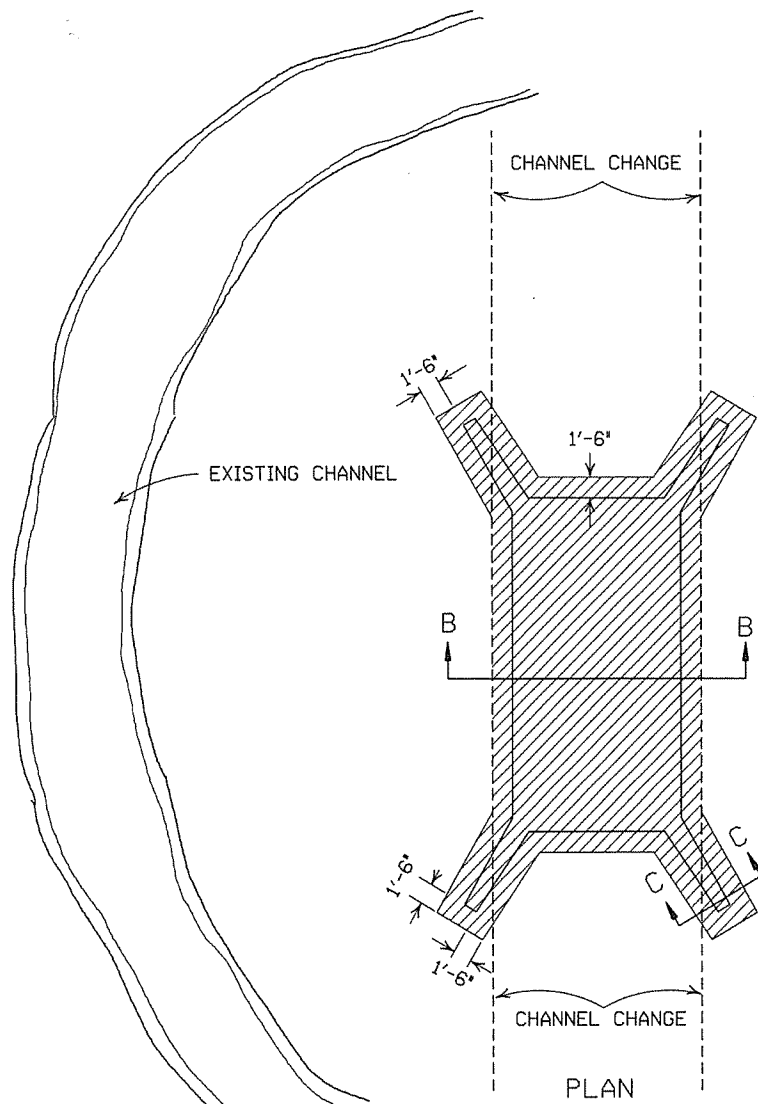


NOTE: THE RED LENS OF THE TYPE II R.P.M. SHALL FACE THE INCORRECT TRAFFIC MOVEMENT.



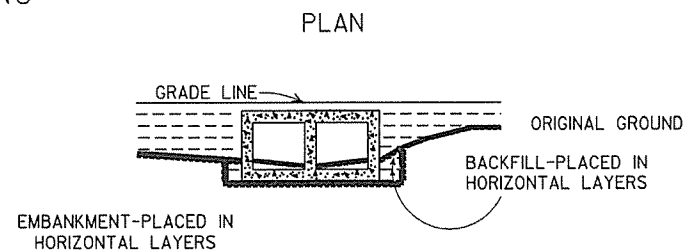
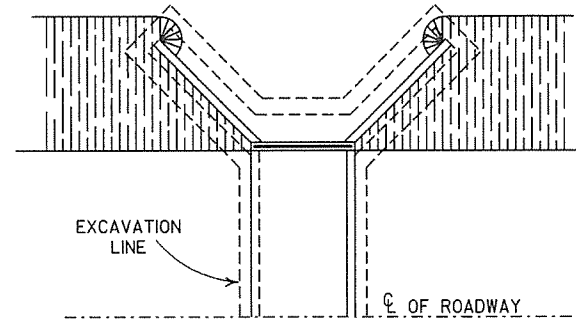
DATE	REVISION	FILMED
9-12-13	REVISED DETAIL OF STANDARD RAISED PAVEMENT MARKERS	
11-17-10	REVISED GENERAL NOTES & REMOVED PLOWABLE PVMT MRKRS	
11-18-04	REVISED NOTE 2 & GENERAL NOTES	
8-22-02	ADDED CROSSWALK & STOPBAR DTLS.	
7-02-98	ADDED DETAILS OF STD. RAISED PAV'T. MARKERS	
4-26-96	REV. NOTES 3&4; ADDED R.P.M.	
9-30-80	DRAWN	1-9-30-80

ARKANSAS STATE HIGHWAY COMMISSION	
PAVEMENT MARKING DETAILS	
STANDARD DRAWING PM-1	

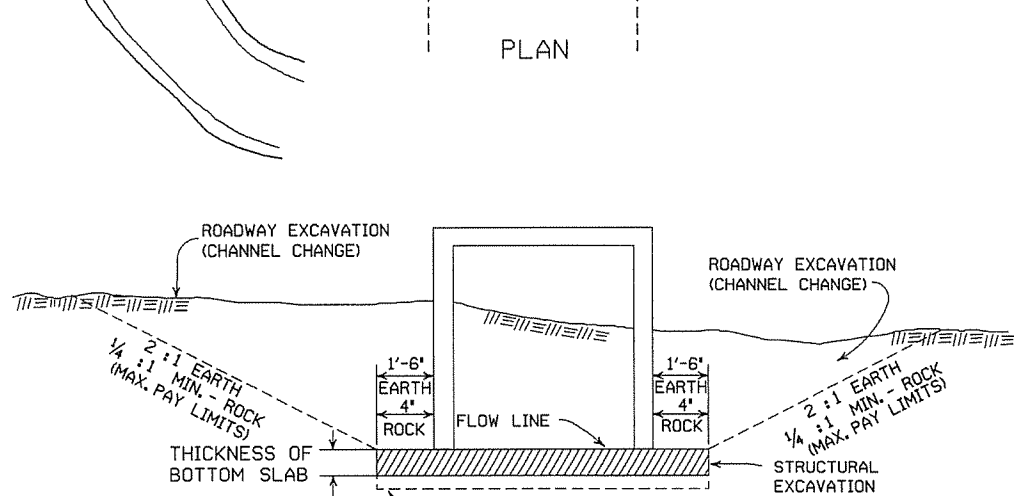
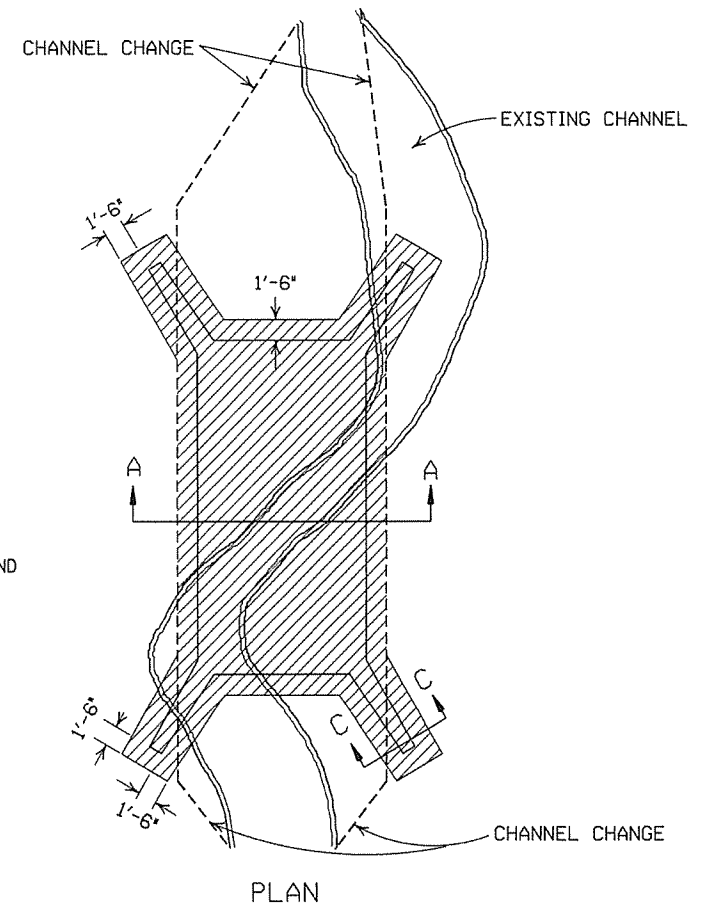


PARTIAL SECTION SHOWING SOLID SODDING AT HEADWALLS AND WING WALLS

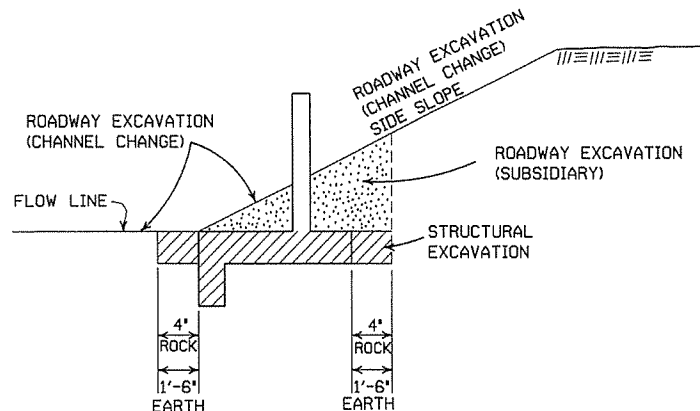
NOTE: LENGTH MEASURED ALONG THE CENTER OF 2' STRIP OF SOLID SODDING.



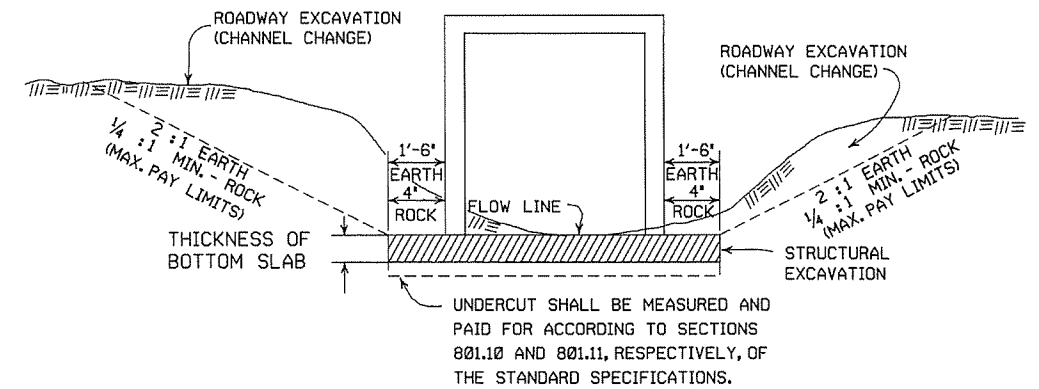
BACKFILL DETAILS FOR BOX CULVERT



SECTION B-B
DETAILS FOR NEW CHANNELS



SECTION C-C



SECTION A-A
DETAILS THROUGH EXISTING CHANNELS

GENERAL NOTES:

ROADWAY EXCAVATION (CHANNEL CHANGE) WILL BE PAID FOR AT R.C. BOX CULVERT LOCATIONS. IT WILL BE PAID TO THE LIMITS ACTUALLY CUT AND WILL BE CONFINED TO THAT PORTION OF THE INDICATED AREA THAT IS ABOVE THE FLOW LINE. ROADWAY EXCAVATION (CHANNEL CHANGE) SHALL BE MEASURED BY CROSS SECTIONS AND VOLUMES COMPUTED BY AVERAGE END AREA METHOD. ALL CHANNEL CHANGES SHALL BE BROUGHT TO GRADE PRIOR TO MAKING ANY EXCAVATION FOR STRUCTURES.

EXCAVATION FOR STRUCTURES WILL BE PAID FOR AT ALL R.C. BOX CULVERT LOCATIONS. IT WILL BE PAID TO THE LIMITS SHOWN AND SHALL BE CONFINED TO THAT PORTION OF THE INDICATED AREA THAT IS BELOW THE CHANNEL FLOW LINE.

ROADWAY EXCAVATION SHOWN IN SECTION C-C ABOVE AS SUBSIDIARY WILL NOT BE MEASURED OR PAID FOR DIRECTLY, BUT PAYMENT WILL BE CONSIDERED TO BE INCLUDED IN THE VARIOUS ITEMS OF EXCAVATION.

11-20-03	REVISED SECTION A-A NOTE	
8-22-02	REVISED SECTION B-B NOTE	
10-12-95	COMBINED 1891B AND 1888A	
1-4-83	REVISED GENERAL NOTES AND ADDED MAXIMUM PAY LIMIT NOTES.	674-1-4-83
2-2-76	EXCAV. PAY LIMITS	917-2-2-76
10-2-72	REVISED AND REDRAWN	564-10-16-72
DATE	REVISION	FILMED

ARKANSAS STATE HIGHWAY COMMISSION

EXCAVATION PAY LIMITS, BACKFILL, & SOLID SODDING FOR BOX CULVERTS

STANDARD DRAWING RCB-2

SUPERELEVATION TABLE FOR TWO - WAY TRAFFIC

DEGREE OF CURVE	30 MPH		40 MPH		50 MPH		55 MPH		60 MPH		70 MPH	
	Ls (FT)		Ls (FT)		Ls (FT)		Ls (FT)		Ls (FT)		Ls (FT)	
	MINIMUM	DESIRABLE	MINIMUM	DESIRABLE	MINIMUM	DESIRABLE	MINIMUM	DESIRABLE	MINIMUM	DESIRABLE	MINIMUM	DESIRABLE
0° 15'	N.C.		N.C.		N.C.		N.C.		N.C.		N.C.	
0° 30'	N.C.		N.C.		N.C.		N.C.		N.C.		N.C.	
0° 45'	N.C.		N.C.		R.C.		0.022		0.023		0.028	
1° 00'	N.C.		N.C.		0.021		0.026		0.030		0.037	
1° 15'	N.C.		N.C.		0.026		0.032		0.037		0.046	
1° 30'	N.C.		0.021		0.031		0.037		0.043		0.054	
1° 45'	N.C.		0.025		0.036		0.043		0.049		0.062	
2° 00'	R.C.		0.028	175	0.040	200	0.048	225	0.055	300	0.070	300
2° 15'	R.C.		0.031		0.045		0.053		0.061		0.078	300
2° 30'	0.021		0.034		0.049	250	0.058		0.067		0.085	350
2° 45'	0.023		0.037		0.053		0.063		0.072		0.091	350
3° 00'	0.025	150	0.040	200	0.057		0.067	230	0.077	260	0.096	350
3° 15'	0.027		0.043		0.061		0.072	245	0.082	275	0.098	360
3° 30'	0.029		0.046		0.065	205	0.076	255	0.086	285	0.100	360
3° 45'	0.031	200	0.049		0.069	215	0.080	265	0.090	295		
4° 00'	0.033		0.051		0.072	225	0.083	270	0.093	305		
4° 30'	0.037		0.056		0.078	240	0.087	280	0.096	315		
5° 00'	0.040		0.061		0.083	250	0.091	295	0.098	320		
5° 30'	0.043		0.066	185	0.088	260	0.094	300				
6° 00'	0.046		0.070	190	0.092	270	0.096	305				
6° 30'	0.050		0.074	200	0.095	280	0.100	315				
7° 00'	0.053		0.078	210	0.098	285						
7° 30'	0.056		0.081	215	0.099	290						
8° 00'	0.058		0.084	220	0.100	290						
8° 30'	0.061		0.087	225								
9° 00'	0.063		0.089	230								
10° 00'	0.068	160	0.094	235								
11° 00'	0.072		0.097	250								
12° 00'	0.076	175	0.099	250								
13° 00'	0.080	180	0.100	250								
14° 00'	0.083	190										
15° 00'	0.086	195										
16° 00'	0.089	200										
17° 00'	0.091	200										
18° 00'	0.093	205										
19° 00'	0.095	210										
20° 00'	0.097	215										
21° 00'	0.098	215										
22° 00'	0.099	215										
23° 00'	0.099	215										
24° 00'	0.100	220										

D MAX = 24° 45'

ABBREVIATIONS

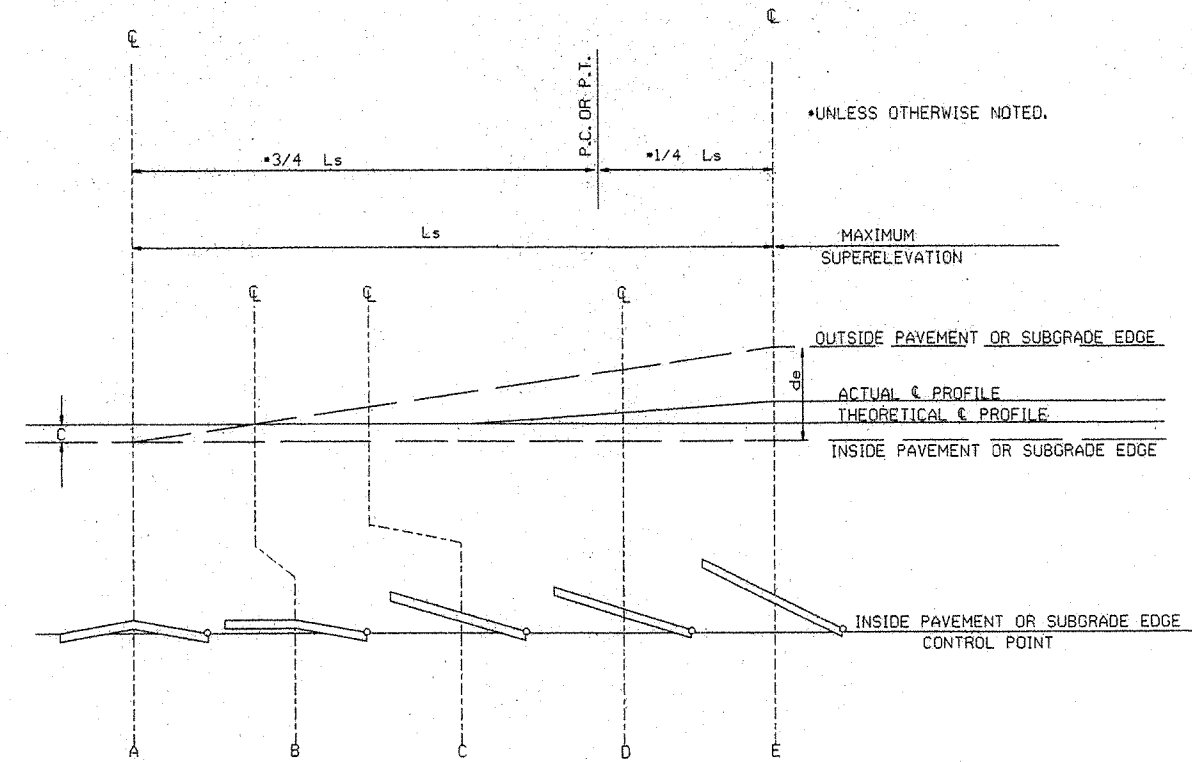
- NC - NORMAL CROWN
- RC - REVERSE CROWN, SUPERELEVATION AT NORMAL CROWN SLOPE
- e - RATE OF SUPERELEVATION (FT. PER FT.)
- Ls - LENGTH OF SUPERELEVATION TRANSITION (FT.)
- L - DISTANCE FROM BEGINNING OF SUPERELEVATION TRANSITION TO ANY POINT (FT.)
- d - WIDTH OF PAVEMENT (FT.) OR WIDTH OF SUBGRADE (FT.)
- C - NORMAL CROWN (FT.)

GENERAL NOTES

1. ON PAVEMENT WITH TWO-WAY TRAFFIC, THE SUPERELEVATION SHALL BE REVOLVED ON THE INSIDE PAVEMENT EDGE UNLESS OTHERWISE NOTED ON THE PLANS
2. SUPERELEVATION VALUES SHOWN ON THE CROSS SECTIONS ARE VALUES (+) OR (-) TO BE ADDED TO OR SUBTRACTED FROM THE POINT OF CONTROL.
3. LENGTHS FOR L MAY BE ROUNDED IN MULTIPLES OF 25 FT. OR 50 FT. TO PERMIT SIMPLER CALCULATIONS.
4. PAVEMENTS WIDER THAN 2 LANES SHALL HAVE ADDITIONAL TRANSITION LENGTHS AS FOLLOWS:

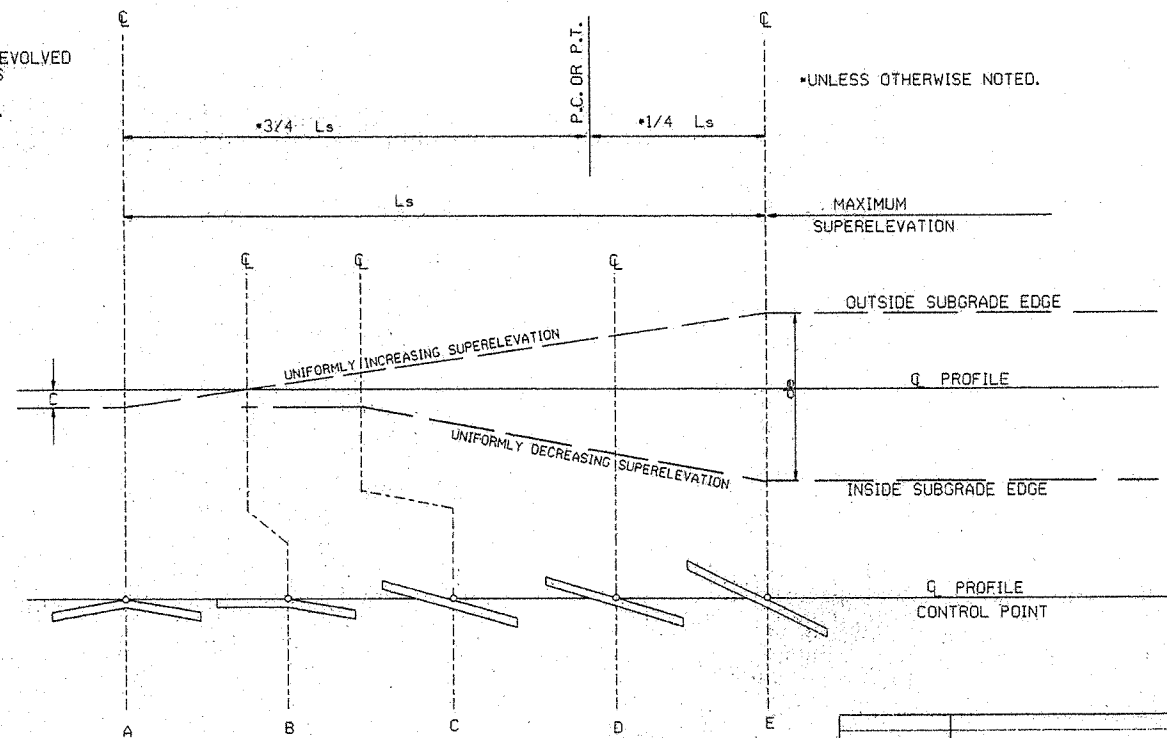
- 3 LANE UNDIVIDED - - - - +20%
- 4 LANE UNDIVIDED - - - - +50%
- 5 LANE UNDIVIDED - - - - +80%
- 6 LANE UNDIVIDED - - - - +100%

NOTE: MAINTAIN NORMAL CROWN ON INSIDE UNTIL SUPERELEVATION EXCEEDS 2C.
RATE OF SUPERELEVATION SHALL BE COMPUTED ON STRAIGHT LINE METHOD USING APPLICABLE Ls.



STANDARD METHOD WHEN SUPERELEVATION REVOLVES AROUND INNER SUBGRADE POINT OR INNER PAVEMENT EDGE

NOTE: MAINTAIN NORMAL CROWN ON INSIDE UNTIL SUPERELEVATION EXCEEDS 2C.



STANDARD METHOD WHEN SUPERELEVATION REVOLVES AROUND CENTER LINE

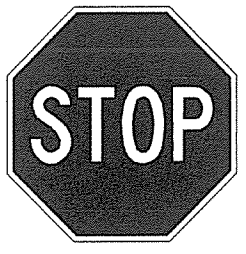
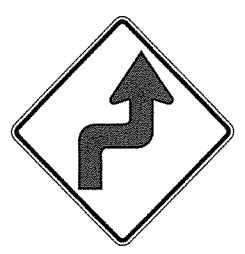
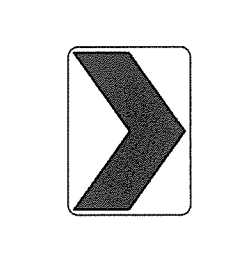
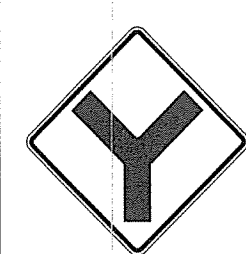
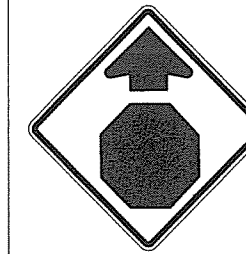
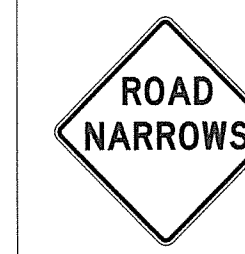
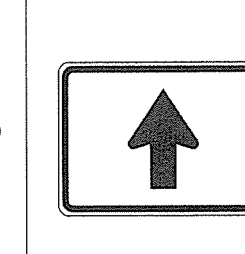
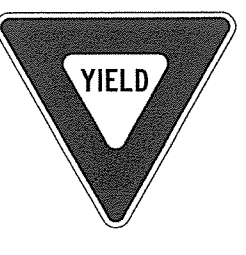
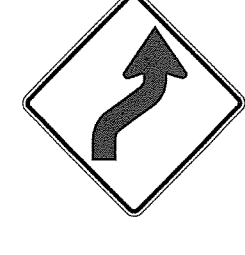

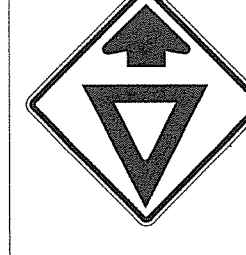
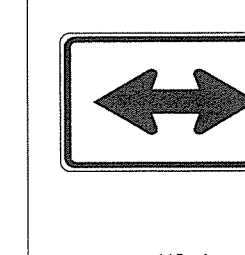

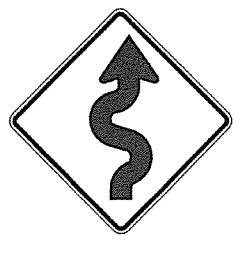
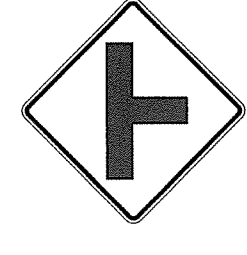
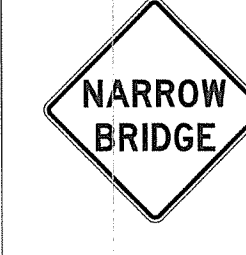
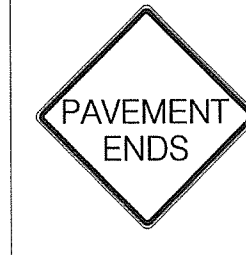
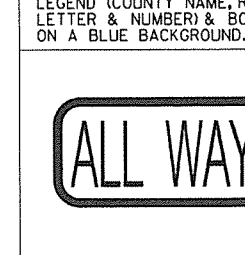
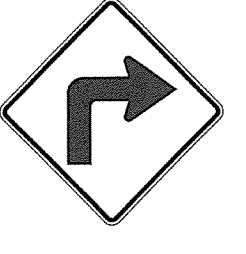
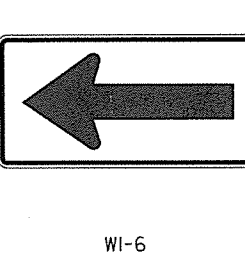
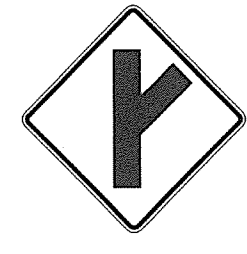

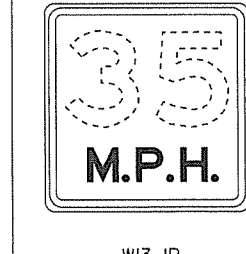
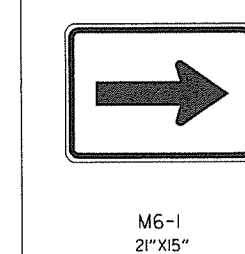
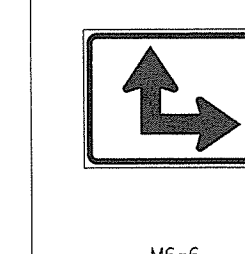
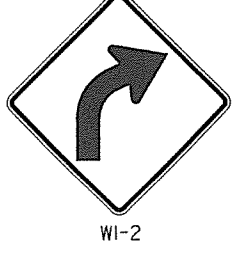
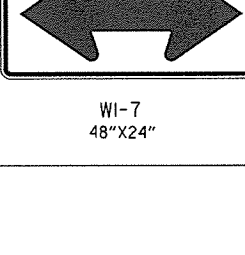
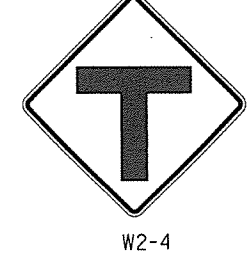
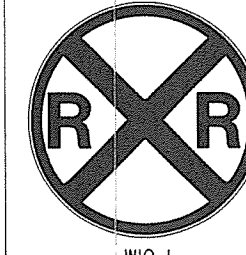
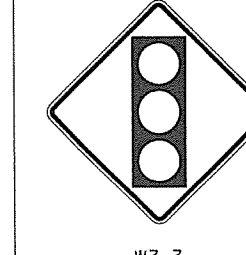
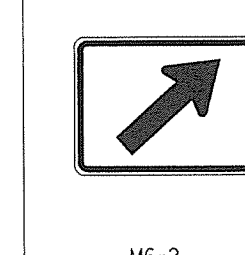
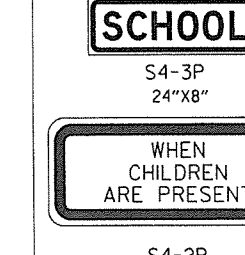

SUPERELEVATION FORMULA = $\frac{Lde}{Ls}$

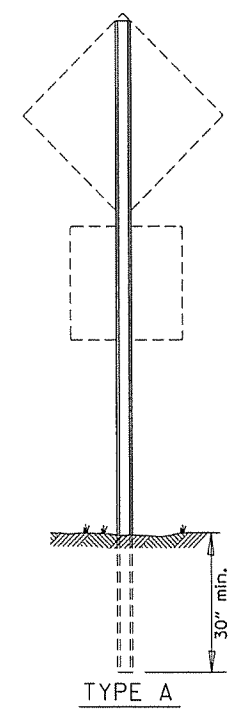
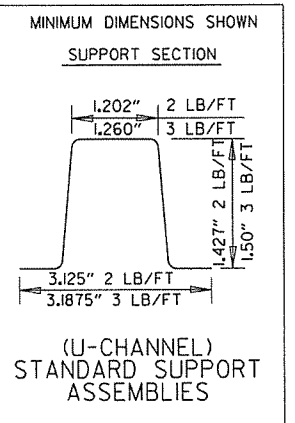
ARKANSAS STATE HIGHWAY COMMISSION

TABLES AND METHOD OF SUPERELEVATION FOR TWO-WAY TRAFFIC

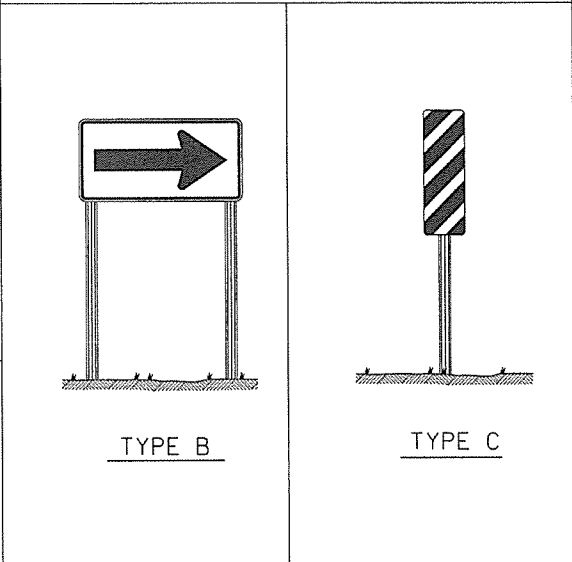
STANDARD DRAWING SE-2

10-18-96	ADDED FORMULA	10-18-96
01-09-87	ISSUED	534-1-9-87
DATE	REVISION	DATE FILLED

 RI-1 30"x30"	 WI-3 30"x30" (LT. OR RT.)	 WI-8 18"x24"	 W2-5 30"x30"	 W3-1 36"x36"	 W5-1 36"x36"	 M6-3 21"x15"
 RI-2 36"x36"x36"	 WI-4 30"x30" (LT. OR RT.)	 W2-1 30"x30"	 SI-1 36"x36"	 W3-2 36"x36"	 MI-6 24"x24" <small>NOTE: REFLECTORIZED YELLOW LEGEND (COUNTY NAME, ROUTE LETTER & NUMBER) & BORDER ON A BLUE BACKGROUND.</small>	 M6-4 21"x15"
 R2-1 24"x30"	 WI-5 30"x30" (LT. OR RT.)	 W2-2 30"x30"	 W5-2 36"x36"	 W8-3 36"x36"	 RI-3P 18"x6"	 M6-5 21"x15"
 WI-1 30"x30" (LT. OR RT.)	 WI-6 48"x24"	 W2-3 30"x30" (LT. OR RT.)	 W5-3 36"x36"	 WI3-1P 18"x18"	 M6-1 21"x15" <small>NOTE: ALL M6 SIGNS TO BE MADE WITH REFLECTORIZED YELLOW ARROW & BORDER WITH BLUE BACKGROUND.</small>	 M6-6 21"x15"
 WI-2 30"x30" (LT. OR RT.)	 WI-7 48"x24"	 W2-4 30"x30"	 W10-1 36" DIAMETER	 W3-3 36"x36"	 M6-2 21"x15"	 S4-3P 24"x8"  S4-2P 24"x10"



NOTE: LENGTH OF SIGN POSTS SHALL BE DETERMINED SO AS TO PROVIDE FOR MINIMUM VERTICAL CLEARANCES AS CALLED FOR IN THE SPECIFICATIONS PLUS A MINIMUM VERTICAL PENETRATION OF 30" IN THE SOIL.



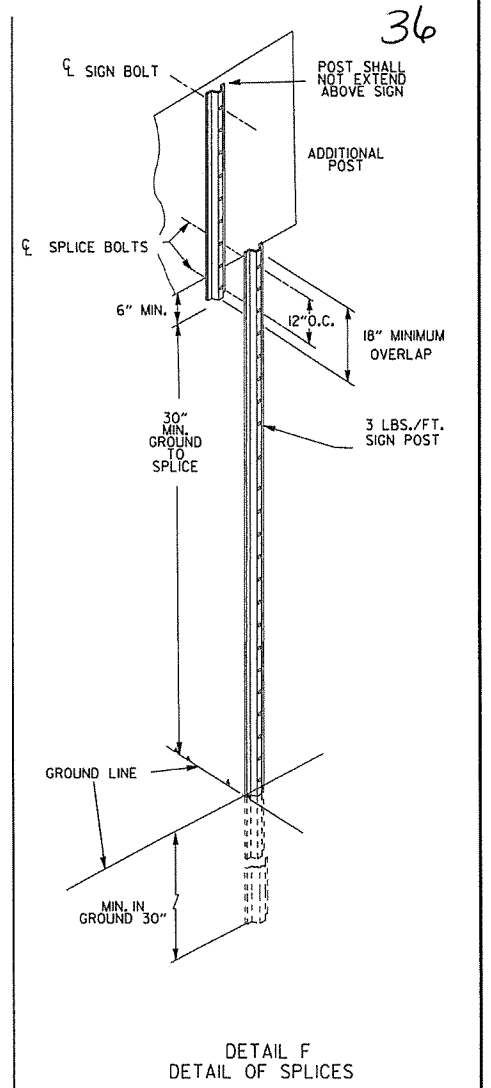
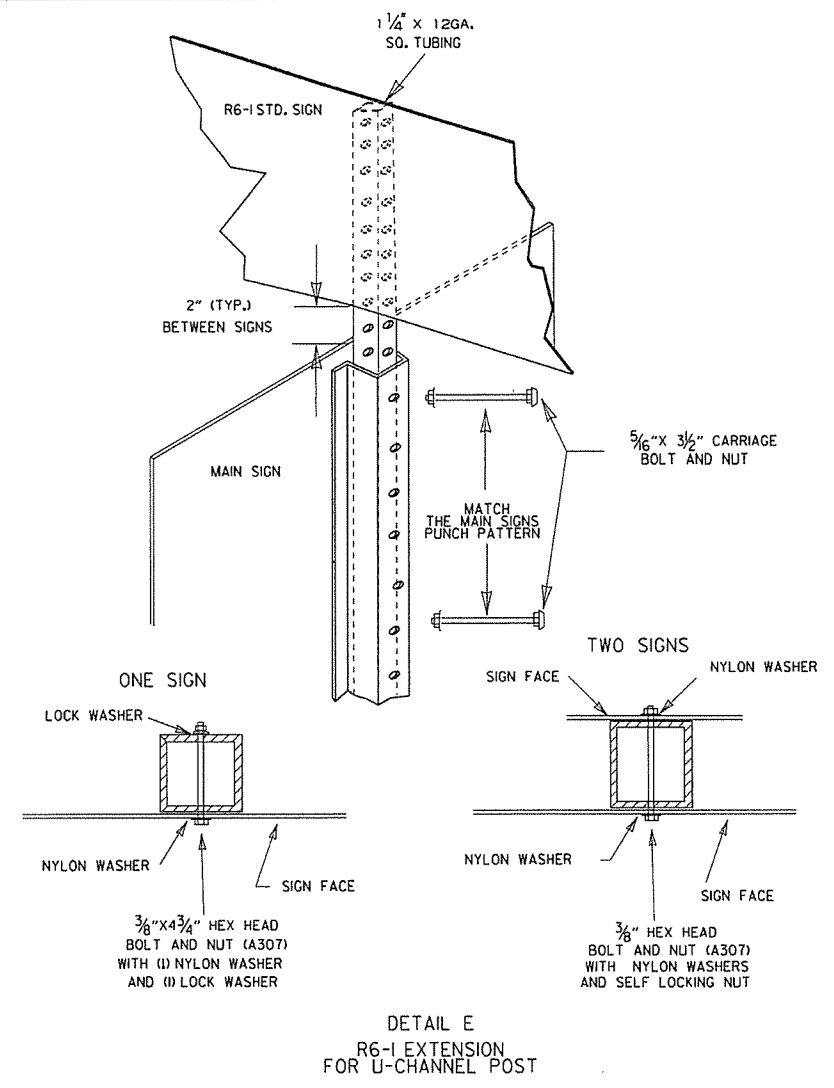
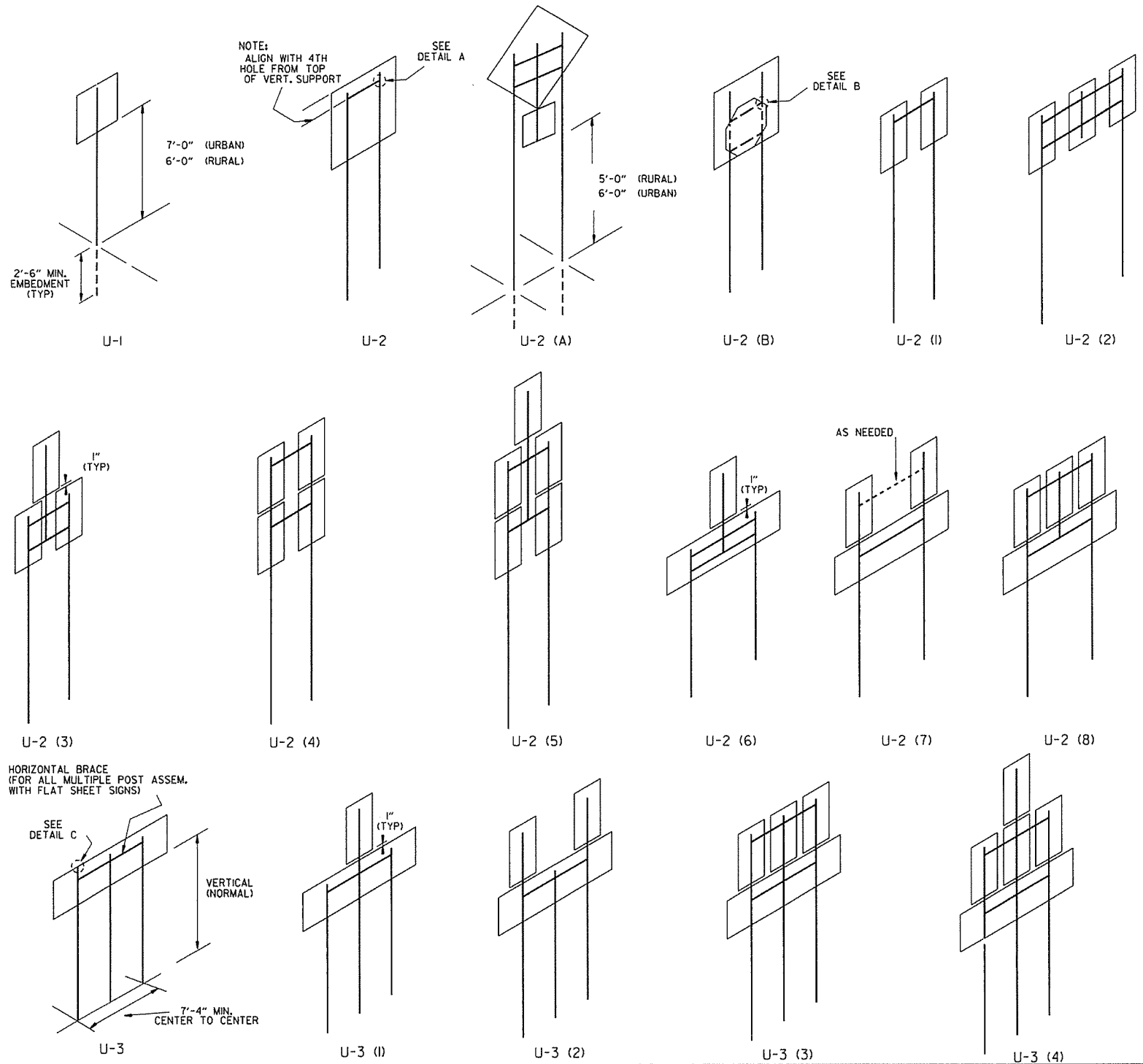
MINIMUM WEIGHT
TYPE A & B = 3 LBS./FT.
TYPE C = 2 LBS./FT.

STANDARD HIGHWAY SIGNS

SUPPORT ASSEMBLIES

9-12-13	DELETED JOB NO. BLOCK; REVISED RI-3 TO RI-3P	
4-17-08	REVISED SIGN DESIGNATION - W3-1& W3-2	
4-10-03	REVISED W5-2, W8-3, OM-3; ADDED WI-8	
1-5-81	REDRAWN	960-1-15-81
9-15-78	ADDED WI-4-3	877-9-15-78
9-2-76	POST WT.	623-9-3-76
5-3-76	SIGEL POST WT. FROM 2*3* ADDED S4-2 & S4-3	504-5-3-76
8-12-74	REV. HT. TYPE "C" ASSEMBLY	500-8-21-74
12-21-72	ADDED M6-2,3,4,5,6	500-12-21-72
12-1-72	ISSUED	562-12-1-72
DATE	REVISION	DATE FILMED

ARKANSAS STATE HIGHWAY COMMISSION
STANDARD HIGHWAY SIGNS
AND SUPPORT ASSEMBLIES
STANDARD DRAWING SHS-1



NOTES:

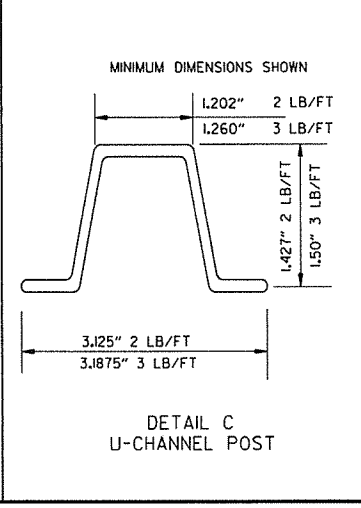
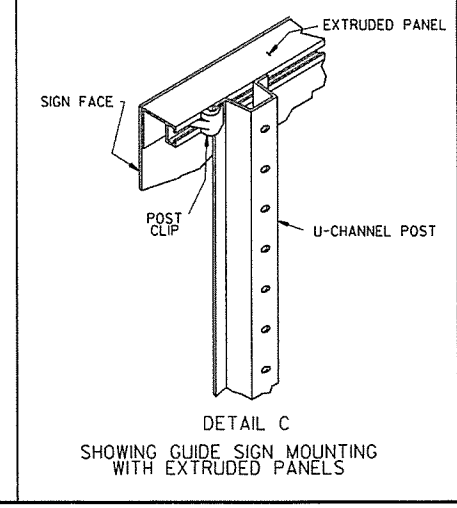
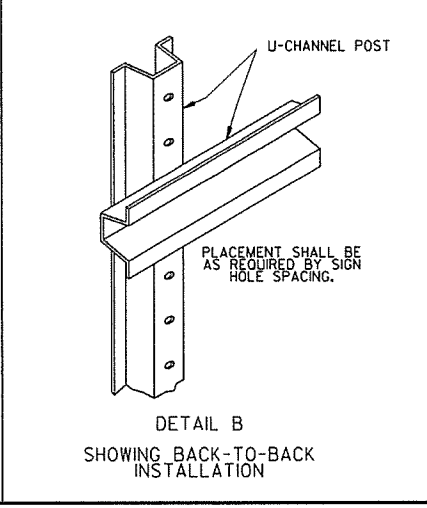
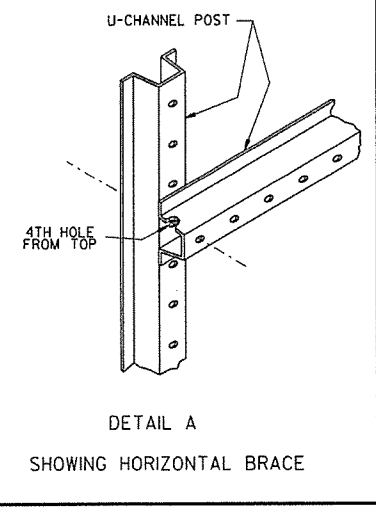
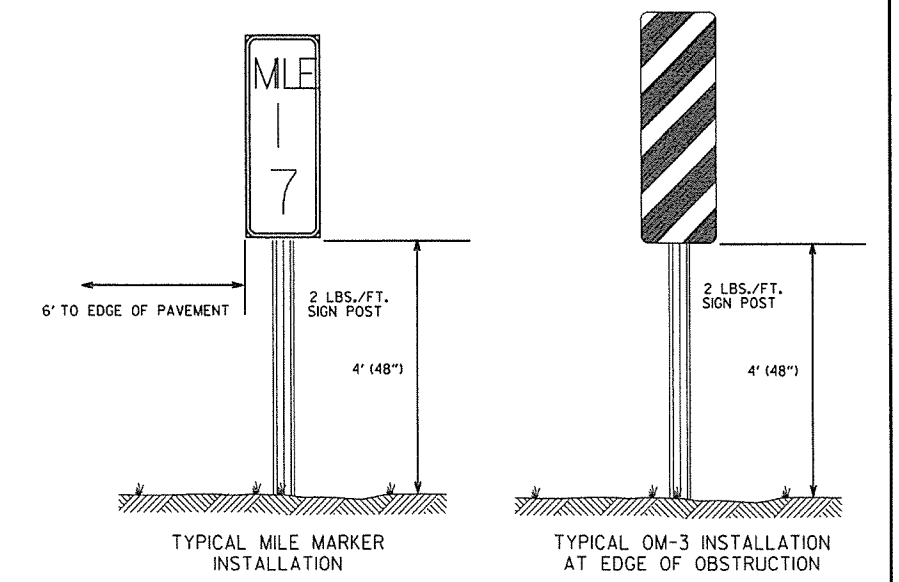
SIGNS AT LEAST 8' IN LENGTH MAY BE INSTALLED ON THREE 3 LB. POST. IN NO CASE SHALL THERE BE MORE THAN TWO 3 LB. POSTS WITHIN A 7' PATH.

SPLICES NECESSARY TO ATTAIN PROPER MOUNTING HEIGHT SHALL BE AS SHOWN IN DETAIL (F).

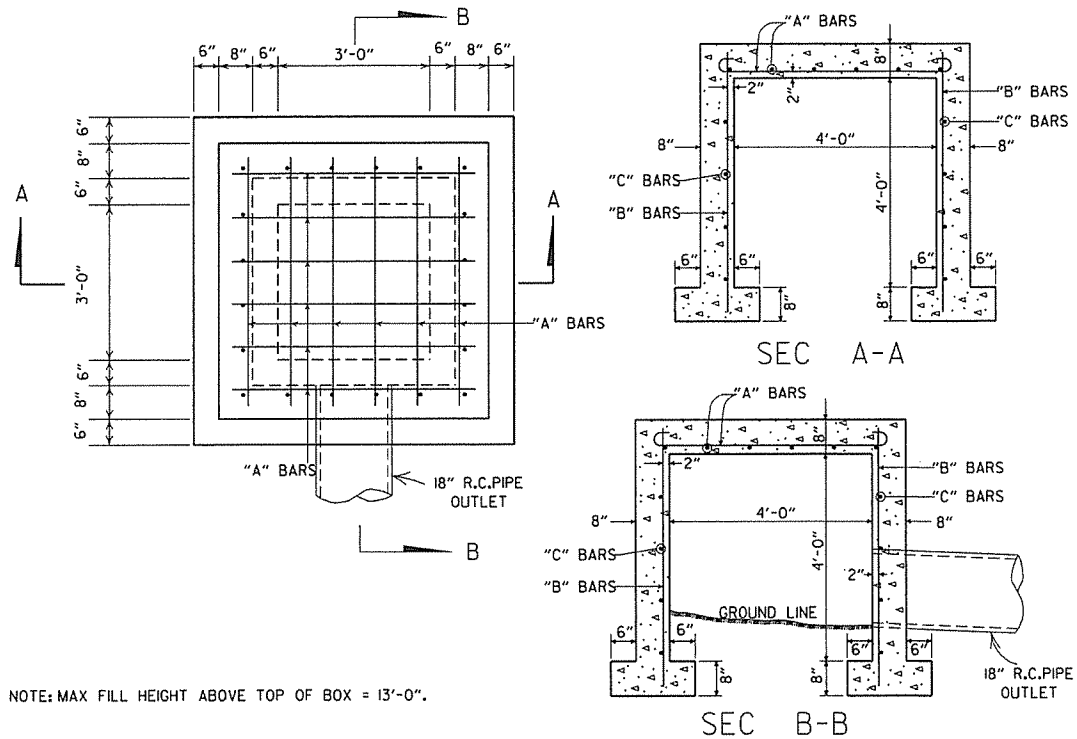
NORMAL INSTALLATIONS WILL REQUIRE 5/16" DIA. CARRIAGE BOLTS TO MOUNT SIGNS TO POST AND TO ASSEMBLE THE VARIOUS POST SUPPORTS.

ALL SIGN POSTS SHALL BE PLUMB.

THE POST FOR "TYPE U" SUPPORTS SHALL BE HOT DIP GALVANIZED.

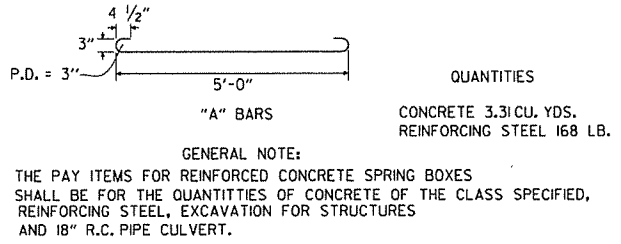


		ARKANSAS STATE HIGHWAY COMMISSION	
		U-CHANNEL POST ASSEMBLIES	
		STANDARD DRAWING SHS-2	
9-12-13	REVISED U-2(3), U-2(6), U-3(1), DETAIL D; ADDED DETAILS E & F; ADDED TYPICAL MARKERS		
10-9-03	REMOVED ROUND POST & REVISED SPACING		
10-12-95	MOVED UPPER SPLICE		
6-8-95	REVISED SPLICE DETAIL	6-8-95	
2-2-95	REDRAWN	2-2-95	
DATE	REVISION	FILMED	

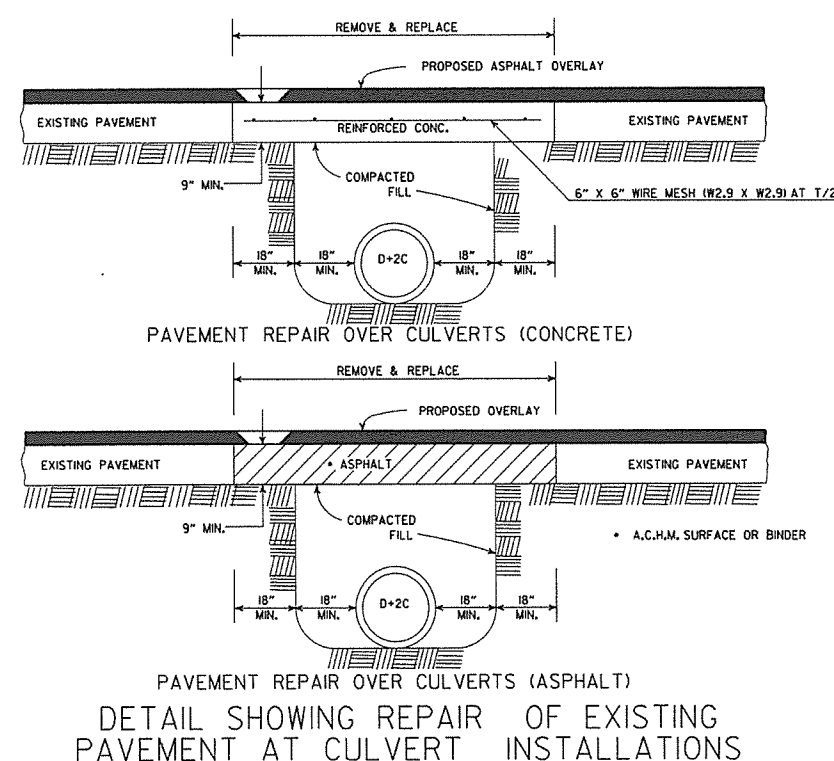


NOTE: MAX FILL HEIGHT ABOVE TOP OF BOX = 13'-0".

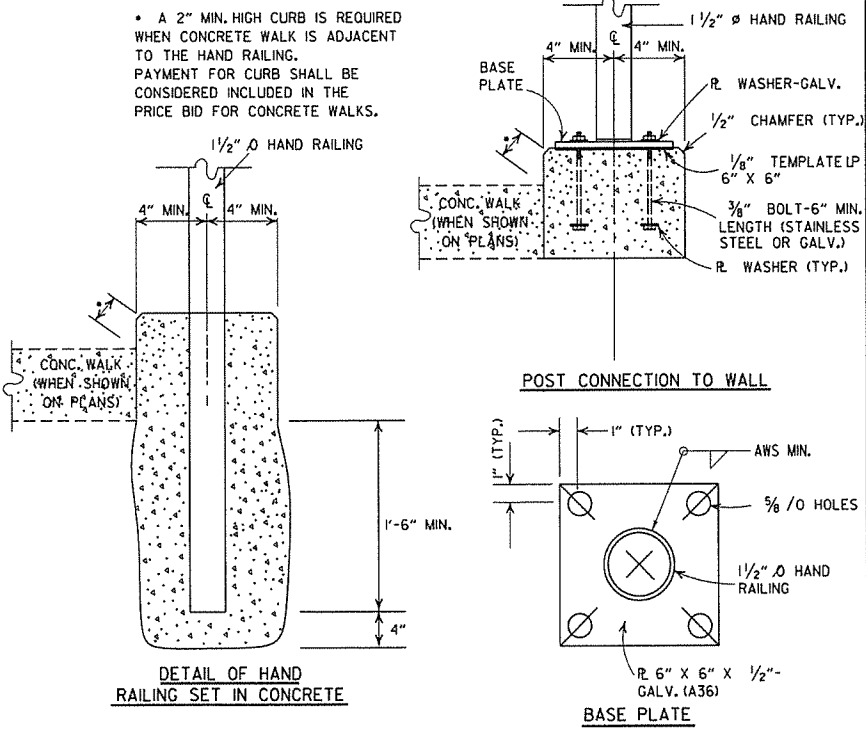
STEEL SCHEDULE			
BARS	NUMBER	LENGTH	SPACING
"A"	12	6'-0"	10"
"B"	20	5'-0"	10 1/2"
"C"	16	5'-0"	12"



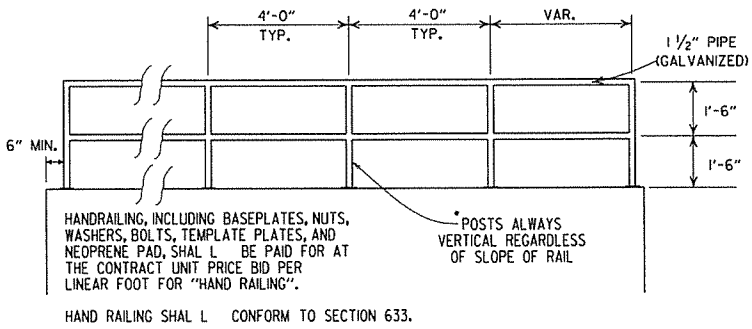
REINFORCED CONCRETE SPRING BOX



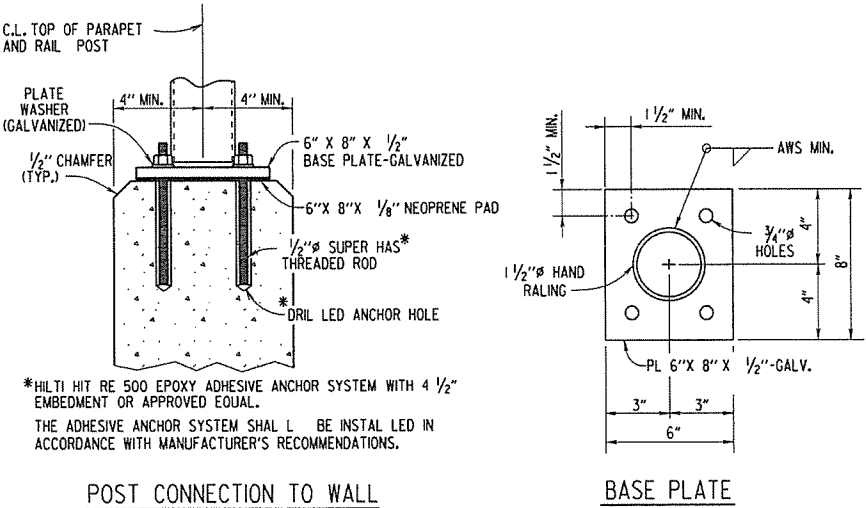
DETAIL SHOWING REPAIR OF EXISTING PAVEMENT AT CULVERT INSTALLATIONS



POST CONNECTION DETAILS



HAND RAILING SHALL CONFORM TO SECTION 633.

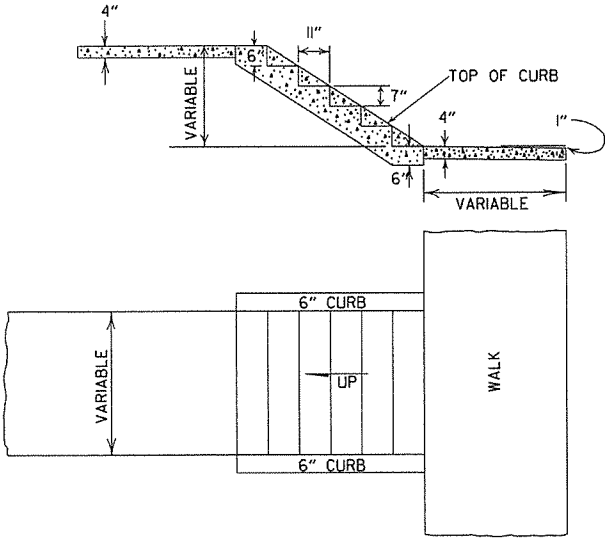


POST CONNECTION TO WALL

BASE PLATE

DETAILS OF ALTERNATE POST ANCHOR SYSTEM (EPOXY ADHESIVE ANCHORS)

HAND RAILING DETAILS




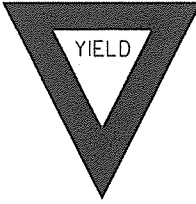
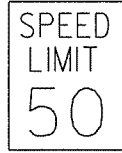
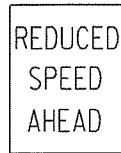


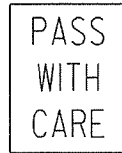
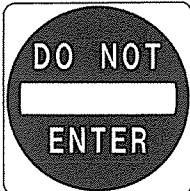

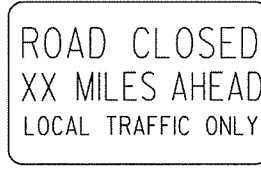
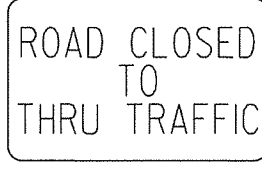
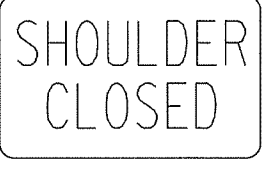
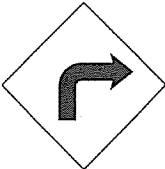
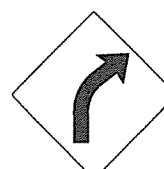
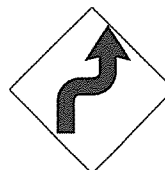
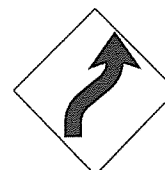
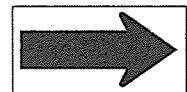
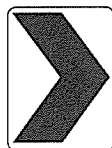
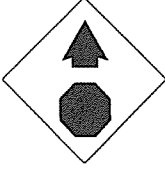
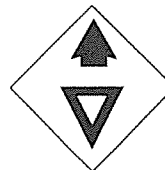
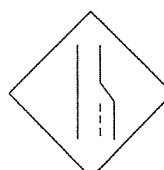

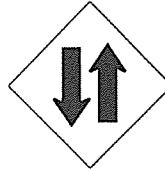

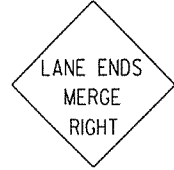


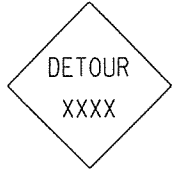






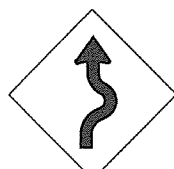
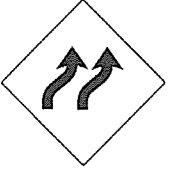


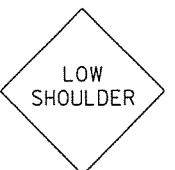
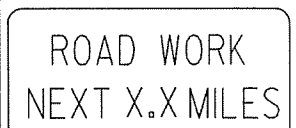
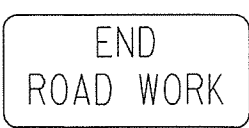
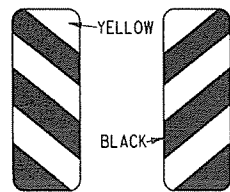
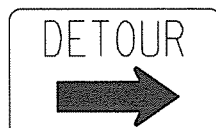

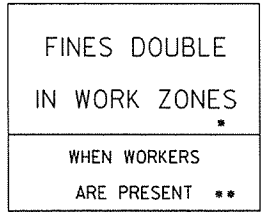
DETAILS OF CONCRETE STEPS & WALKS

DATE	REVISION	DATE FILMED
9-12-13	REVISED REINFORCED CONCRETE SPRING BOX	
7-26-12	REMOVED RETAINING WALL DETAILS & REVISED HAND RAILING DETAILS	
4-17-08	REV. JOINT & FOOTING STEP DETAILS	
11-29-07	REVISED RETAINING WALL DRAINAGE	
5-25-06	REVISED PVMT REPAIR OVER CULVERTS (CONC); REVISED REINFORCED CONC SPRING BOX	
10-9-03	REVISED PIPE RAILING DETAILS TO HAND RAILING DETAILS	
4-10-03	REVISED RETAINING WALL DRAWING	
8-22-02	ADDED HAND RAILING DETAIL	
11-16-01	REVISED PVMT REPAIR OVER CULVERTS (CONC); CORRECTED SPELLING IN GENERAL NOTES	
11-18-98	ADDED GENERAL NOTES TO CONCRETE STEPS & WALKS	
7-02-98	ENLARGED PIPE	
4-03-97	ADDED NOTE TO STEEL BAR SCHED.	
10-18-96	CORRECTED SPELLING	
4-26-96	ADD WEEP HOLE; REV. JOINT SPACING IN RET. WALL	
6-2-94	CHANGED CONST. TO CONTRACTION JOINT	
10-1-92	CHANGED MESH FABRIC TO WIRE MESH	10-1-92
8-15-91	DELETED HDWL MODIFICATION DETAIL	8-15-91
11-8-90	DELETED COLD MIX FROM CULV'T. REPAIR	11-8-90
11-30-89	REV. RETAINING WALL STEEL SCHEDULE	11-30-89
11-17-88	V. BARS BEHIND ARROW	665-11-17-88
7-15-88	REV. PAVEMENT REPAIR	649-7-15-88
11-1-84	REV. TRENCH FOR PIPE UNDERDRAIN	510-11-1-84
1-4-83	ELIMINATED CONC. CLASS & ADDED CHAMFER NOTE	682-1-4-83
3-2-81	SPELLING OF "UNDERDRAIN"	721-3-2-81
4-20-79	REV. UNDERDRAIN DET & PAVEMENT REPAIR	674-4-20-79
2-2-76	12" MIN. GRAN. MAT'L. OVER PIPE	919-2-2-76
4-10-75	REM. SPECS. FOR GRAN. MAT'L.	568-4-10-75-853
5-22-74	GRANULAR MAT'L. TO BE SB-3	567-5-22-74-740
10-2-72	REVISED AND REDRAWN	564-10-16-72

ARKANSAS STATE HIGHWAY COMMISSION

DETAILS OF SPECIAL ITEMS

STANDARD DRAWING SI - 1

<p>RI-1</p>  <p>STANDARD 30"x30" EXPRESSWAY 36"x36" SPECIAL 48"x48"</p>	<p>RI-2</p>  <p>STD. 36"x36"x36" EXPWY. 48"x48"x48" FWY. 60"x60"x60"</p>	<p>R2-1</p>  <p>STD. 24"x30" EXPWY. 36"x48" FWY. 48"x60"</p>	<p>R2-5A</p>  <p>STD. 24"x30" EXPWY. 36"x48" FWY. 48"x60"</p>	<p>R2-5C</p>  <p>STD. 24"x30" EXPWY. 36"x48" FWY. 48"x60"</p>	<p>R4-1</p>  <p>STD. 24"x30" EXPWY. 36"x48" FWY. 48"x60"</p>	<p>R4-2</p>  <p>STD. 24"x30" EXPWY. 36"x48" FWY. 48"x60"</p>	
<p>R5-1</p>  <p>STD. 30"x30" EXPWY. 36"x36" SPECIAL 48"x48"</p>	<p>R11-2</p>  <p>48"x30"</p>	<p>R11-3A</p>  <p>60"x30"</p>	<p>R11-4</p>  <p>60"x30"</p>	<p>RSP-1</p>  <p>48"x30"</p>	<p>WI-1</p>  <p>STD. 36"x36" FWY. 48"x48"</p>	<p>WI-2</p>  <p>STD. 36"x36" FWY. 48"x48"</p>	
<p>WI-3</p>  <p>STD. 48"x48"</p>	<p>WI-4</p>  <p>STD. 48"x48"</p>	<p>WI-6</p>  <p>STD. 48"x24" SPECIAL 60"x30"</p>	<p>WI-8</p>  <p>STD. 18"x24" SPECIAL 24"x30" EXPWY. 30"x36" FWY. 36"x48"</p>	<p>W3-1</p>  <p>STD. 36"x36" SPECIAL 48"x48"</p>	<p>W3-2</p>  <p>STD. 36"x36" SPECIAL 48"x48"</p>	<p>W4-2</p>  <p>STD. 36"x36" FWY. 48"x48"</p>	
<p>W5-1</p>  <p>STD. 36"x36" SPECIAL 48"x48"</p>	<p>W6-3</p>  <p>EXPWY. 36"x36" SPECIAL 48"x48"</p>	<p>W8-7</p>  <p>EXPWY. 36"x36" FWY. 48"x48"</p>	<p>W9-2</p>  <p>STD. 36"x36" FWY. 48"x48"</p>	<p>W13-1</p>  <p>STD. 24"x24"</p>	<p>W20-1</p>  <p>STD. 48"x48"</p>	<p>W20-2</p>  <p>STD. 48"x48"</p>	<p>W20-3</p>  <p>STD. 48"x48"</p>
<p>W20-4</p>  <p>STD. 48"x48"</p>	<p>W20-5</p>  <p>STD. 48"x48"</p>	<p>W20-7a</p>  <p>18" 500 FEET 24" W16-2</p> <p>STD. 36"x36" FWY. 48"x48"</p>	<p>W21-2</p>  <p>STD. 30"x30" SPECIAL 36"x36"</p>	<p>W21-5</p>  <p>STD. 30"x30" SPECIAL 36"x36"</p>	<p>W24-1</p>  <p>STD. 36"x36"</p>	<p>WI-4b</p>  <p>STD. 48"x48"</p>	<p>R56-1</p>  <p>STD. 18"x18"</p>
<p>W8-11</p>  <p>STD. 36"x36" FWY. 48"x48"</p>	<p>W8-9</p>  <p>STD. 36"x36" FWY. 48"x48"</p>	<p>G20-1</p>  <p>60"x24"</p>	<p>G20-2</p>  <p>48"x24"</p>	<p>OM-3L OM-3R</p>  <p>12"x36"</p>	<p>M4-9</p>  <p>STD. 30"x24" SPECIAL 48"x36" SPECIAL 60"x48"</p>	<p>M4-10</p>  <p>48"x18"</p>	<p>R55-1</p>  <p>36"x60" * USE 6" C LETTERS</p>

ADVANCE DISTANCES (XXXX)

500 FT 1/2 MILE
1000 FT 3/4 MILE
1500 FT 1 MILE AHEAD

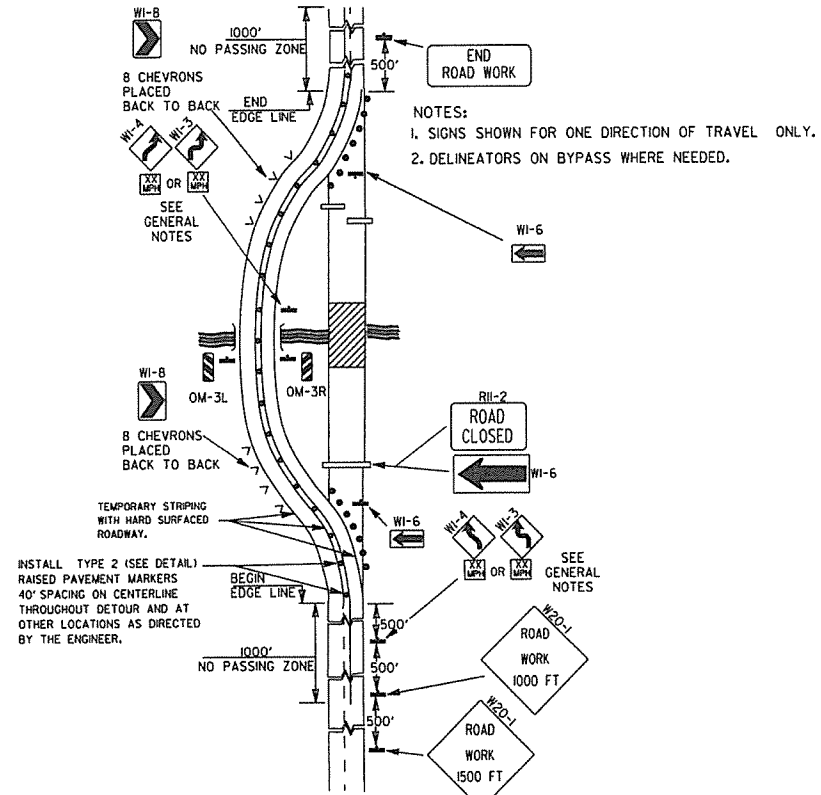
GENERAL NOTES:

- ALL TRAFFIC CONTROL DEVICES USED ON ROAD CONSTRUCTION SHALL CONFORM TO THE MANUAL ON UNIFORM TRAFFIC CONTROL DEVICES, LATEST EDITION, AND TO THE STANDARD HIGHWAY SIGNS, LATEST EDITION, OR AS APPROVED BY THE FEDERAL HIGHWAY ADMINISTRATION.
- TRAFFIC CONTROL DEVICES SHALL BE SET UP JUST BEFORE THE START OF CONSTRUCTION OPERATIONS AND SHALL BE PROPERLY MAINTAINED DURING THE TIME SUCH CONDITIONS EXIST. THEY SHALL REMAIN IN PLACE ONLY AS LONG AS NEEDED AND REMOVED THEREAFTER.
- EXISTING SIGNS AND CONSTRUCTION SIGNS SHALL BE KEPT IN PROPER POSITION, AND BE CLEAN AND LEGIBLE AT ALL TIMES. SIGNS THAT DO NOT APPLY TO EXISTING CONDITIONS SHALL BE REMOVED, SIGNS THAT ARE DAMAGED, DEFACED, OR THAT ACCUMULATE DIRT DURING CONSTRUCTION SHALL BE CLEANED, REPAIRED, OR REPLACED.
- SIGNS ARE USUALLY MOUNTED ON A SINGLE POST, ALTHOUGH THOSE WIDER THAN 36" OR LARGER THAN 10 SQ. FT. SHALL BE MOUNTED ON TWO POSTS OR ABOVE A TYPE III BARRICADE.
- SIGN POSTS DIRECT BURIED IN SOIL SHALL BE 2 LB. MINIMUM CHANNEL POST OR 4"x4" WOOD POSTS. CHANNEL POSTS SHALL BE PAINTED GREEN. WOOD POSTS SHALL BE PAINTED WHITE. ALL POSTS SHALL BE NEATLY CONSTRUCTED, AND SHALL BE REPLUMBED, CLEANED, OR REPAIRED AS NEEDED FOR THE DURATION OF THE JOB. THERE SHALL NOT BE MORE THAN 2 POSTS IN A 7' PATH FOR WOOD OR CHANNEL POSTS. ANY CHANNEL POST SPLICE SHALL BE IN ACCORDANCE WITH STANDARD DRAWING TC-3.
- POST MOUNTED SIGNS IN RURAL AREAS SHALL BE CONSTRUCTED WITH THE NEAR EDGE OF THE SIGN FROM 6 TO 12 FEET FROM THE PAVEMENT EDGE. SIGNS IN URBAN AREAS AND BARRICADE MOUNTED SIGNS SHALL BE MOUNTED A MINIMUM OF 2 FEET FROM THE PAVEMENT EDGE.
- ALL POST AND BARRICADE MOUNTED SIGNS MOUNTED IN URBAN AREAS SHALL BE MOUNTED A MINIMUM DISTANCE OF 7' FROM THE BOTTOM OF THE SIGN TO THE ROADWAY SURFACE. ALL POST AND BARRICADE MOUNTED SIGNS MOUNTED IN RURAL AREAS SHALL BE MOUNTED A MINIMUM DISTANCE OF 7' FROM THE BOTTOM OF THE SIGN TO THE ROADWAY SURFACE, EXCEPT A MINIMUM OF 6' SHALL BE USED WHEN MOUNTING AN ADVISORY SIGN BELOW A WARNING SIGN. TEMPORARY SIGNS MAY BE MOUNTED ON PORTABLE SUPPORTS FOR INTERMEDIATE TERM STATIONARY WORK CONDITIONS. THE SIGNS MINIMUM MOUNTING HEIGHT SHALL BE 5'. RETROREFLECTIVE DEVICES SHALL BE USED. TEMPORARY SIGNS MAY BE MOUNTED ON PORTABLE SUPPORTS FOR SHORT-TERM, SHORT DURATION, AND MOBILE CONDITIONS. THEY SHALL BE NO LESS THAN ONE (1) FOOT ABOVE THE TRAVELED WAY. LONG-TERM STATIONARY SIGNS SHALL BE DIRECT BURIED IN SOIL, UNLESS CONDITIONS NECESSITATE THE USE OF PORTABLE SIGNS, OR AS APPROVED BY THE ENGINEER. CONCRETE PADS, CONCRETE OR ROCK BALLAST, OR OTHER SOLID MATERIALS SHALL NOT BE UTILIZED WITH PORTABLE SIGN SUPPORTS.
- FLAGGERS SHALL USE REFLECTORIZED STOP-SLOW PADDLES. FLAGS MAY BE USED ONLY FOR EMERGENCY SITUATIONS.
- MOST OF THE SIGNS SHOWN ARE ORIENTED TO THE RIGHT, HOWEVER, THIS DOES NOT PRECLUDE THE USE OF MIRROR IMAGES OF THESE SIGNS WHERE THE REVERSE ORIENTATION MIGHT BETTER CONVEY TO MOTORISTS THE PROPER DIRECTION OF MOVEMENT.
- R55-1 SIGNS SHALL BE PLACED AT LEAST 1500' BUT NOT MORE THAN 1 MILE IN ADVANCE OF THE WORK ZONE. IF A SPEED LIMIT REDUCTION IS IN EFFECT, THE SIGN SHALL BE PLACED A MINIMUM OF 500' IN ADVANCE OF THE "REDUCED SPEED AHEAD" SIGN.

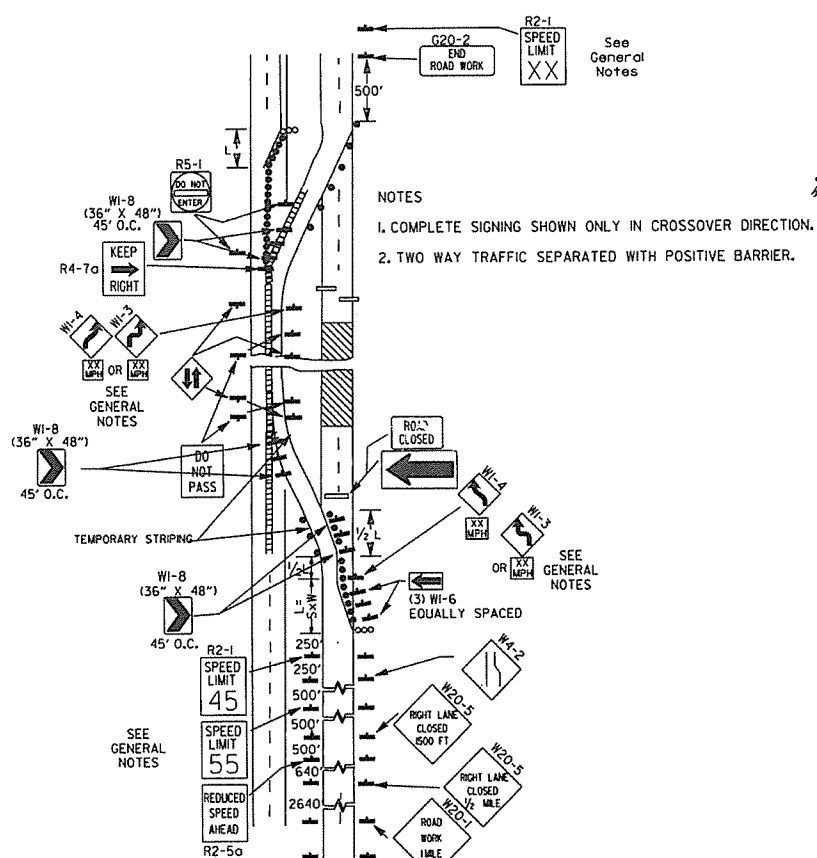
* NOTE: SUPPORTS FOR SIGNS, BARRICADES, AND VERTICAL PANELS THAT ARE DIFFERENT FROM THE REQUIREMENTS SHOWN IN NOTES 4 & 5, BUT MEET THE REQUIREMENTS OF NCHRP-350 OR MANUAL FOR ASSESSING SAFETY HARDWARE (MASH), WILL BE ACCEPTED. COMPLIANCE WITH THE REQUIREMENTS OF NCHRP-350 OR MANUAL FOR ASSESSING SAFETY HARDWARE (MASH) IS REQUIRED FOR ALL PROJECTS.

12-15-11	REVISED W24-1	
11-17-10	DELETED W8-9a & ADDED W8-9	
10-15-09	ADDED REFERENCE TO MASH & ADDED SIGN W24-1	
4-17-08	REVISED SIGN DESIGNATIONS	
11-18-04	REVISED NOTES	
10-9-03	REVISED NOTE 1	
11-16-01	REVISED NOTE 7	
9-28-00	REVISED NOTE	
11-18-98	ADDED NOTE	
6-26-97	REVISED NOTE 5	
4-03-97	REVISED NOTE 5	
10-18-96	ADDED CONTROLLED ACCESS HWY. SIGN & TO NOTE 7	
10-12-95	ADDED R55-1	
6-8-95	REVISED TO CORRECT SIGN ILLUSTRATIONS	6-8-95
2-2-95	REVISED PER PART VI, MUTCD SEPT. 3, 1993	
8-15-91	DRAWN AND PLACED IN USE	
DATE	REVISION	FILMED

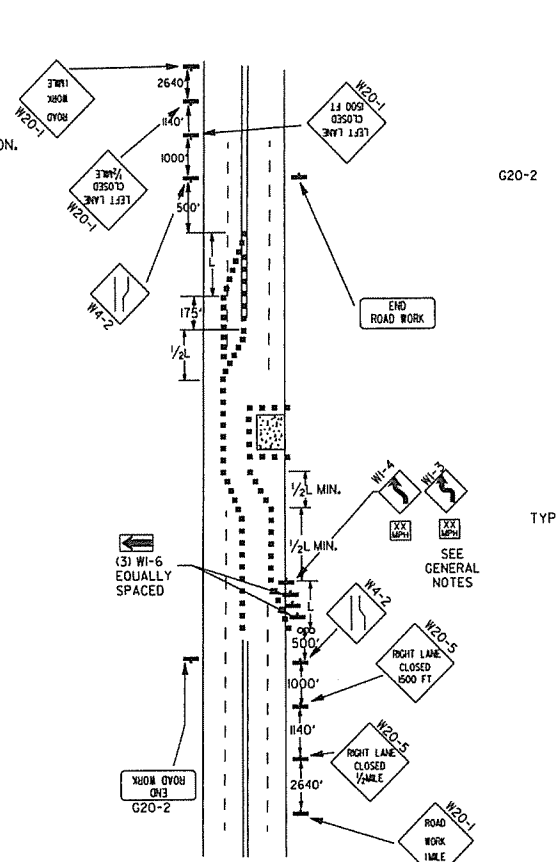
ARKANSAS STATE HIGHWAY COMMISSION
STANDARD TRAFFIC CONTROLS FOR HIGHWAY CONSTRUCTION



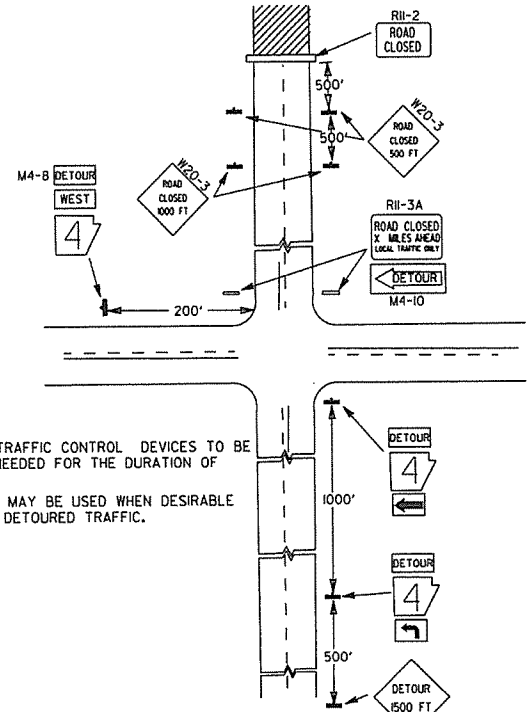
(A) TYPICAL APPLICATION OF TRAFFIC CONTROL DEVICES ON A 2-LANE HIGHWAY WHERE THE ENTIRE ROADWAY IS CLOSED AND A BYPASS DETOUR IS PROVIDED.



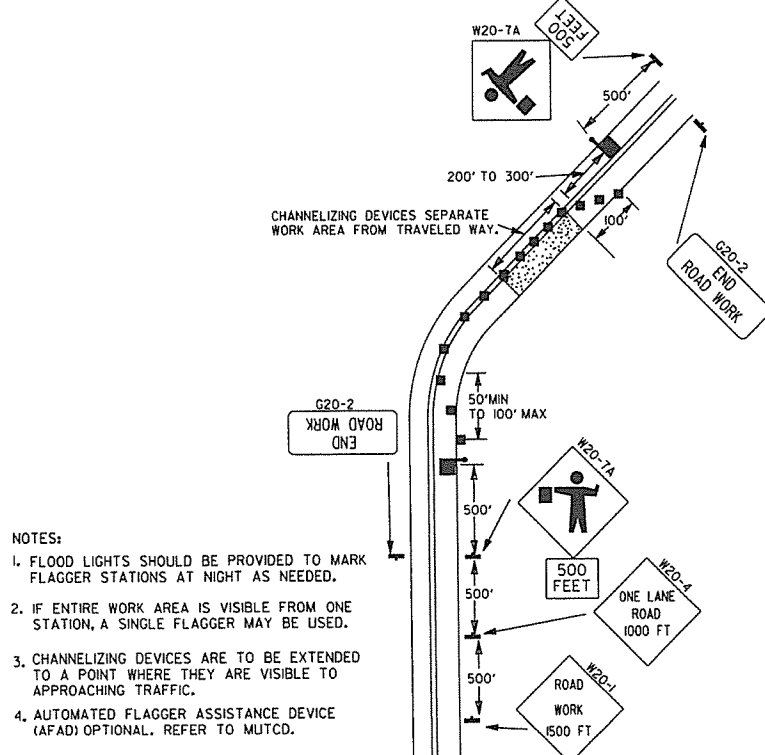
(B) TYPICAL APPLICATION - 4-LANE DIVIDED ROADWAY WHERE ONE ROADWAY IS CLOSED.



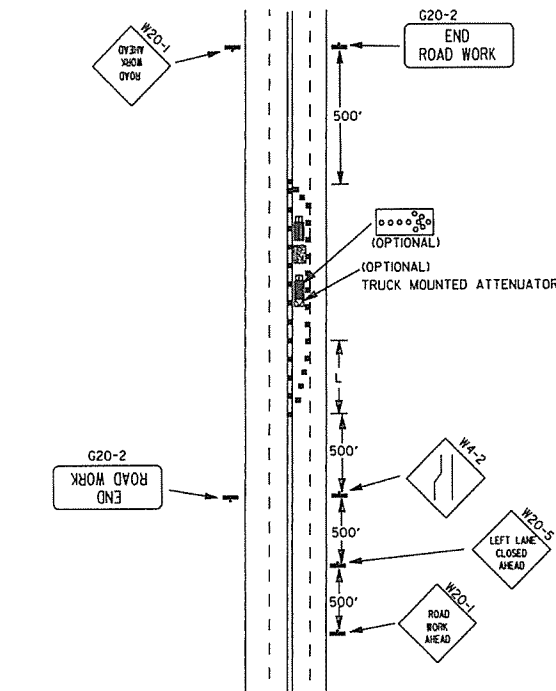
(C) TYPICAL APPLICATION - 4-LANE UNDIVIDED ROADWAY WHERE HALF OF THE ROADWAY IS CLOSED.



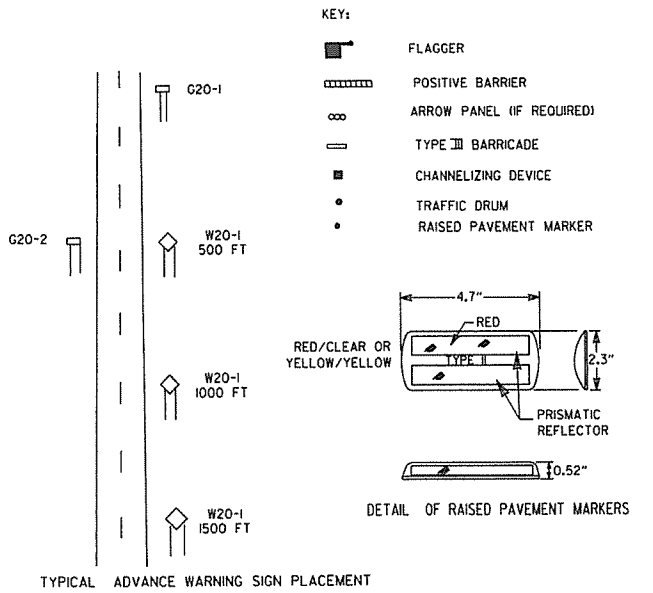
(D) TYPICAL APPLICATION - ROADWAY CLOSED BEYOND DETOUR POINT.



(E) TYPICAL APPLICATION OF TRAFFIC CONTROL DEVICES ON 2-LANE HIGHWAY WHERE ONE LANE IS CLOSED AND FLAGGING IS PROVIDED.



(F) TYPICAL APPLICATION - 4-LANE UNDIVIDED ROADWAY WITH INSIDE LANE CLOSED.

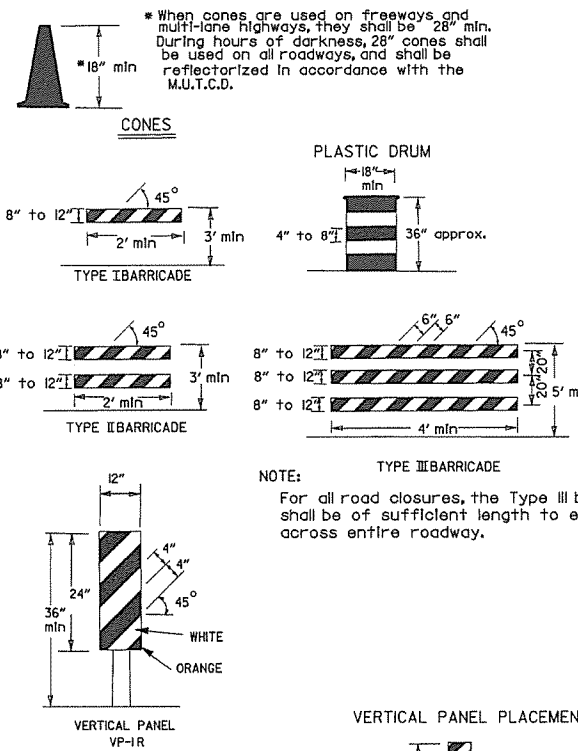


TAPER FORMULAE:
 $L = SXW$ FOR SPEEDS OF 45MPH OR MORE.
 $L = \frac{WS}{60}$ FOR SPEEDS OF 40MPH OR LESS.
 WHERE:
 L = MINIMUM LENGTH OF TAPER.
 S = NUMERICAL VALUE OF POSTED SPEED LIMIT PRIOR TO WORK OR 85TH PERCENTILE SPEED.
 W = WIDTH OF OFFSET.

- GENERAL NOTES:
- ADVISORY SPEED POSTED ON W1-3 OR W1-4 CURVE WARNING SIGNS TO BE DETERMINED AT SITE. USE W1-4 WHEN SPEED IS GREATER THAN 30MPH AND W1-3 WHEN 30MPH OR LESS.
 - WHEN THE EXISTING SPEED LIMIT IS 55MPH AND THE PLANS REQUIRE A SPEED LIMIT OF 45MPH, THE R2-(155) SHALL BE OMITTED AND THE R2-5A SHALL BE INSTALLED AT THAT LOCATION. ADDITIONAL R2-145MPH SPEED LIMIT SIGNS SHALL BE INSTALLED AT A MAXIMUM OF 1 MILE INTERVALS. AT THE END OF THE WORK AREA A R2-(10XX) SHALL BE INSTALLED TO MATCH ORIGINAL SPEED LIMIT.
 - WHEN THE EXISTING SPEED LIMIT IS 65MPH AND THE PLANS REQUIRE A SPEED LIMIT OF 55MPH, THE R2-(145) SHALL BE OMITTED. ADDITIONAL R2-155MPH SPEED LIMIT SIGNS SHALL BE INSTALLED AT A MAXIMUM OF 1 MILE INTERVALS. AT THE END OF THE WORK AREA A R2-(1XX) SHALL BE INSTALLED TO MATCH ORIGINAL SPEED LIMIT.
 - THE MAXIMUM SPACING BETWEEN CHANNELIZING DEVICES IN A TAPER SHOULD BE APPROXIMATELY EQUAL IN FEET TO THE SPEED LIMIT. BEYOND THE TAPER, MAXIMUM SPACING SHALL BE TWO TIMES THE SPEED LIMIT, OR AS DIRECTED BY THE ENGINEER.
 - WARNING LIGHTS AND/OR FLAGS MAY BE MOUNTED TO SIGNS OR CHANNELIZING DEVICES AT NIGHT AS NEEDED.
 - PAVEMENT MARKINGS NO LONGER APPLICABLE WHICH MIGHT CREATE CONFUSION IN THE MINDS OF VEHICLE OPERATORS SHALL BE REMOVED OR OBLITERATED AS SOON AS PRACTICABLE.
 - TRAILER MOUNTED DEVICES SUCH AS ARROW PANELS AND PORTABLE CHANGEABLE MESSAGE SIGNS SHALL BE DELINEATED BY AFFIXING CONSPICUITY MATERIAL IN A CONTINUOUS LINE ON THE FACE OF THE TRAILER. WHEN PLACED ON OR ADJACENT TO THE SHOULDER AND NOT BEHIND A POSITIVE BARRIER, THESE DEVICES SHALL BE DELINEATED BY PLACING FIVE (5) TRAFFIC DRUMS, EQUALLY SPACED ALONG THE TRAFFIC SIDE OF THE DEVICE.

DATE	REVISION	FILMED
9-12-13	REVISED DETAIL OF RAISED PAVEMENT MARKERS	
3-11-10	ADDED (AFAD)	
11-20-08	REVISED SIGN DESIGNATIONS	
11-18-04	ADDED GENERAL NOTE	
10-18-96	ADDED R55-1	
4-26-96	CORRECTED (a) BEHIND G20-2	
6-8-95	CORRECTED SIGN IDENT. ON W1-4A	6-8-95
2-2-95	REVISED PER PART VI, MUTCD, SEPT. 3, 1993	
8-15-91	DRAWN AND PLACED IN USE	

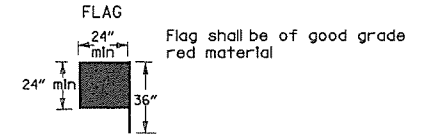
Channelizing devices



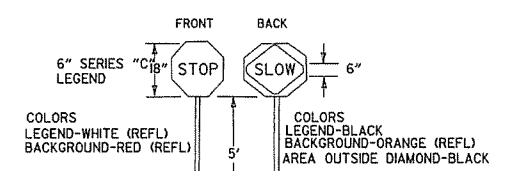
TRAFFIC CONTROL DEVICES FOR VERTICAL PAVEMENT DIFFERENTIALS

VERTICAL DIFFERENTIAL	LOCATIONS	TRAFFIC CONTROL
1" to 3"	Centerline, lane lines	W8-II
1" to 3"	Edge of shoulder	W8-9
Greater than 3"	Lane lines	Standard lane closure required
Greater than 3"	Edge of traveled lane	*RSP-land vertical panels, drums or concrete barrier
Greater than 3"	Edge of shoulder	*Vertical panels, drums or concrete barrier

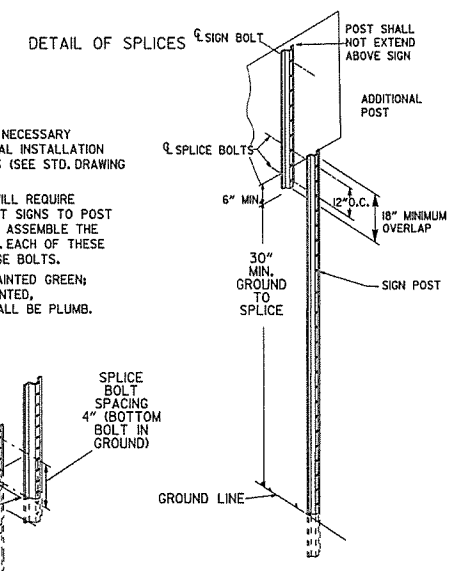
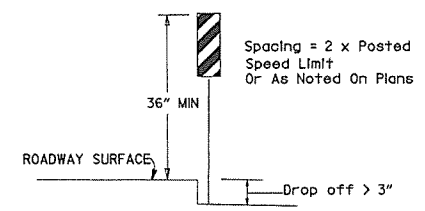
* When shown on the plans concrete barrier will be used.
 When the shoulder area is used as part of the traveled lane and there is insufficient width to place drums on the remaining shoulder width, then vertical panels shall be used.



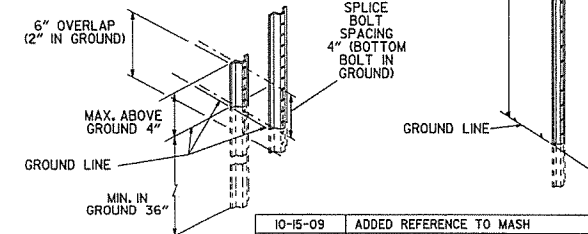
STOP SLOW PADDLE



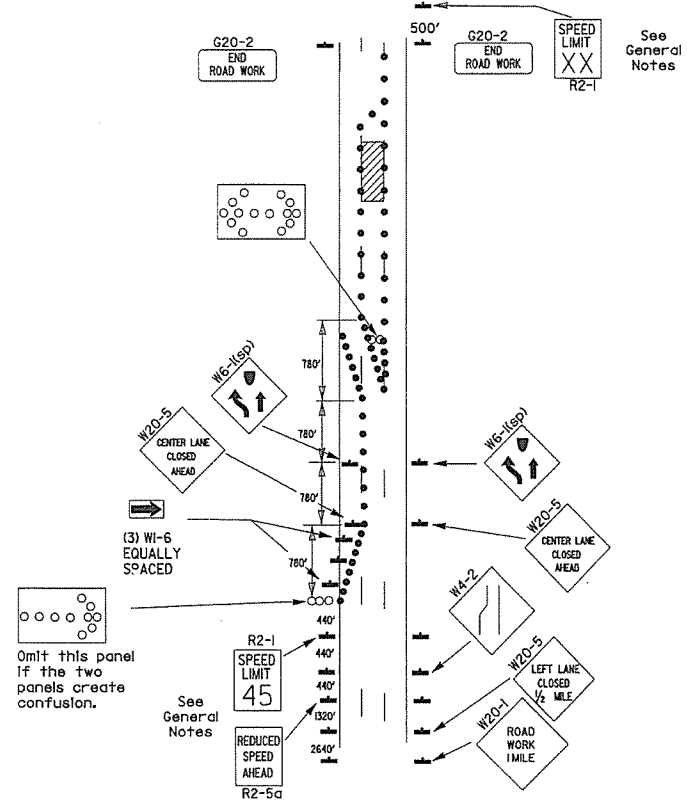
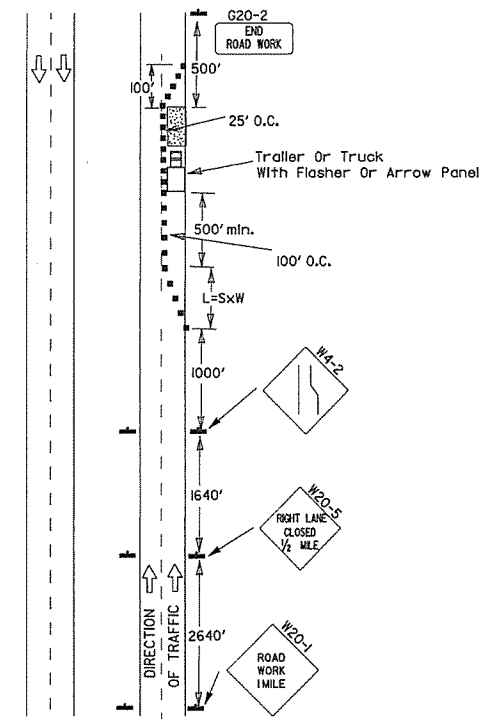
VERTICAL PANEL PLACEMENT



NOTES:
 USE SPLICES ONLY WHEN NECESSARY FOR INSTALLATION. TYPICAL INSTALLATION SHOULD HAVE NO SPLICES (SEE STD. DRAWING NO. SHS-2).
 NORMAL INSTALLATIONS WILL REQUIRE 1/4" DIA. BOLTS TO MOUNT SIGNS TO POST AND 5/16" DIA. BOLTS TO ASSEMBLE THE VARIOUS POST SUPPORTS. EACH OF THESE BOLTS SHALL BE CARRIAGE BOLTS.
 SIGN POSTS SHALL BE PAINTED GREEN; SIGNS SHALL NOT BE PAINTED, AND ALL SIGN POSTS SHALL BE PLUMB.



DATE	REVISION	FILED
10-15-09	ADDED REFERENCE TO MASH	
11-20-08	REVISED SIGN DESIGNATIONS	
11-18-04	ADDED NOTE	
10-1-98	ADDED NOTE	
4-03-97	ADDED (SPI TO W6-1& REVISED TRAFFIC CONTROL DEVICES NOTE	
10-18-96	ADDED R55-1	
10-12-95	MOVED UPPER SPLICE	
6-8-95	REVISED SPLICE DETAIL, TEXT	6-8-95
2-2-95	REVISED PER PART VI, MUTCD, SEPT. 3, 1993	
8-15-91	DRAWN AND PLACED IN USE	

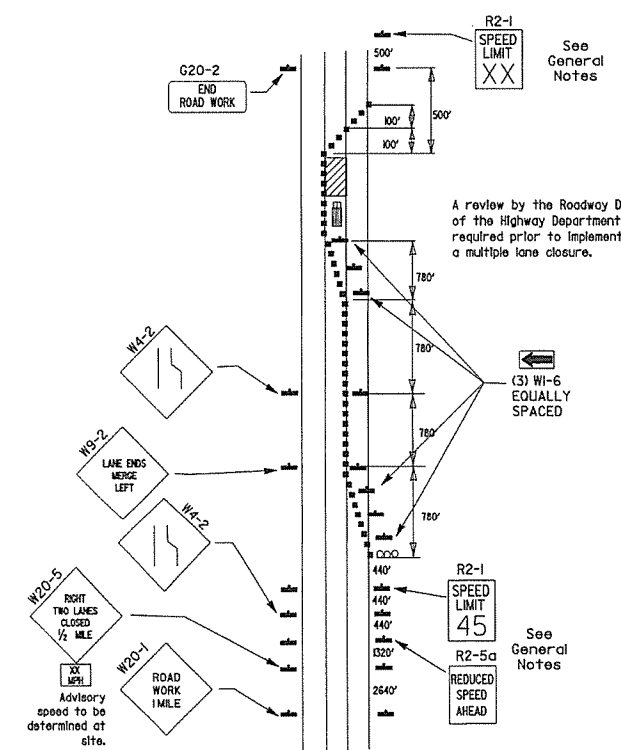


(B) Typical application - 3-lane oneway roadway where center lane is closed.

- KEY:**
 ○ Arrow Panel (if Required)
 ■ Channelizing Device
 ● Traffic drum

GENERAL NOTES:

- A speed limit reduction may be implemented ONLY when designated in the plan or when recommended by the Roadway Design Division.
- When the existing speed limit is 55mph and the plans require a speed limit of 45mph, the R2-1(55) shall be omitted and the R2-5A shall be installed at that location. Additional R2-145mph speed limit signs shall be installed at a maximum of 1/2 mile intervals. At the end of the work area a R2-1(XX) shall be installed to match original speed limit.
- When the existing speed limit is 65mph and the plans require a speed limit of 55mph, the R2-1(45) shall be omitted. Additional R2-155mph speed limit signs shall be installed at a maximum of 1/2 mile intervals. At the end of the work area a R2-1(XX) shall be installed to match original speed limit.
- The maximum spacing between channelizing devices in a taper should be approximately equal in feet to the speed limit. Beyond the taper, maximum spacing shall be two times the speed limit or as directed by the Engineer.
- Warning lights and/or flags may be mounted to signs or channelizing devices at night as needed.
- Pavement markings no longer applicable which might create confusion in the minds of vehicle operators shall be removed or obliterated as soon as practicable.
- The G20-1 sign will be required on jobs of over two miles in length. When the lane closure is not at the beginning of the project, the G20-1 sign shall be erected 1/2 mile in advance of the job limit. Additional W20-1 (1/2 MILE) signs are not required in advance of lane closures that begin inside the project limits.
- Flaggers shall use STOP/SLOW paddles for controlling traffic through work zones. Flags may be used only for emergency situations.
- All plastic drums and cones shall meet the requirements of NCHRP-350 or Manual For Assessing Safety Hardware (MASH).
- Trailer mounted devices such as arrow panels and portable changeable message signs shall be delineated by affixing conspicuity material in a continuous line on the face of the trailer. When placed on or adjacent to the shoulder and not behind a positive barrier, these devices shall be delineated by placing five (5) traffic drums, equally spaced along the traffic side of the device.

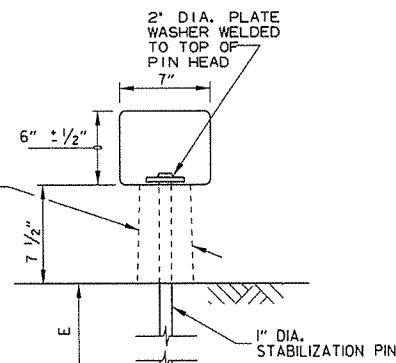
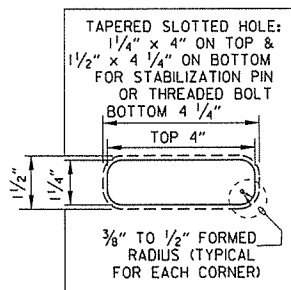
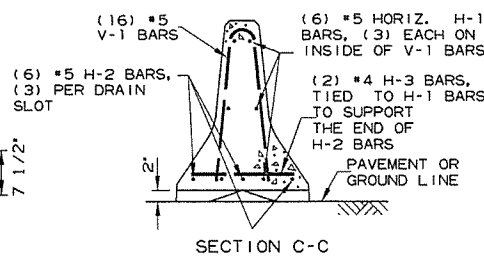
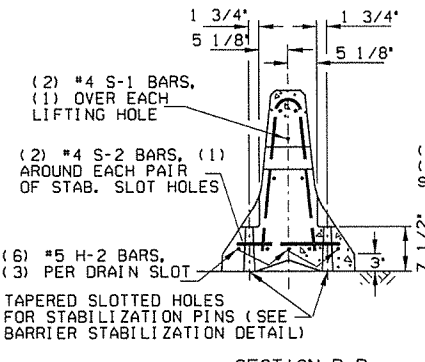
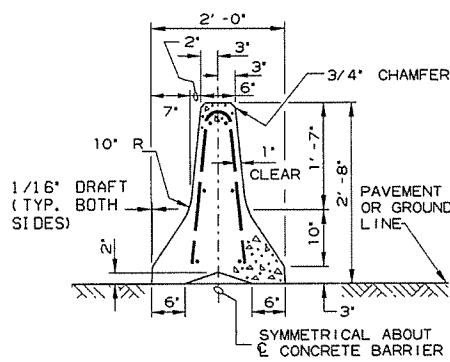
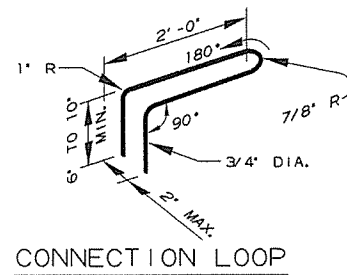
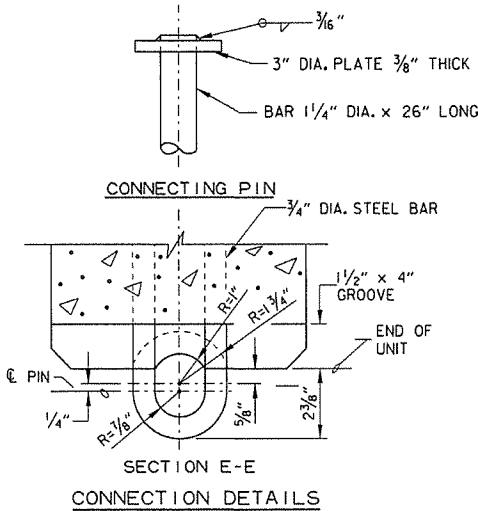


(D) Typical application - closing multiple lanes of a multilane highway.

(A) Typical application - daytime maintenance operations of short duration on a 4-lane divided roadway where half of the roadway is closed.

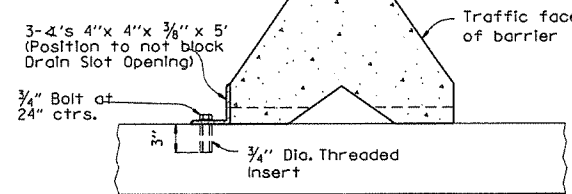
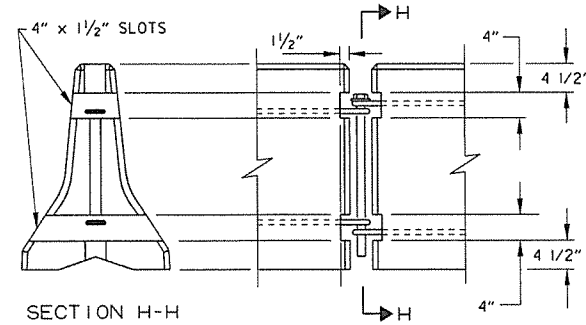
(C) Typical application - construction operations of intermediate to long term duration on a 4-lane divided roadway where half of the roadway is closed.

REINFORCING BAR TABLE PER BARRIER UNIT				
MARK	LOCATION	BAR SIZE	(NO. BARS)	SKETCH
H-1	HORIZONTAL IN BARRIER TIED INSIDE V-1 BARS	#5	(6)	19'-3"
H-2	CENTERED ABOVE DRAIN SLOTS LONG. & TRANSVERSELY	#5	(6)	6'-6"
H-3	TIED ABOVE H-1 BARS TO SUPPORT H-2, TIED TO V-1	#4	(2)	1'-6"
S-1	OVER LIFT HOLES	#4	(2)	
S-2	HORIZ. AROUND SLOTS BETWEEN V-1'S & DRAIN SLOTS	#4	(2)	
V-1	VERTICAL IN BARRIER (3) EACH END & (2) AT EACH DRAIN SLOTS	#5	(16)	

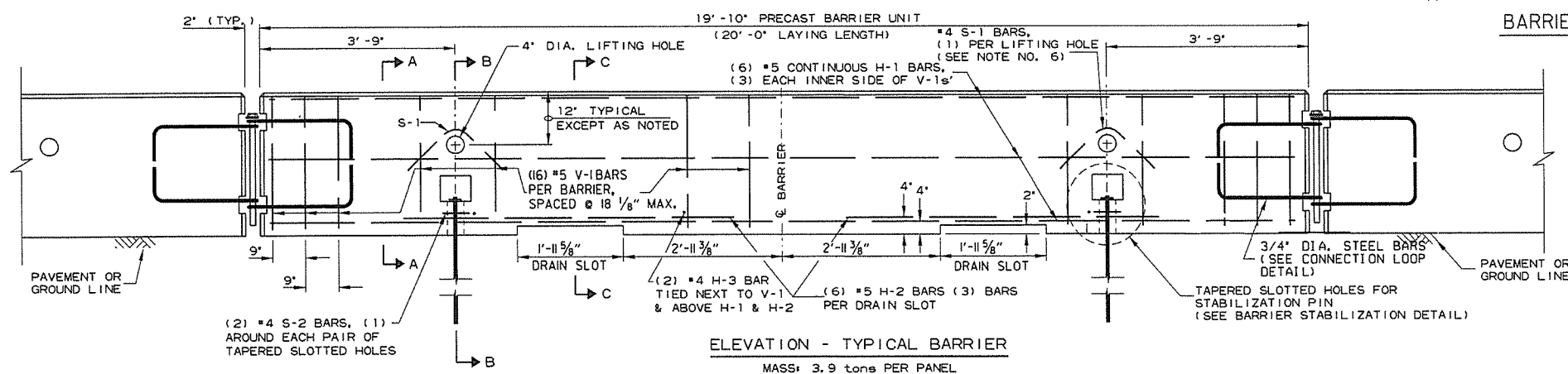
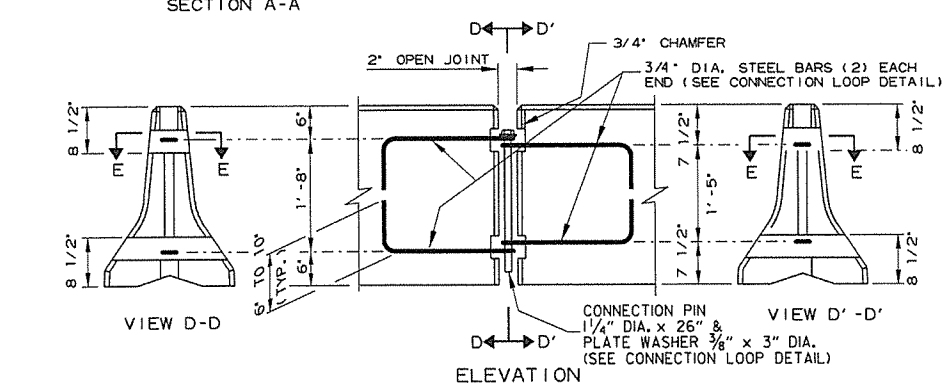


ROADWAY SECTION

- (E) 4" - Concrete Pavement
- 8" - Asphalt Pavement
- 12" - Shoulder Areas



NOTE: 3/4" Threaded Inserts shall be cast in place for all new bridge decks and drilled and grouted for existing bridge decks. Inserts shall have a minimum ultimate load capacity of 8000 lbs. in tension. After removal of barrier, bolts, and angles, the inserts shall be filled with approved non-shrink epoxy.



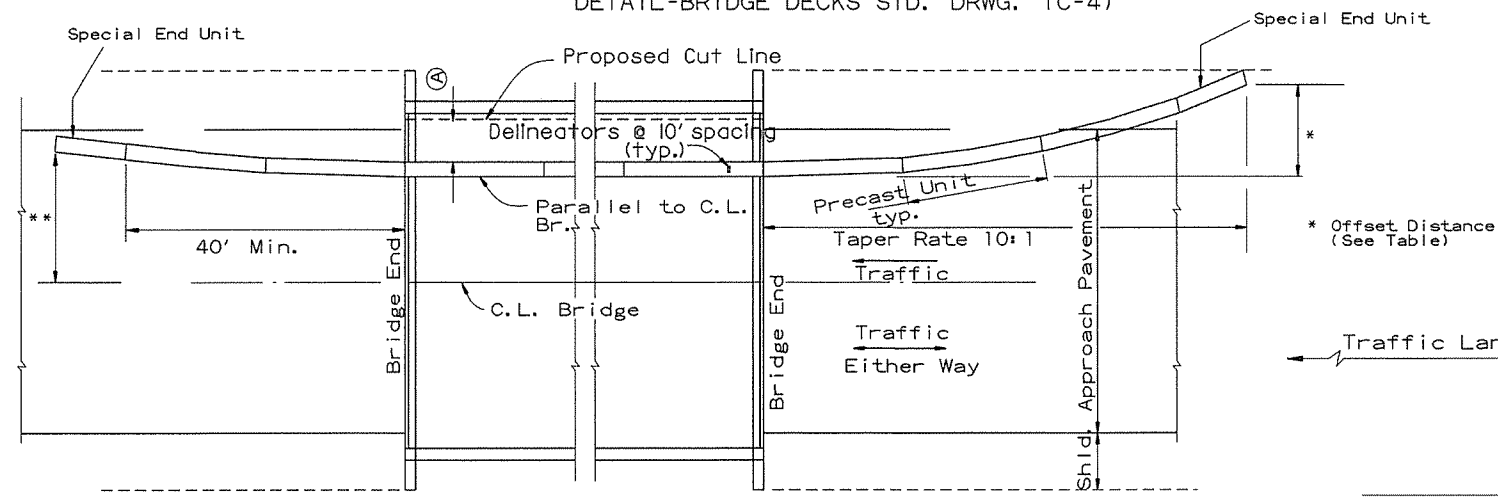
- General Notes**
- The contractor shall furnish the Precast Concrete Barrier Units and shall be responsible for the manufacture, shipment, storage, placement and removal. At the completion of the project, the precast units will remain the property of the contractor.
 - Materials shall meet the following minimum requirements:
Concrete: 2500 psi compressive strength at 28 days.
Reinforcing Steel: AASHTO M 31 or M 53, Grade 60
Structural Steel: AASHTO-M270 Grade 36 shall be used for the Connection Pin, Connection Loops, and Stabilization Pins. A One Piece Pin with a 3" rounded top may be used in place of the detailed Connection Pin.
Delineators: Delineators shall be mounted at 10' spacing on top of precast barrier.

In applications where barrier walls within 6 feet of a traffic lane, additional delineators shall be placed on the barrier at 10' spacing approximately one (1) foot from the top of the barrier. Delineators shall be on the AHTD Qualified Products List for Construction Concrete Barrier Markers. Delineator color shall be in accordance with the Manual on Uniform Traffic Control Devices. Payment for delineators shall be considered included in the price bid per Lin. Ft. for "Furnishing and installing Precast Concrete Barrier". The contractor shall certify to the Engineer that the material and the design used in the precast barrier units meets the requirements as shown on this standard drawing.
 - Other Precast Concrete Barriers that have been crash tested and approved by the Federal Highway Administration to meet the requirements of NCHRP-350 test level 3 or Manual For Assessing Safety Hardware (MASH) will be accepted in lieu of the barrier shown. Drain slots shall be provided as needed or as directed by the Engineer. The Contractor shall furnish a certification of NCHRP Report 350 or Manual For Assessing Safety Hardware (MASH) compliance for any other types of precast barrier to be used. The certification shall state that the precast concrete barrier meets the requirements of NCHRP Report 350 or Manual For Assessing Safety Hardware (MASH) and include a copy of the Federal Highway Administration's (FHWA) approval letter with all attachments. Precast concrete barrier units shall be fabricated and installed in accordance with crash testing and documentation provided in the FHWA approval letter. Mixing of shapes will not be allowed in a continuous line of units.
 - Dowel holes in pavement or bridge slabs that are to remain in place shall be filled. Holes in concrete pavement and bridge slabs shall be filled with an approved non-shrink epoxy grout. Holes in asphalt pavement shall be filled with an approved asphalt joint filler. Payment for drilling and filling holes to be included in the price for various barrier items.
 - Attach Units To Roadway Surface with Stabilization Pins and to Deck Slabs using bolts when required.
 - A 4" White PVC Sleeve may be used to form the Lifting Hole and if used the Sleeve is to be left in place.

DATE	REVISION	FILMED
2-27-14	REVISED BARRIER STABILIZATION DETAIL	
10-15-09	ADDED REFERENCE TO MASH	
8-5-09	REV. NOTE 3 CONCERNING DRAIN SLOTS	
11-29-07	REVISED NOTE 3	
5-25-06	DELETED GENERAL NOTE 7	
11-18-04	REVISED BARRIER STABILIZATION DETAIL BRIDGE DECKS	
4-10-03	REVISED GENERAL NOTE 2	
8-22-02	ISSUED NEW DRAWING	

ARKANSAS STATE HIGHWAY COMMISSION
STANDARD TRAFFIC CONTROLS
FOR HIGHWAY CONSTRUCTION -
TEMPORARY PRECAST BARRIER
STANDARD DRAWING TC-4

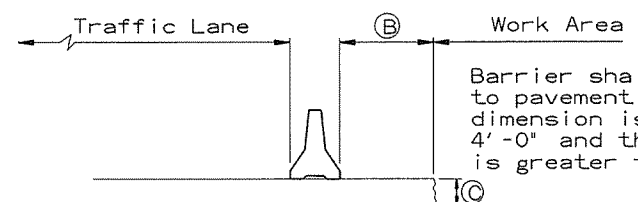
(A) 4 feet or greater preferred. If less than 4 feet, Precast Units shall be connected to slab (SEE BARRIER STABILIZATION DETAIL-BRIDGE DECKS STD. DRWG. TC-4)



BARRIER PLACEMENT ALONG BRIDGE WITH OFFSET

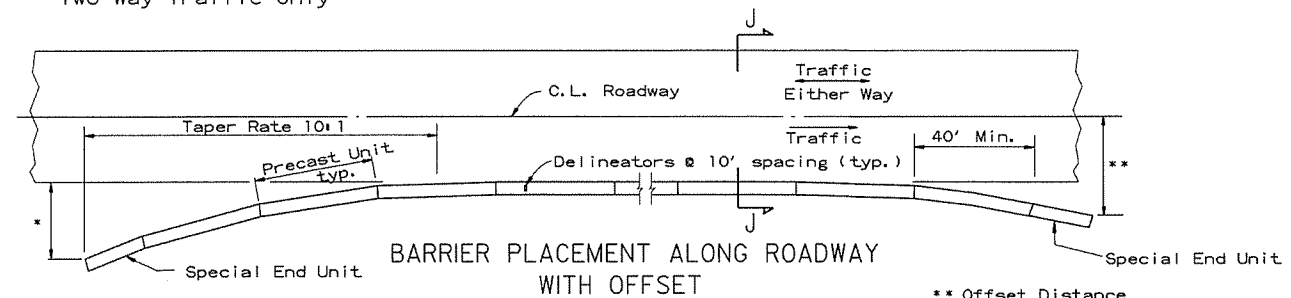
No Scale

** Offset Distance for Two Way Traffic Only



SECTION J-J

No Scale



BARRIER PLACEMENT ALONG ROADWAY WITH OFFSET

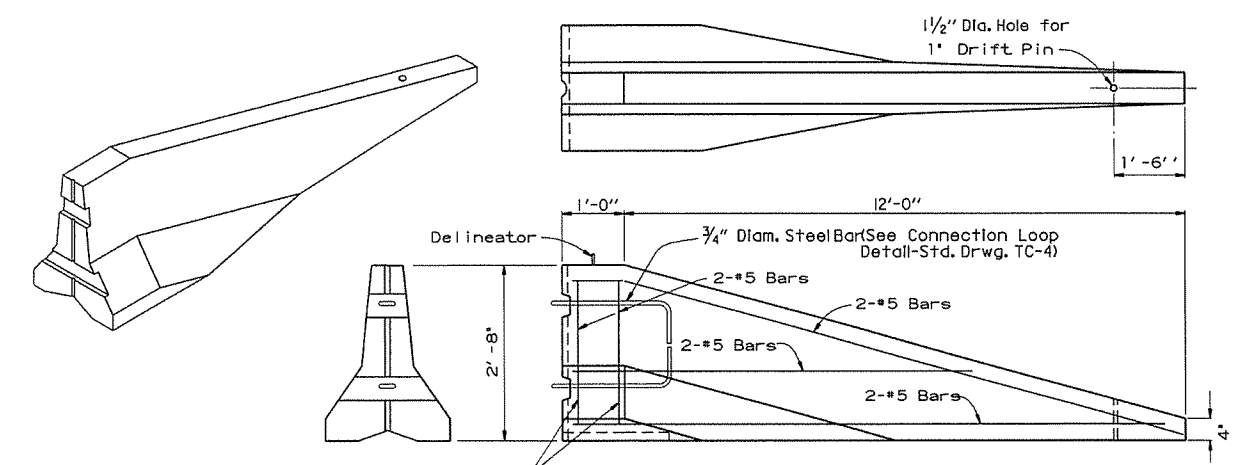
No Scale

** Offset Distance For Two Way Traffic Only

* Offset Distance (See Table)

Speed (MPH)	Offset Distance (FT.)
≤ 45	12
> 45	18

If offset distance is not attainable, then see 'Barrier Placement With Attenuator' Detail shown below.

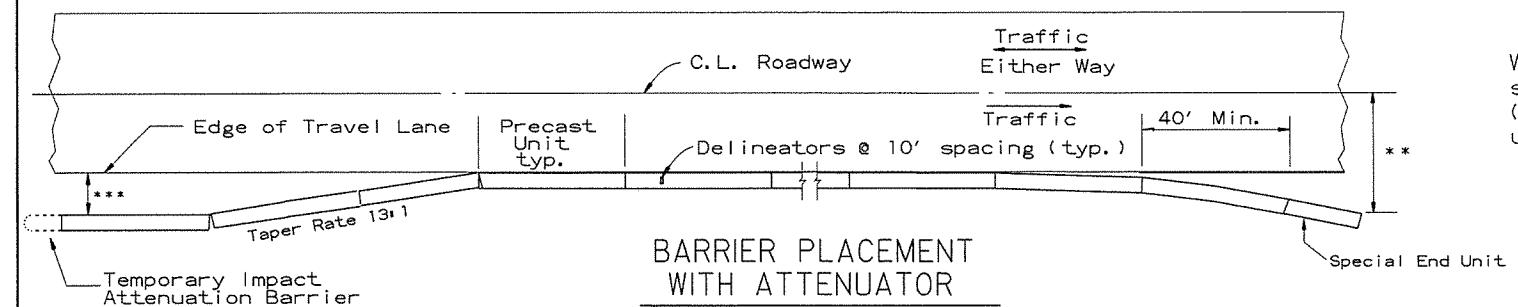


SPECIAL END UNIT

No Scale

General Notes

When shown on the Plans, the ends of the Temporary Precast Concrete Barrier shall be protected with an NCHRP-350 or Manual For Assessing Safety Hardware (MASH) approved Crash Cushion. Payment for Crash Cushions shall be made under the item of "Temporary Impact Attenuation Barrier."



BARRIER PLACEMENT WITH ATTENUATOR

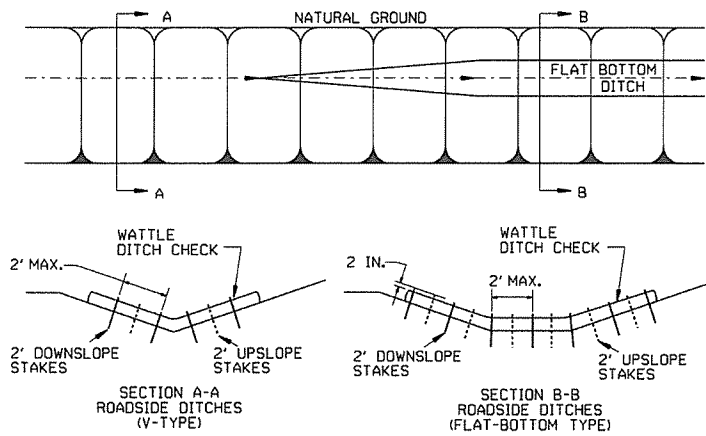
No Scale

** Offset Distance For Two Way Traffic Only

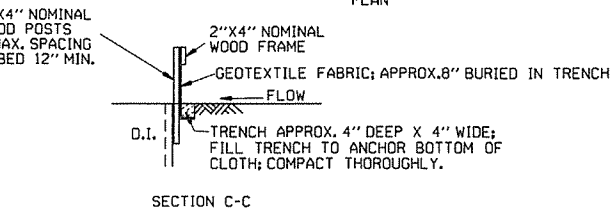
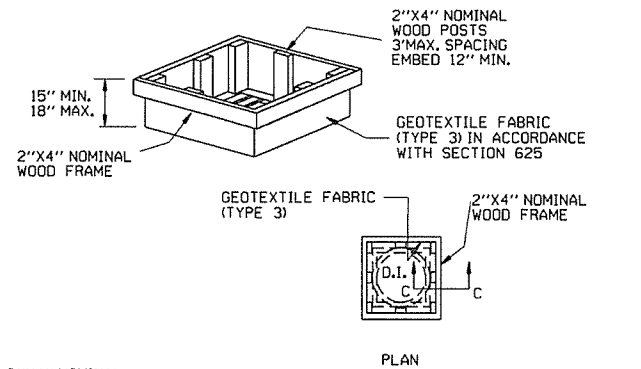
***Min. 3'-0" From Edge of Travel Lane to Nearest Edge of Attenuator

			ARKANSAS STATE HIGHWAY COMMISSION
			STANDARD TRAFFIC CONTROLS FOR HIGHWAY CONSTRUCTION - TEMPORARY PRECAST BARRIER
			STANDARD DRAWING TC-5
10-15-09	ADDED REFERENCE TO MASH		
5-25-06	REVISED BARRIER PLACEMENT		
8-22-02	ISSUED NEW DRAWING		
DATE	REVISION	FILMED	

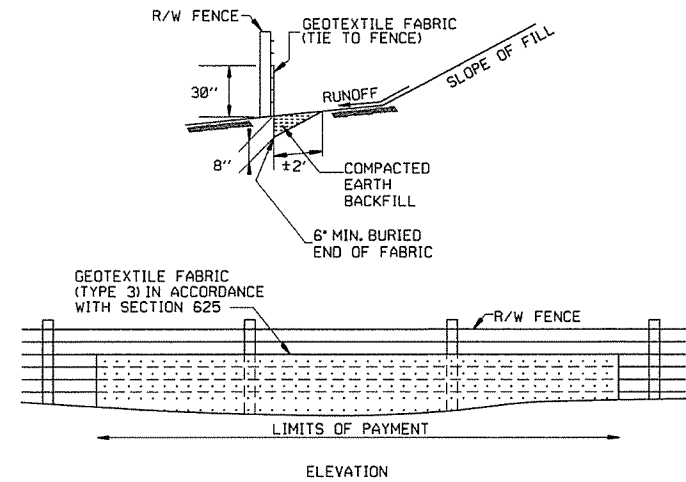
GENERAL NOTES
INSTALL A MINIMUM OF 2 UPSLOPE STAKES AND 4 DOWNSLOPE STAKES AT AN ANGLE TO WEDGE WATTLE TO BOTTOM OF DITCH.



WATTLE DITCH CHECK (E-1)



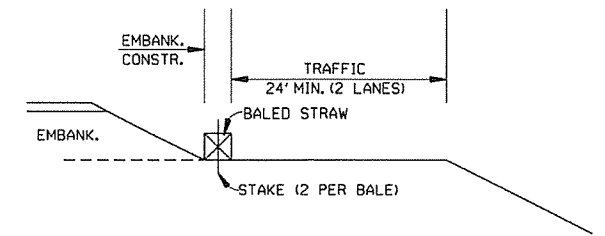
DROP INLET SILT FENCE (E-7)



SILT FENCE ON R/W FENCE (E-4)

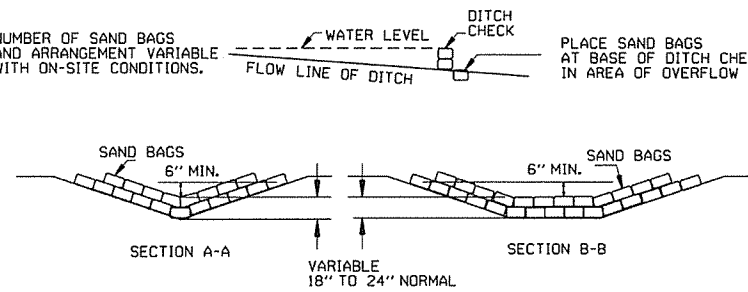
GENERAL NOTES
GEOTEXTILE FABRIC SHALL BE SPLICED TOGETHER WITH A SEWN SEAM ONLY AT A SUPPORT POST, OR TWO SECTIONS OF FENCE MAY BE OVERLAPPED INSTEAD. PAYMENT OF ADDITIONAL MATERIAL FOR OVERLAP WILL NOT BE MADE.

- GENERAL NOTES
1. STRAW BALES SHALL BE INSTALLED SO THAT THE BINDINGS ARE ORIENTED AROUND THE SIDES RATHER THAN ALONG THE TOPS AND BOTTOMS OF THE BALES. THE BALES SHALL BE A MINIMUM OF 30 INCHES IN LENGTH.
 2. NO GAPS SHALL BE LEFT BETWEEN BALES.
 3. BALED STRAW FILTER BARRIERS COMPLETED AND ACCEPTED WILL BE MEASURED BY THE BALE IN PLACE AS AUTHORIZED BY THE ENGINEER AND WILL BE PAID FOR AT THE CONTRACT UNIT PRICE BID PER BALE FOR BALED STRAW DITCH CHECKS.

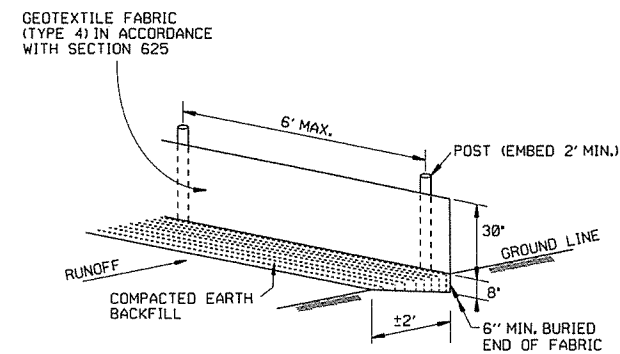


BALED STRAW FILTER BARRIER (E-2)

NUMBER OF SAND BAGS AND ARRANGEMENT VARIABLE WITH ON-SITE CONDITIONS. PLACE SAND BAGS AT BASE OF DITCH CHECK IN AREA OF OVERFLOW

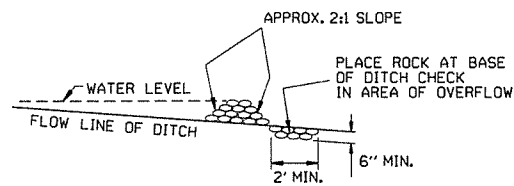


SAND BAG DITCH CHECK (E-5)



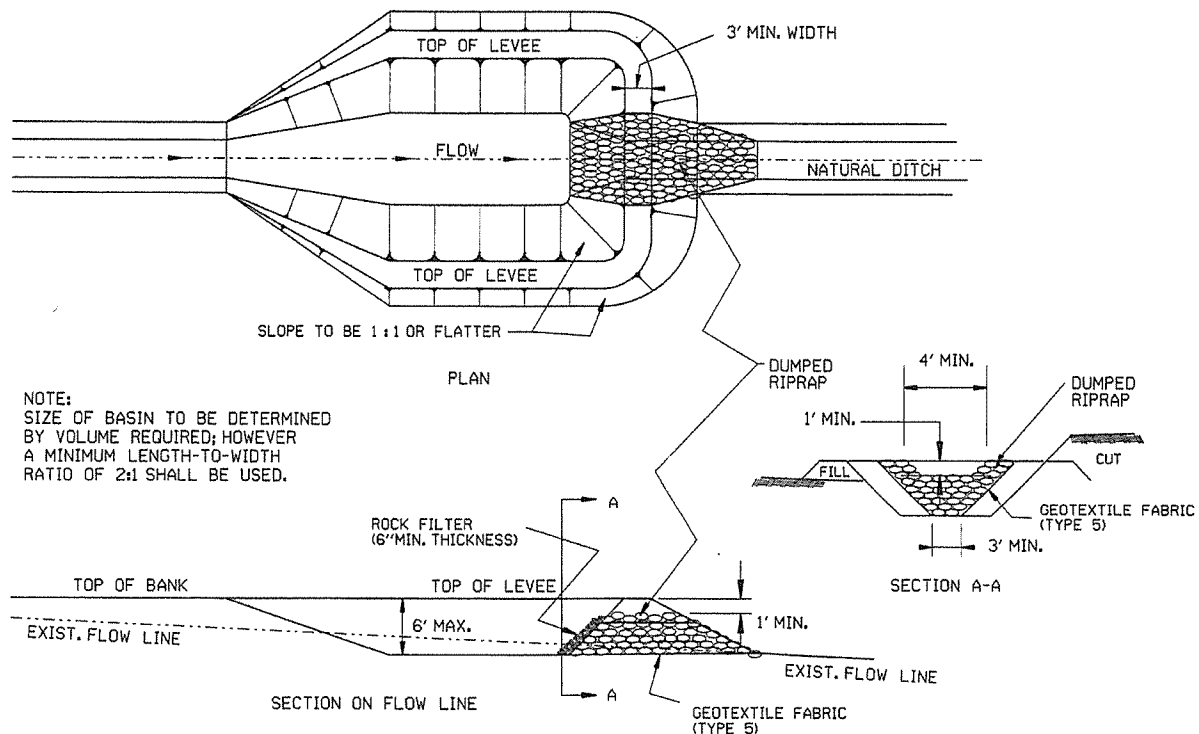
SILT FENCE (E-11)

GENERAL NOTES
GEOTEXTILE FABRIC SHALL BE SPLICED TOGETHER WITH A SEWN SEAM ONLY AT A SUPPORT POST OR TWO SECTIONS OF FENCE MAY BE OVERLAPPED INSTEAD. PAYMENT OF ADDITIONAL MATERIAL FOR OVERLAP WILL NOT BE MADE.



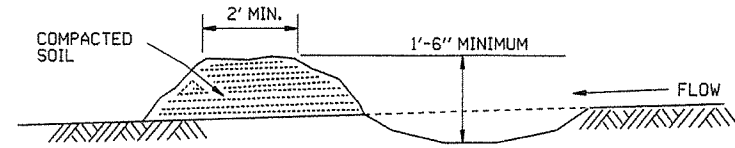
ROCK DITCH CHECK (E-6)

12-15-11	DELETED BALED STRAW DITCH CHECK & ADDED WATTLE DITCH CHECK		ARKANSAS STATE HIGHWAY COMMISSION
11-18-98	ADDED NOTES		
7-02-98	ADDED BALED STRAW FILTER BARRIER (E-2)		
7-20-95	REVISED SILT FENCE E-4 AND E-11	7-20-95	
7-15-94	REV. E-4 & E-11 MIN. 13" BURIED END OF FABRIC		
6-2-94	REVISED E-1, 4, 7 & 11; DELETED E-2 & 3	6-2-94	
4-1-93	REDRAWN		
10-1-92	REDRAWN		
8-2-76	ISSUED R.D.M.	298-7-28-76	
DATE	REVISION	FILMED	TEMPORARY EROSION CONTROL DEVICES STANDARD DRAWING TEC-1

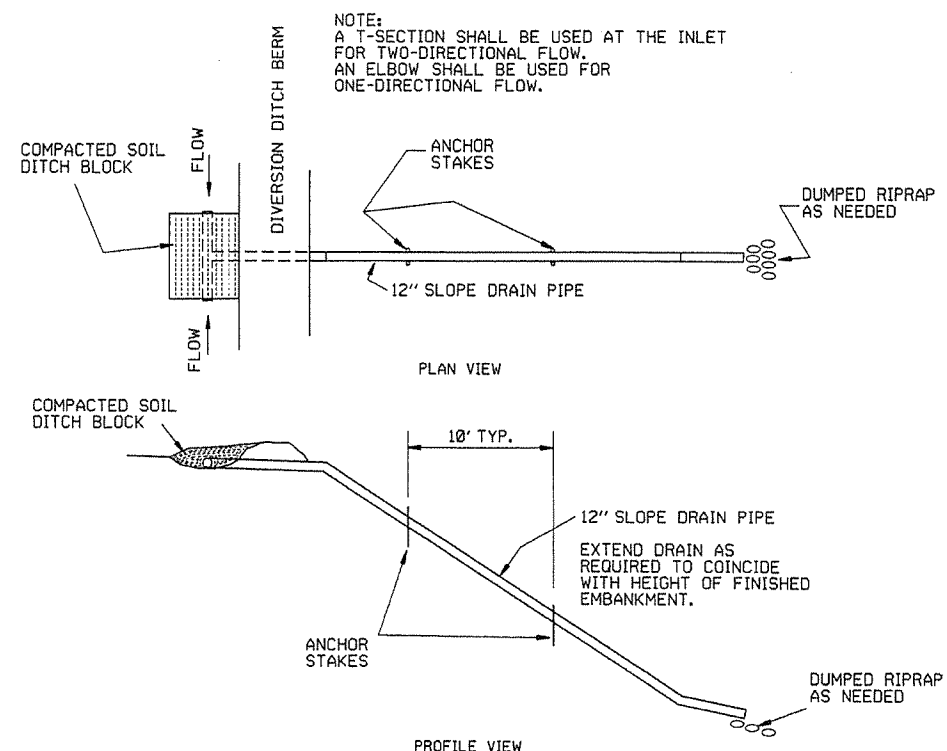


NOTE:
SIZE OF BASIN TO BE DETERMINED
BY VOLUME REQUIRED; HOWEVER
A MINIMUM LENGTH-TO-WIDTH
RATIO OF 2:1 SHALL BE USED.

SEDIMENT BASIN WITH RIPRAP OUTLET (E-9)

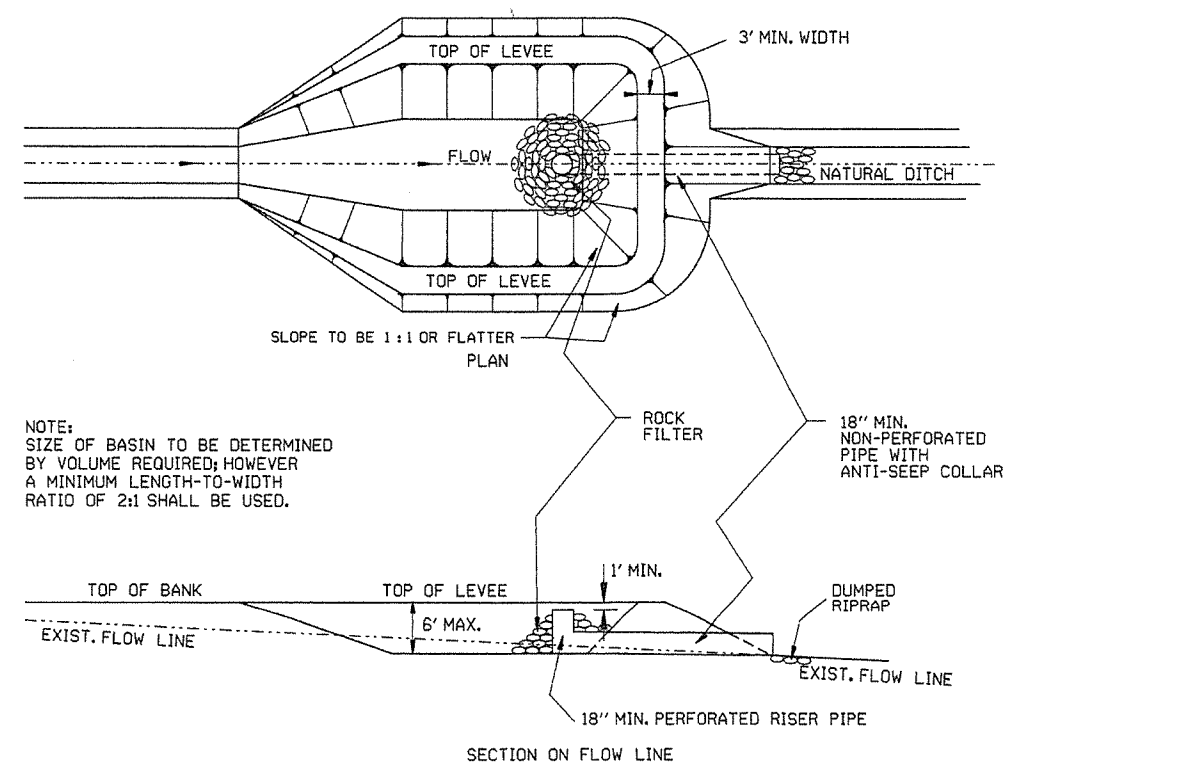


DIVERSION DITCH (E-8)



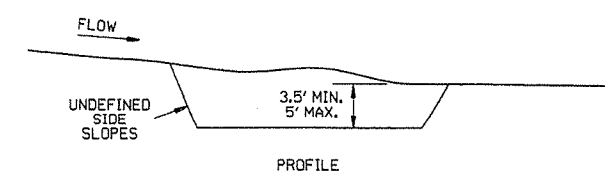
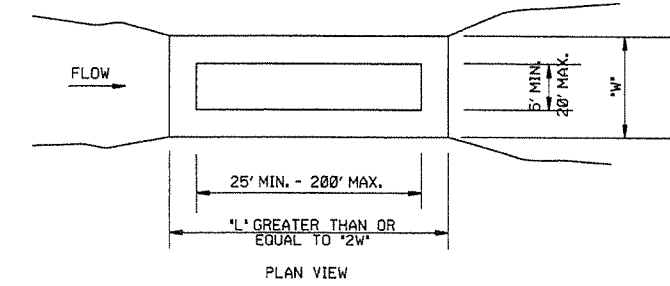
NOTE:
A T-SECTION SHALL BE USED AT THE INLET
FOR TWO-DIRECTIONAL FLOW.
AN ELBOW SHALL BE USED FOR
ONE-DIRECTIONAL FLOW.

SLOPE DRAIN (E-12)



NOTE:
SIZE OF BASIN TO BE DETERMINED
BY VOLUME REQUIRED; HOWEVER
A MINIMUM LENGTH-TO-WIDTH
RATIO OF 2:1 SHALL BE USED.

SEDIMENT BASIN WITH PIPE OUTLET (E-10)



SEDIMENT BASIN (E-14)

6-2-94	Revised E-8 & E-12; Added E-14 & Deleted E-13		
4-1-93	ISSUED		
DATE	REVISION		FILMED

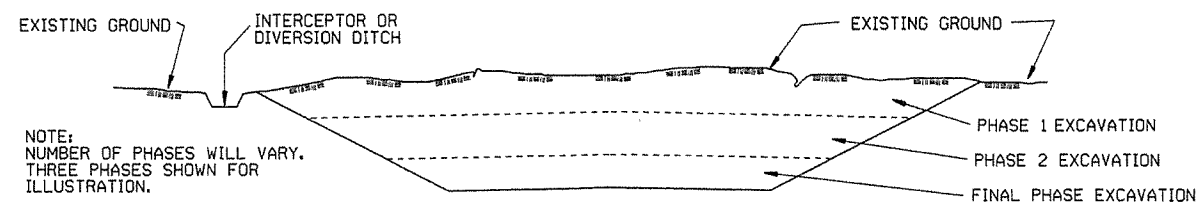
ARKANSAS STATE HIGHWAY COMMISSION
TEMPORARY EROSION CONTROL DEVICES
STANDARD DRAWING TEC-2

CLEARING AND GRUBBING

CONSTRUCTION SEQUENCE

1. PLACE PERIMETER CONTROLS (I.E. SILT FENCES, DIVERSION DITCHES, SEDIMENT BASINS, ETC.)
2. PERFORM CLEARING AND GRUBBING OPERATION.

EXCAVATION



NOTE:
NUMBER OF PHASES WILL VARY.
THREE PHASES SHOWN FOR
ILLUSTRATION.

GENERAL NOTE

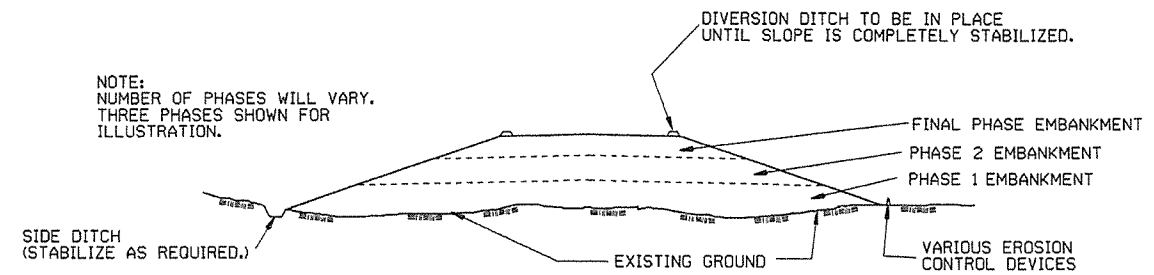
ALL CUT SLOPES SHALL BE DRESSED, PREPARED, SEEDED, AND MULCHED AS THE WORK PROGRESSES. SLOPES SHALL BE EXCAVATED AND STABILIZED IN EQUAL INCREMENTS NOT TO EXCEED 25 FEET, MEASURED VERTICALLY.

CONSTRUCTION SEQUENCE

1. EXCAVATE AND STABILIZE INTERCEPTOR AND/OR DIVERSION DITCHES.
2. PERFORM PHASE 1 EXCAVATION. PLACE PERMANENT OR TEMPORARY SEEDING.
3. PERFORM PHASE 2 EXCAVATION. PLACE PERMANENT OR TEMPORARY SEEDING.
4. PERFORM FINAL PHASE OF EXCAVATION. PLACE PERMANENT OR TEMPORARY SEEDING. STABILIZE DITCHES. CONSTRUCT DITCH CHECKS, DIVERSION DITCHES, SEDIMENT BASINS, OR OTHER EROSION CONTROL DEVICES AS REQUIRED.

EMBANKMENT

45



NOTE:
NUMBER OF PHASES WILL VARY.
THREE PHASES SHOWN FOR
ILLUSTRATION.

GENERAL NOTE

ALL EMBANKMENT SLOPES SHALL BE DRESSED, PREPARED, SEEDED, AND MULCHED AS THE WORK PROGRESSES. SLOPES SHALL BE CONSTRUCTED AND STABILIZED IN EQUAL INCREMENTS NOT TO EXCEED 25 FEET, MEASURED VERTICALLY.

CONSTRUCTION SEQUENCE

1. CONSTRUCT DIVERSION DITCHES, DITCH CHECKS, SEDIMENT BASINS, SILT FENCES, OR OTHER EROSION CONTROL DEVICES AS SPECIFIED.
2. PLACE PHASE 1 EMBANKMENT WITH PERMANENT OR TEMPORARY SEEDING. PROVIDE DIVERSION DITCHES AND SLOPE DRAINS IF EMBANKMENT CONSTRUCTION IS TO BE TEMPORARILY ABANDONED FOR A PERIOD OF GREATER THAN 21 DAYS.
3. PLACE PHASE 2 EMBANKMENT WITH PERMANENT OR TEMPORARY SEEDING. PROVIDE DIVERSION DITCHES AND SLOPE DRAINS IF EMBANKMENT CONSTRUCTION IS TO BE TEMPORARILY ABANDONED FOR A PERIOD OF GREATER THAN 21 DAYS.
4. PLACE FINAL PHASE OF EMBANKMENT WITH PERMANENT OR TEMPORARY SEEDING. PLACE DIVERSION DITCHES AND SLOPE DRAINS AND MAINTAIN UNTIL ENTIRE SLOPE IS STABILIZED.

ARKANSAS STATE HIGHWAY COMMISSION		
TEMPORARY EROSION CONTROL DEVICES		
STANDARD DRAWING TEC-3		
11-03-94	CORRECTED SPELLING	
6-2-94	Drawn & Issued	6-2-94
DATE	REVISION	FILMED

GENERAL NOTES:

STEEL LINE POSTS SHALL BE PAINTED OR GALVANIZED. TUBULAR END, CORNER, PULL, OR DIAGONAL BRACES MUST CONFORM TO THE DIMENSIONS AND WEIGHTS SPECIFIED ON STANDARD DRAWING WF-3 (CHAIN LINK). APPROVED ALTERNATES ARE ACCEPTABLE. AN ACCEPTABLE TOLERANCE IN LENGTH OF TUBULAR OR WOODEN POSTS SHALL BE -1" TO +2". TUBULAR POSTS MUST BE PAINTED OR GALVANIZED.

THE CONTRACTOR SHALL FURNISH AT LEAST 25% OF TIMBER LINE POSTS OF 7 FOOT LENGTHS IN ORDER TO PROVIDE SUFFICIENT SET IN SOFT GROUND OR SMALL DEPRESSIONS.

DRIVEWAY GATES, EITHER SINGLE 12' TO 16' OR DOUBLE 6' TO 8' OPENING OF THE SAME TYPE AS THE PEDESTRIAN GATE, SHALL BE INSTALLED ON THE RIGHT SIDE OF EACH THROUGH LANE ROAD AT LARGE CULVERTS OR BRIDGE CROSS FENCE, FOR USE OF MAINTENANCE EQUIPMENT. LOCATION OF GATES TO BE SHOWN ON PLANS OR AS DESIGNATED BY THE ENGINEER.

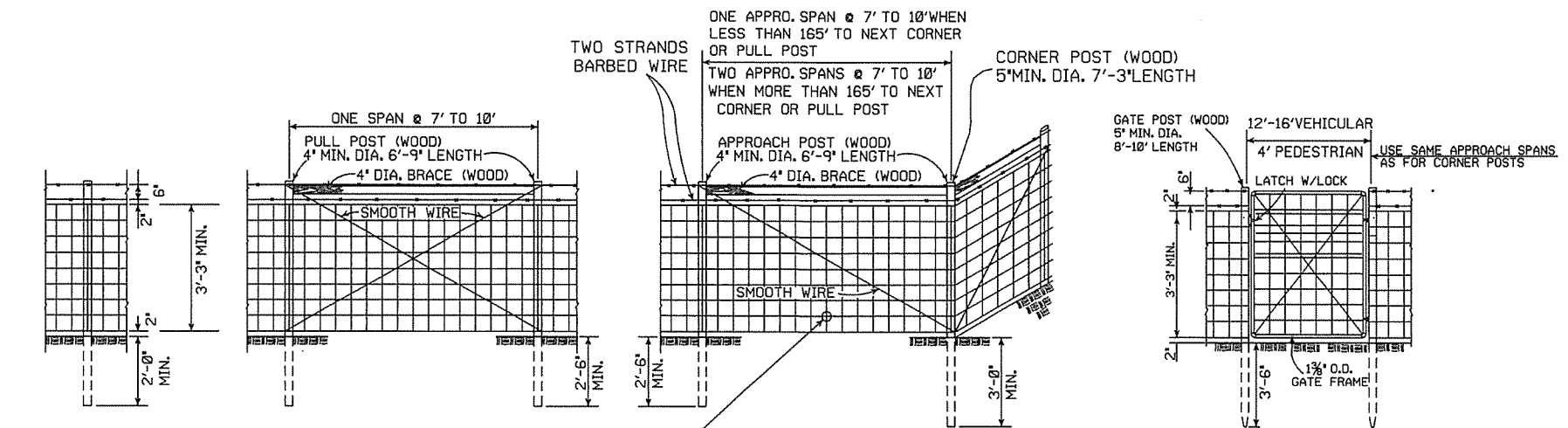
AT STREAM CROSSINGS, THE FENCE SHALL NOT BE CONSTRUCTED ACROSS LARGE STREAMS. WHERE CLEARANCE IS SUFFICIENT FROM THE TOP OF THE BANK TO THE BRIDGE STRUCTURE A CROSS CONNECTION SHALL BE CONSTRUCTED BETWEEN THE FENCE ON EACH SIDE OF THE ROAD. WHERE THE CLEARANCE IS NOT SUFFICIENT, THE FENCE SHALL BE TERMINATED WITH CROSS CONNECTIONS AND END POSTS ADJACENT TO BRIDGE ABUTMENTS OR CULVERT WINGWALLS.

NOTE: USE 3/8" X 1 1/2" LAG BOLT & SHIELD OR AS APPROVED BY THE ENGINEER.

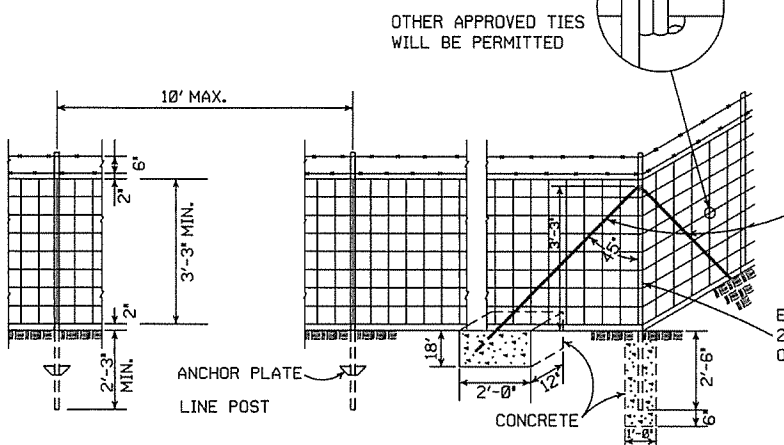
SPLICE FOR BARBED WIRE BETWEEN PULL POST ASSEMBLY SHALL BE BY THE 'EYE METHOD' AS DESCRIBED AS FOLLOWS: THE ENDS OF THE BARBED WIRE SHALL BE BENT TO FORM A LOOP. THE LOOPS SHALL BE CONNECTED. AFTER THE LOOPS ARE CONNECTED THE ENDS OF THE WIRE SHALL BE WRAPPED AROUND THE PROJECTING WIRES A MINIMUM OF 4 TIMES FOR EACH WIRE LOOP.

SPLICE FOR WOVEN WIRE BETWEEN PULL POST SHALL BE BY THE 'WESTERN UNION METHOD' AS DESCRIBED AS FOLLOWS: THE VERTICAL WIRES FOR EACH END OF THE FENCE FABRIC SHALL BE PLACED SIDE BY SIDE AND THE PROJECTING HORIZONTAL WIRES SHALL BE WRAPPED A MINIMUM OF 4 TIMES AROUND THE HORIZONTAL WIRES OF THE FIRST WEB.

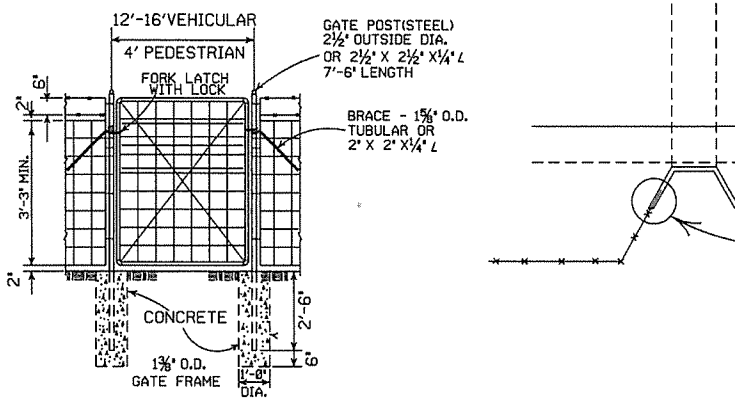
STAPLE AT LEAST TOP, BOTTOM AND ALTERNATE WIRES OF WOVEN FABRIC FOR WOOD LINE POSTS.



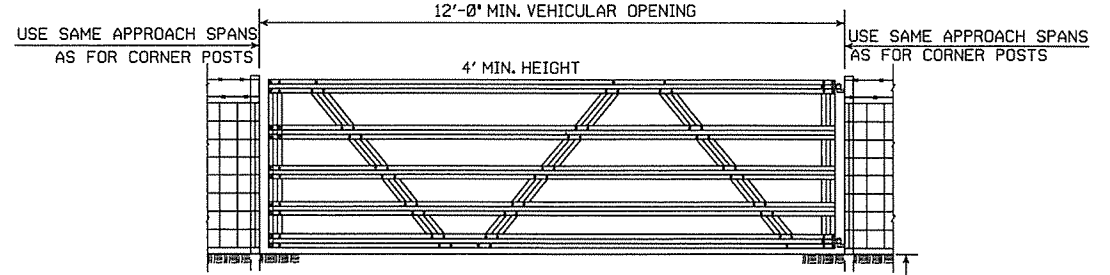
TYPE C FENCE (WOOD POSTS)



TYPE C FENCE (STEEL POSTS)



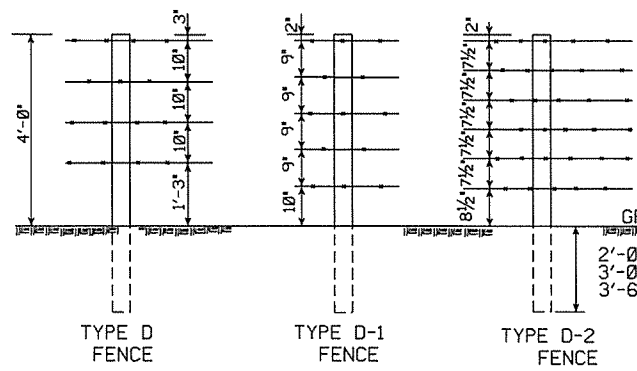
DETAIL OF FENCE CONSTRUCTION AT LARGE CULVERTS (5' IN HEIGHT AND OVER)



TYPICAL VEHICULAR GATES (ALTERNATE TYPE)

OTHER STYLE VEHICULAR GATES MAY BE USED WITH THE APPROVAL OF THE ENGINEER. THE METHOD OF SECURING GATE (LATCH AND/OR LOCK) SHALL MEET THE APPROVAL OF THE ENGINEER.

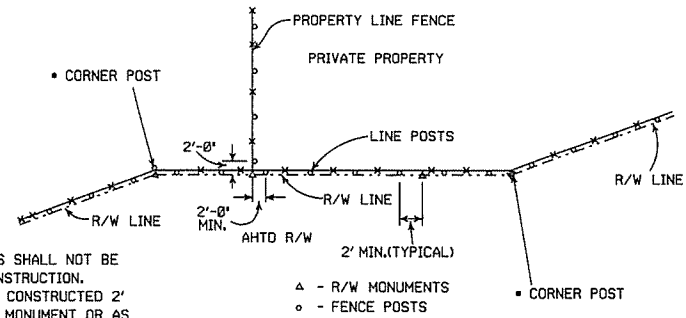
- 4 STRANDS BARBED WIRE (D)
- 5 STRANDS BARBED WIRE (D-1)
- 6 STRANDS BARBED WIRE (D-2)



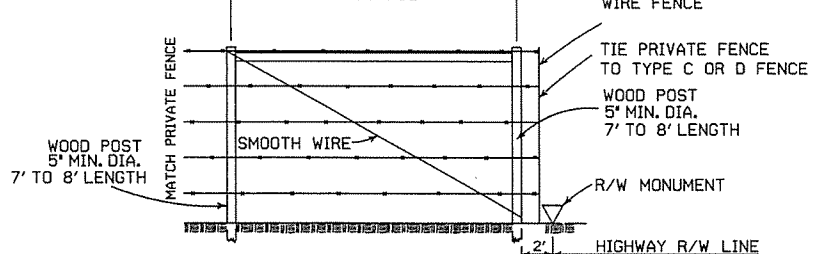
NOTE: SPACING AND SIZE (EXCEPT LENGTH) OF POSTS, APPROACH SPANS, PULL POST ASSEMBLIES, AND CORNER BRACING FOR TYPE D FENCE SHALL CONFORM TO TYPE C FENCE. USE GALVANIZED STAPLES ON WOOD POSTS AND APPROVED FASTENERS ON STEEL POSTS.

NOTE: RIGHT-OF-WAY MONUMENTS SHALL NOT BE DISTURBED BY FENCE CONSTRUCTION. CORNER POSTS SHALL BE CONSTRUCTED 2' FROM THE RIGHT-OF-WAY MONUMENT OR AS DIRECTED BY THE ENGINEER.

RIGHT-OF-WAY FENCE LOCATION



PRIVATE FENCE TERMINAL INSTALLATION



WHERE EXISTING FENCE CONSISTS OF STEEL POSTS, USE END POST ASSEMBLY AS SHOWN IN TYPE C FENCE OR OTHER END POST ASSEMBLY AS APPROVED BY THE ENGINEER.

8-22-02	REVISED GENERAL NOTES	
10-18-96	REVISED AASHTO	
11-22-95	REVISED R-O-W LOCATION DETAIL	
6-2-94	REVISED R-B WIRE AND ADDED CORNER POST NOTES	6-2-94
8-5-93	REVISED R/W INSTALLATION FENCE	8-5-93
10-1-92	ADDED STAPLE NOTE	10-1-92
8-15-91	ADDED TYPE D-2 FENCE	8-15-91
11-30-89	DELETED CLASS CONCRETE	11-30-89
7-15-88	ADDED SPLICE NOTE	700-7-15-88
10-30-87	GENERAL REVISIONS	549-10-30-87
11-1-84	MAX. POST SPACING MIN. WIRE GAUGE	507-11-1-84
1-4-83	MIN. DIA. LINE POST	648-1-4-83
3-2-81	TOLERANCE FOR POST LENGTH	722-3-2-81
12-1-72	ADDED D-1 & FENCE INSTALLATION	564-12-1-72
10-2-72	REVISED AND REDRAWN	540-10-2-72
DATE	REVISION	FILMED

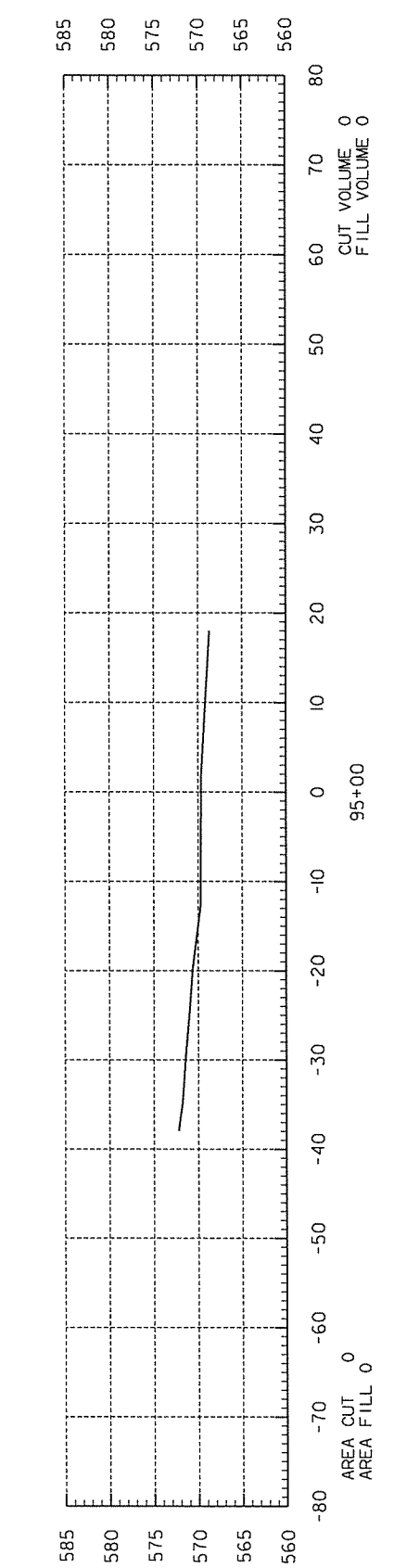
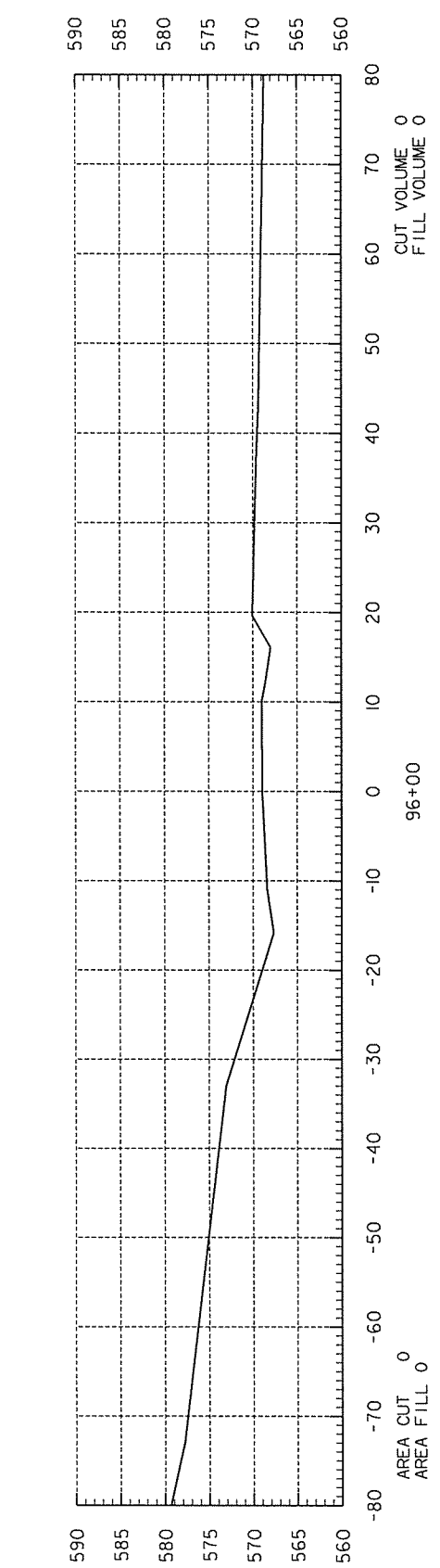
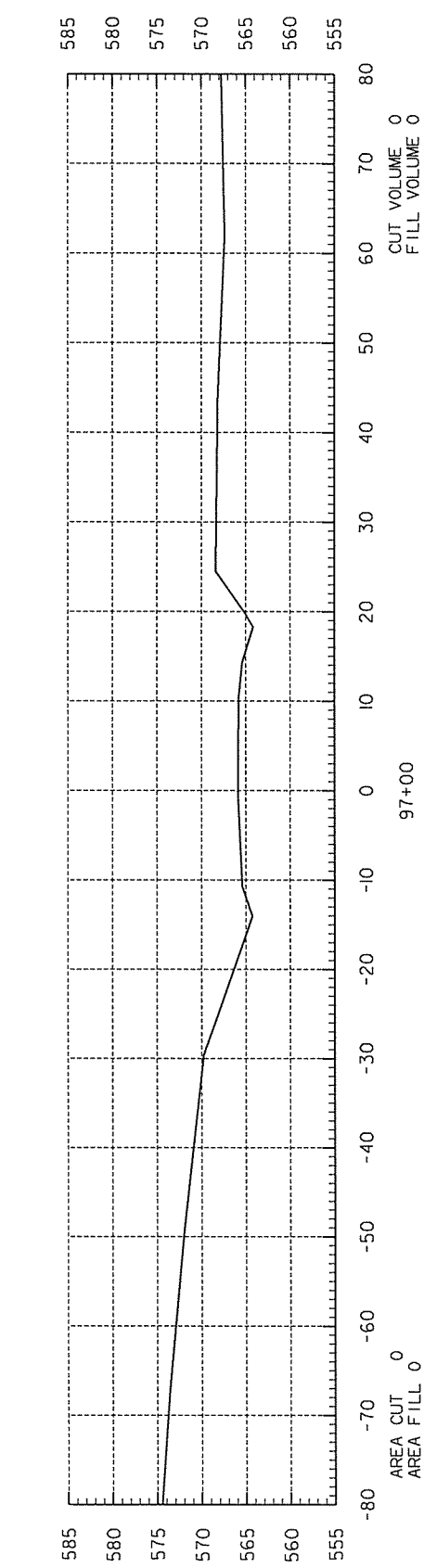
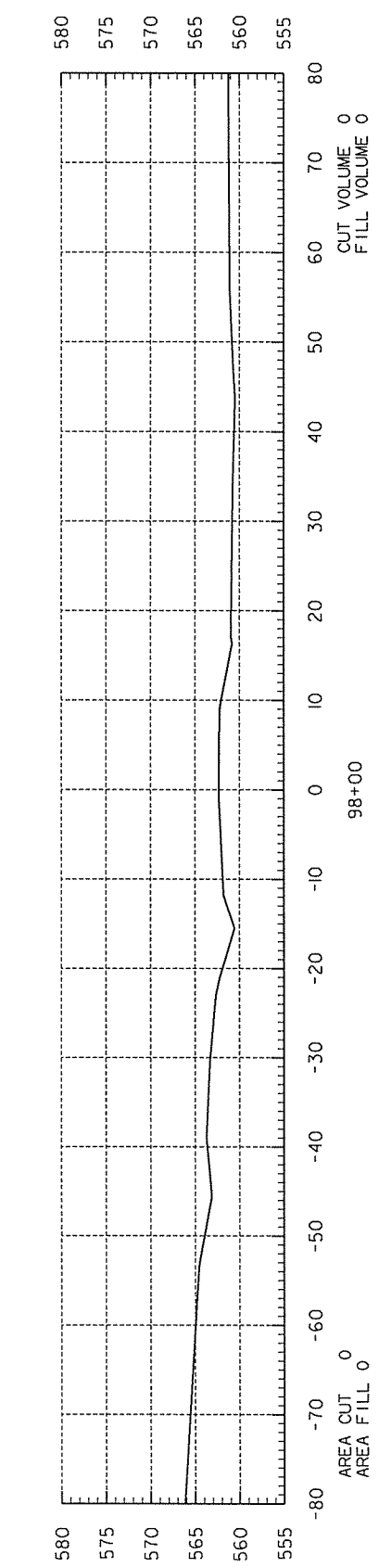
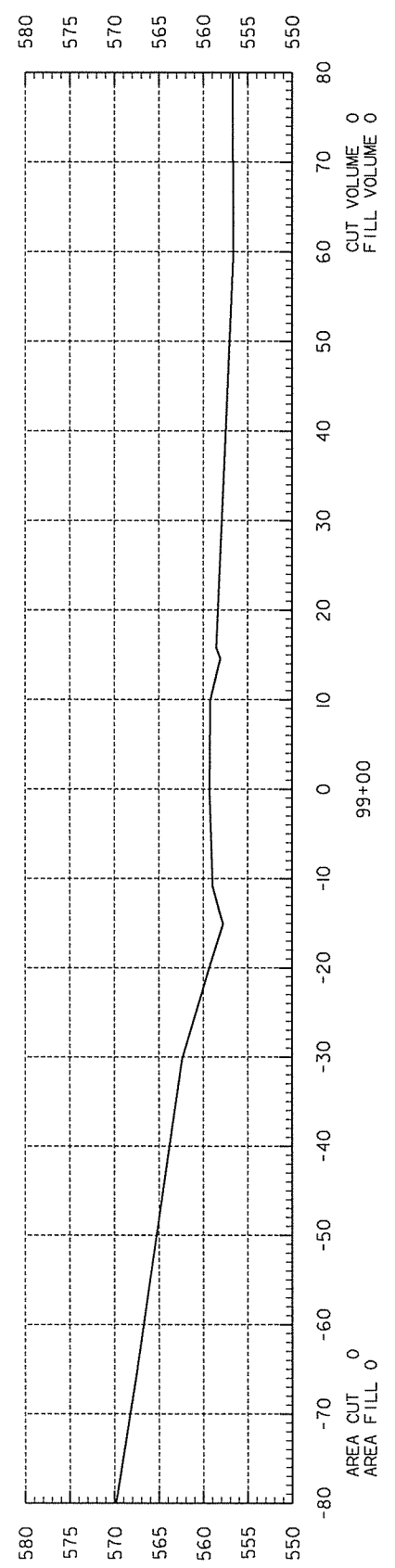
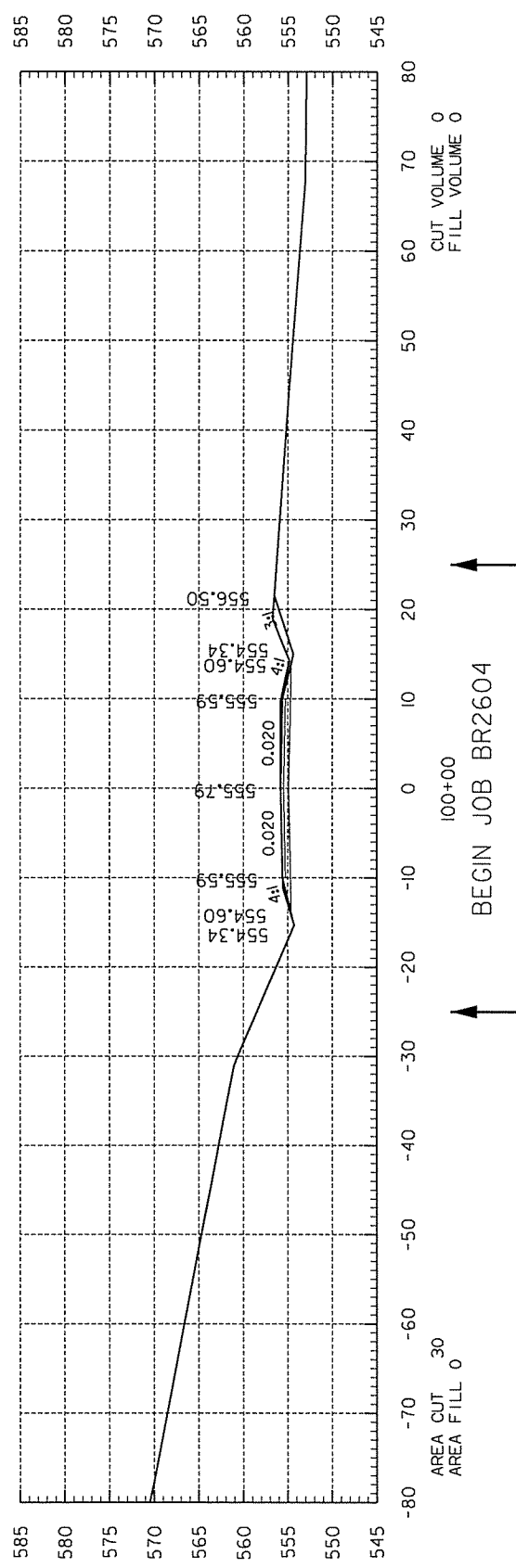
ARKANSAS STATE HIGHWAY COMMISSION

WIRE FENCE
 TYPE C AND D

STANDARD DRAWING WF-4

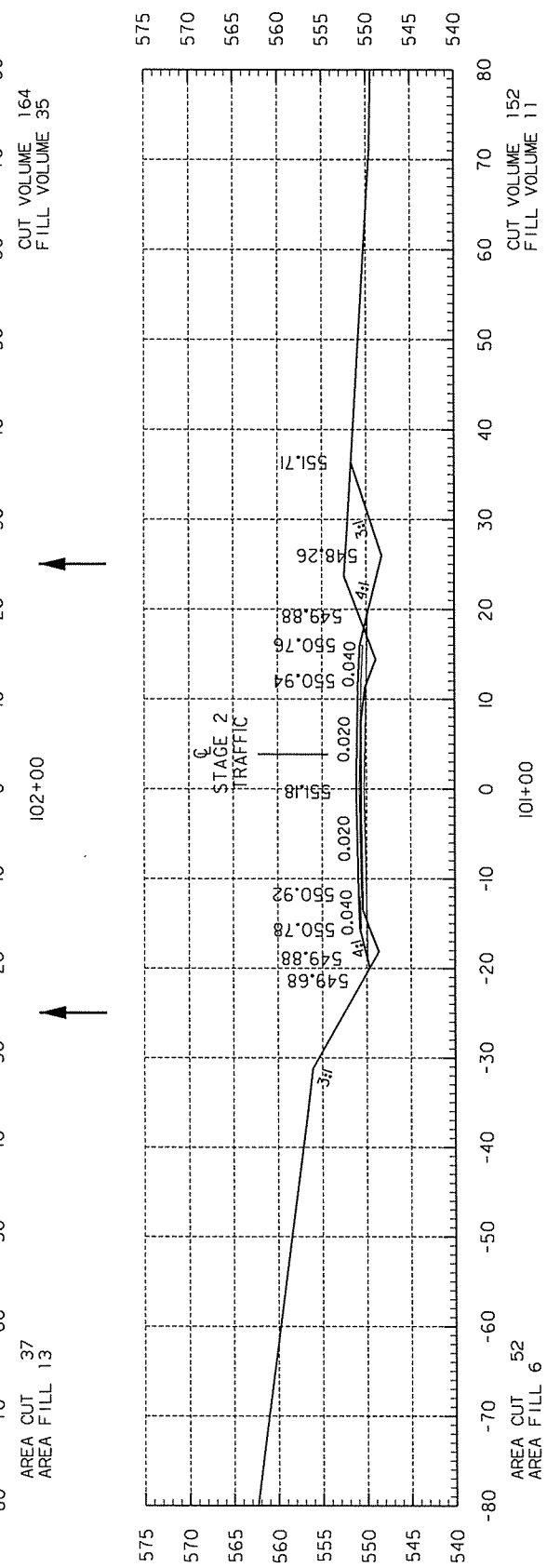
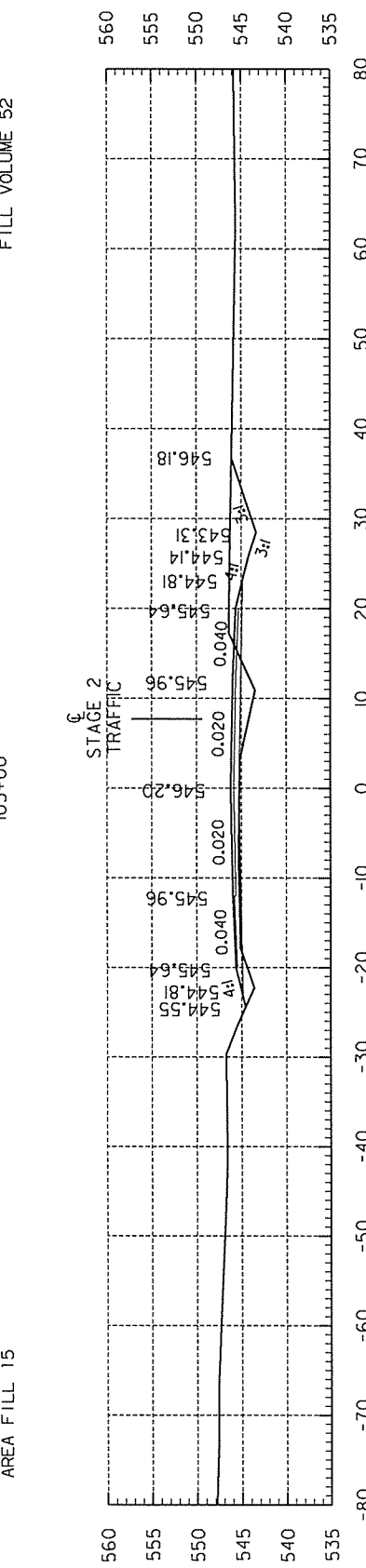
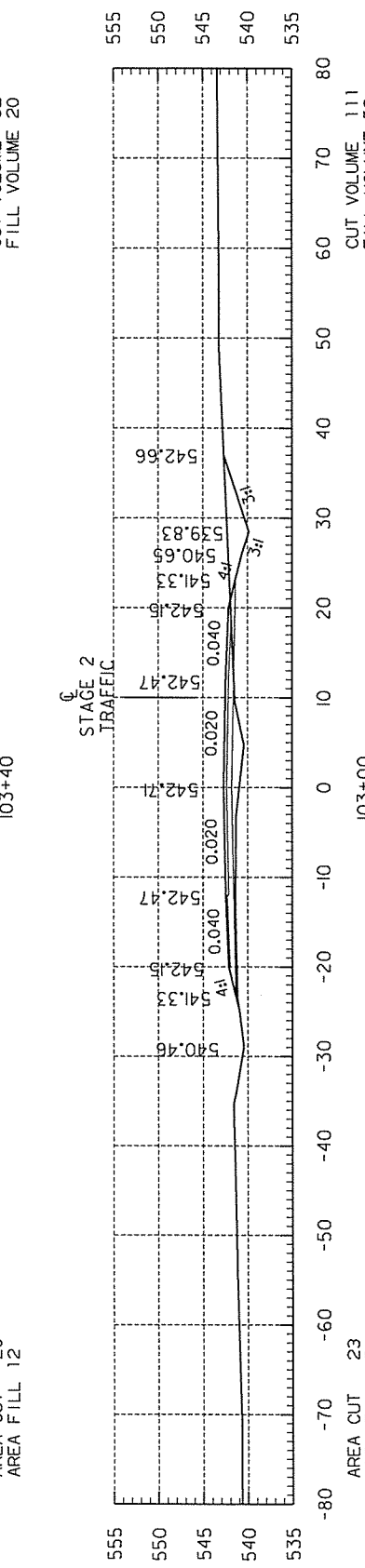
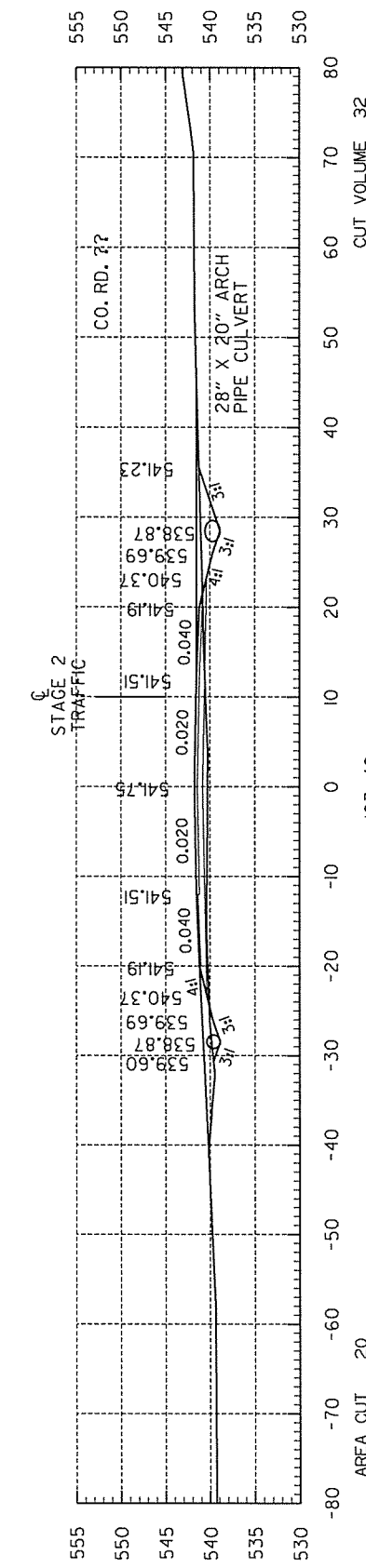
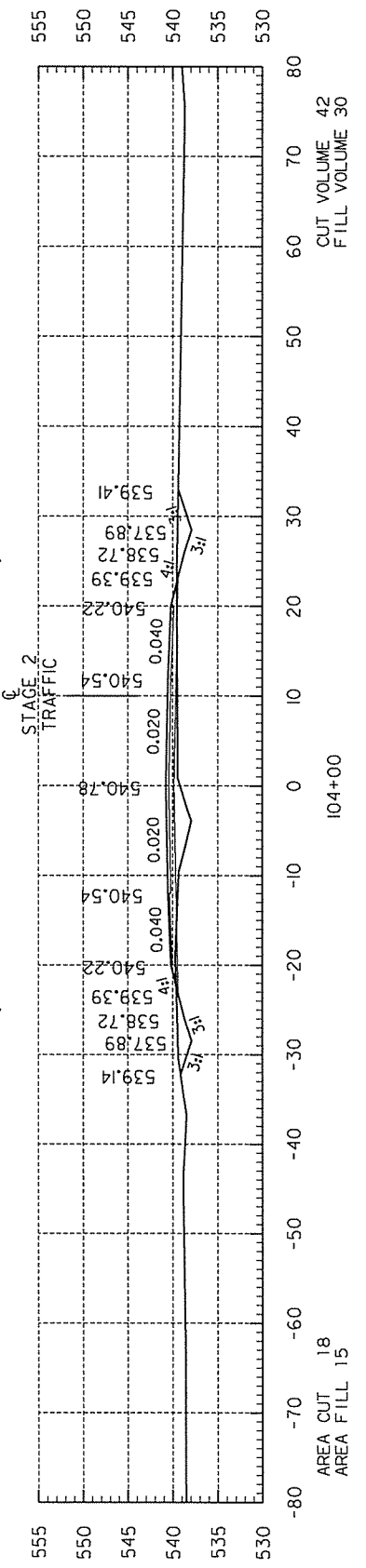
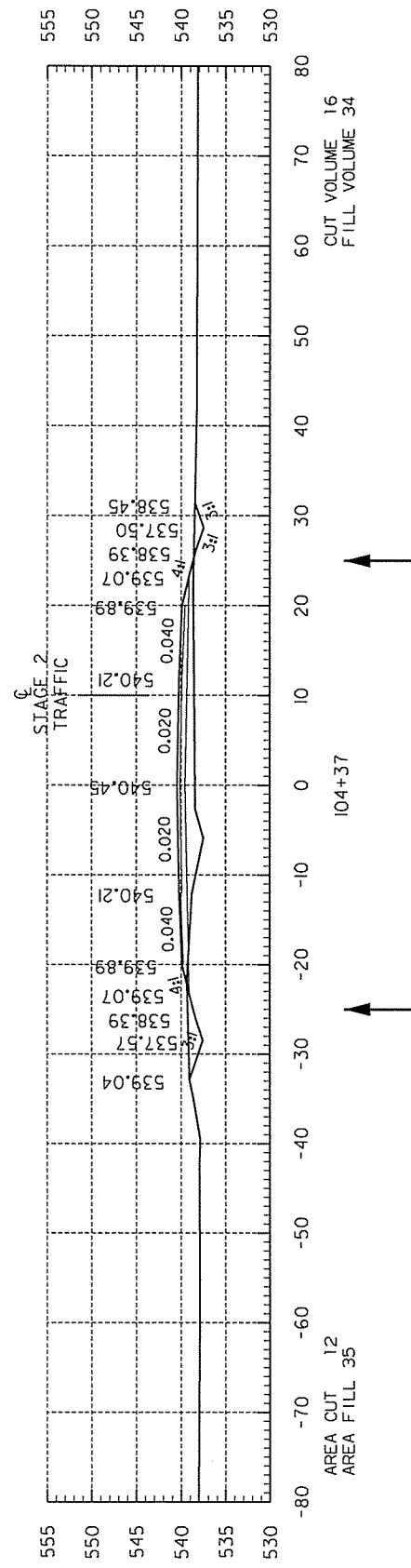
DATE REVISED	DATE FILMED	DATE REVISED	DATE FILMED	FED. RD. DIST. NO.	STATE	FED. AID PROJ. NO.	SHEET NO.	TOTAL SHEETS
				6	ARK.			
				JOB NO.	BR2604		47	52

④ STA. 95+00 - STA.100+00



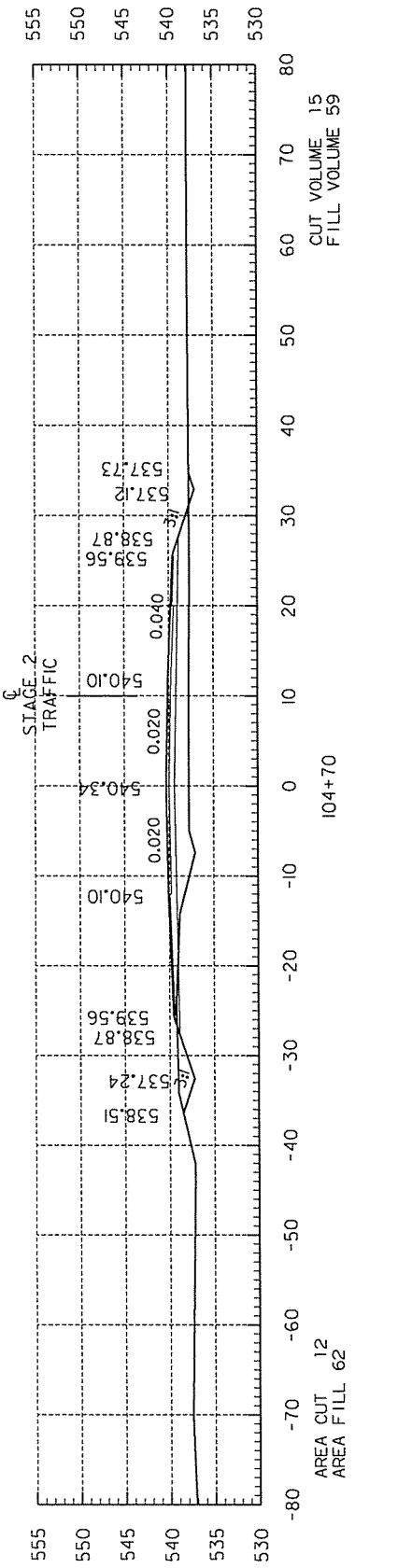
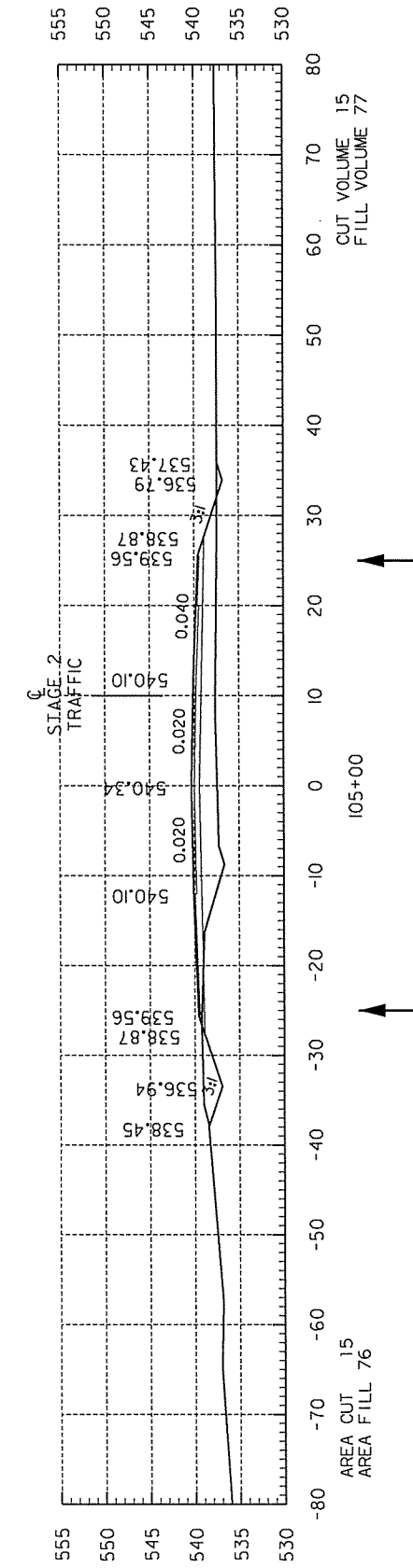
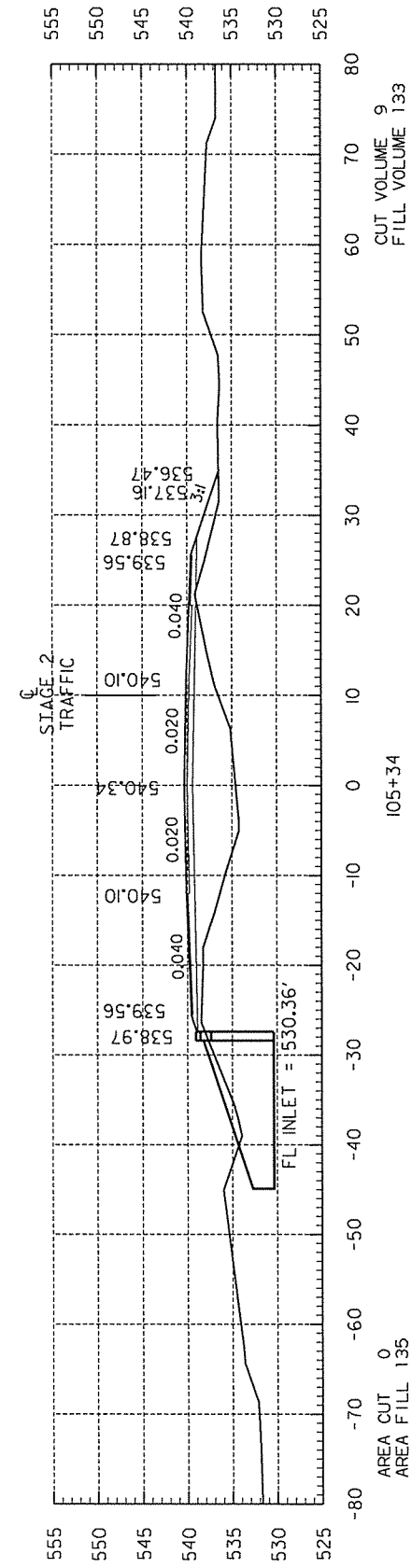
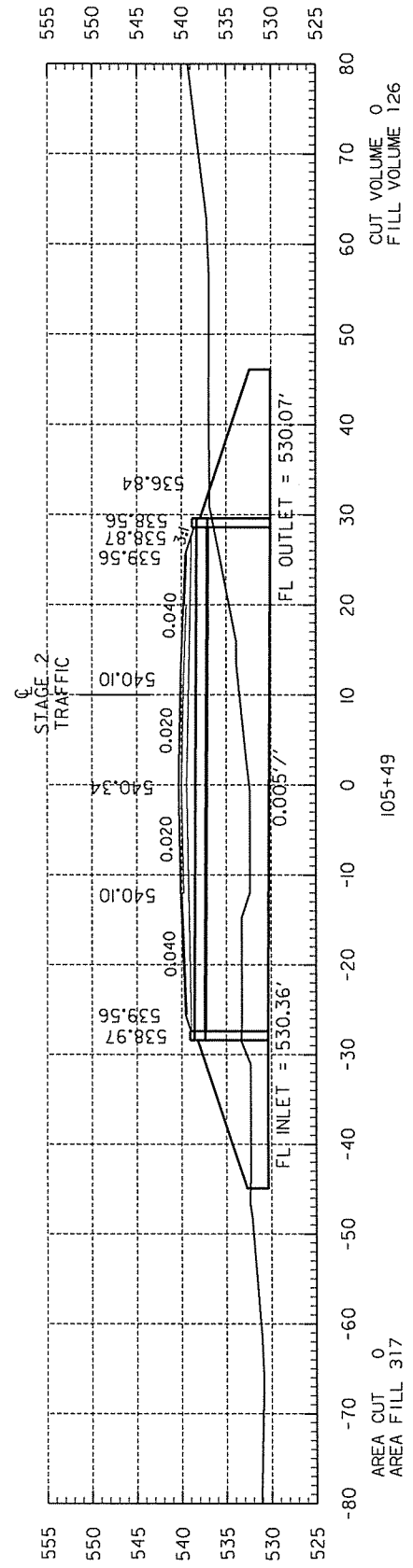
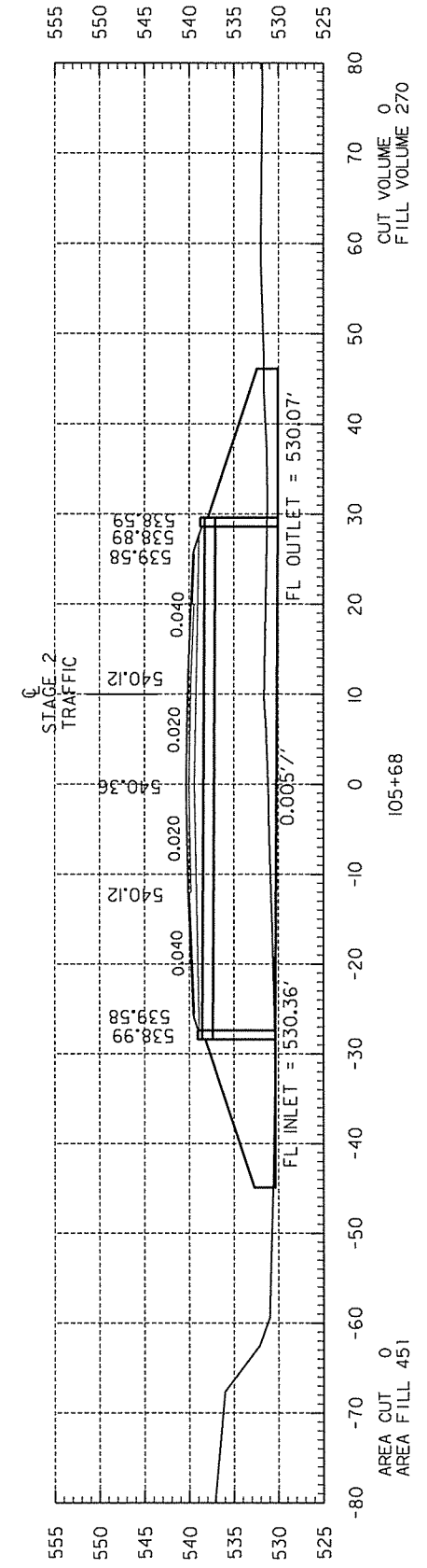
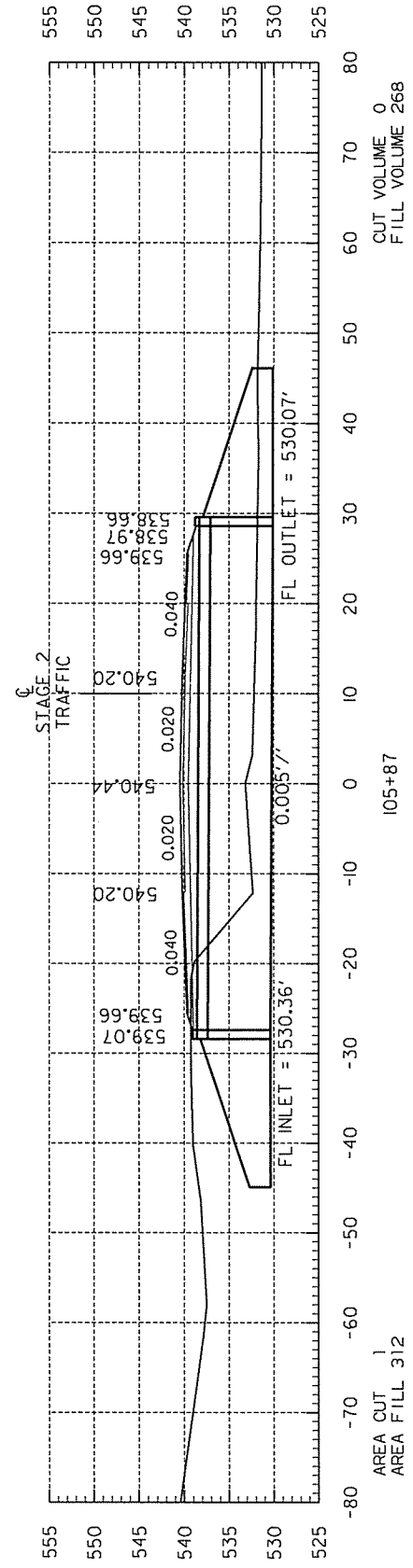
STA. 95+00 - STA.100+00

DATE REVISED	DATE FILMED	DATE REVISED	DATE FILMED	FED. RD. DIST. NO.	STATE	FED. AID PROJ. NO.	SHEET NO.	TOTAL SHEETS
				6	ARK.			
				JOB NO.	BR2604		48	52
				(4) STA. 101+00 - STA. 104+37				



NOTE: NORMAL COMPACTED EMBANKMENT HAS BEEN REDUCED BY 629 CU. YDS. WHERE FILL WILL NOT BE PLACED WITHIN THE LIMITS OF THE BOX CULVERT.

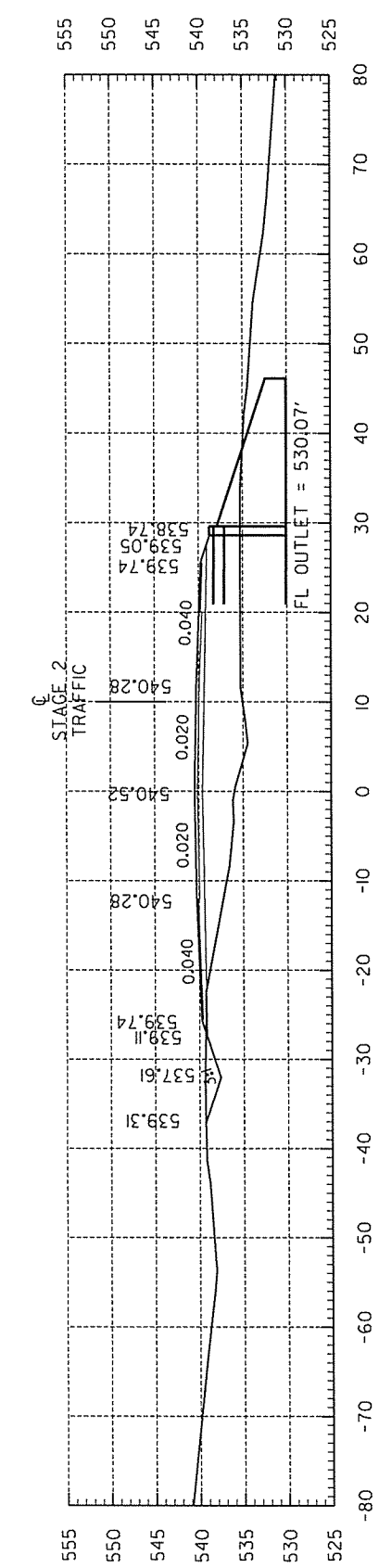
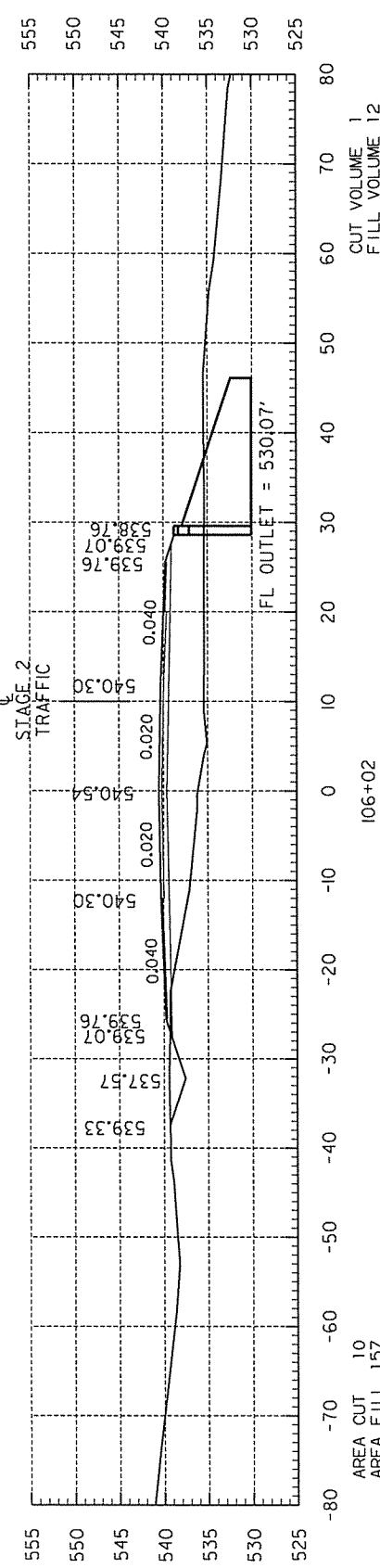
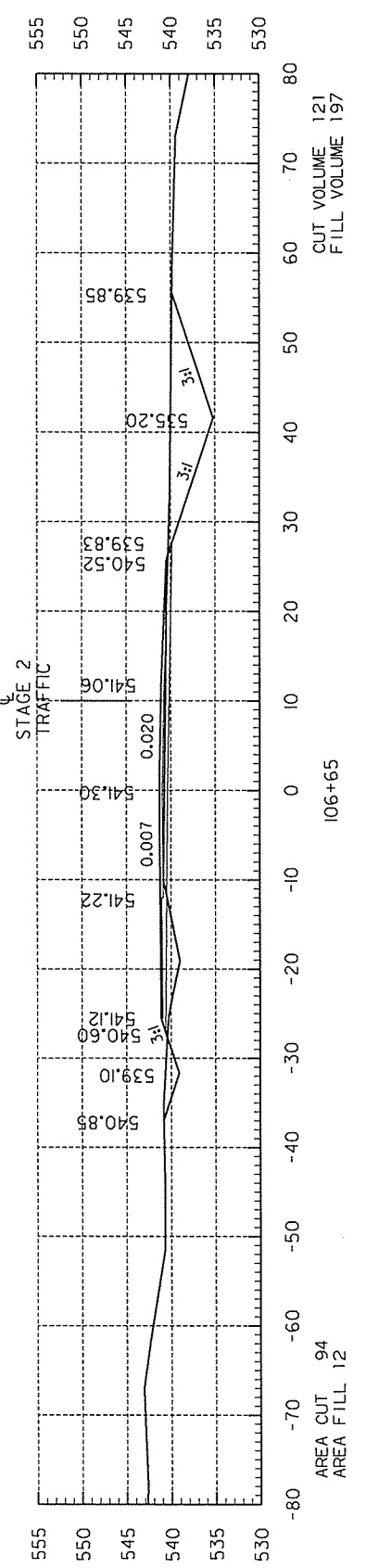
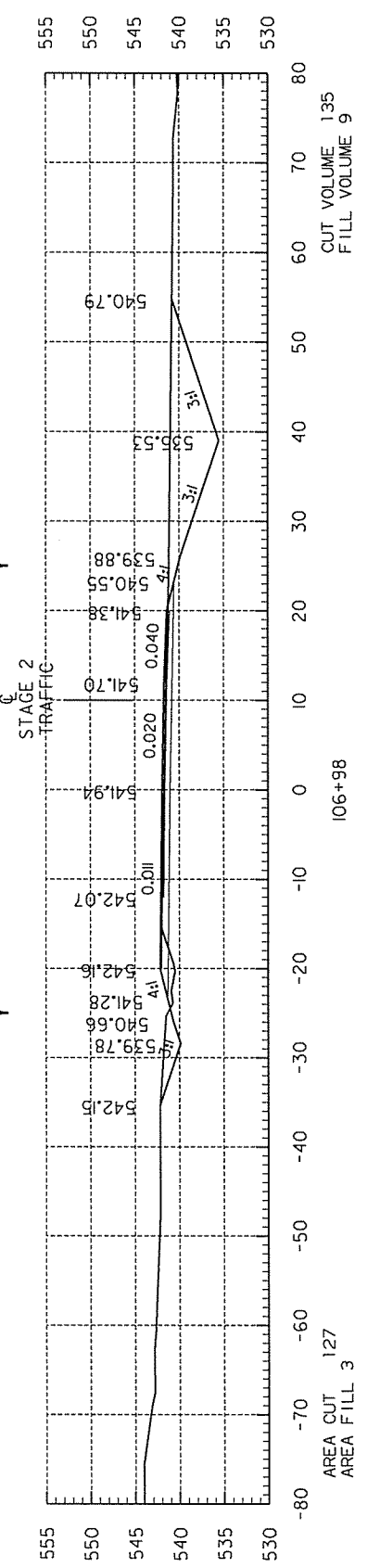
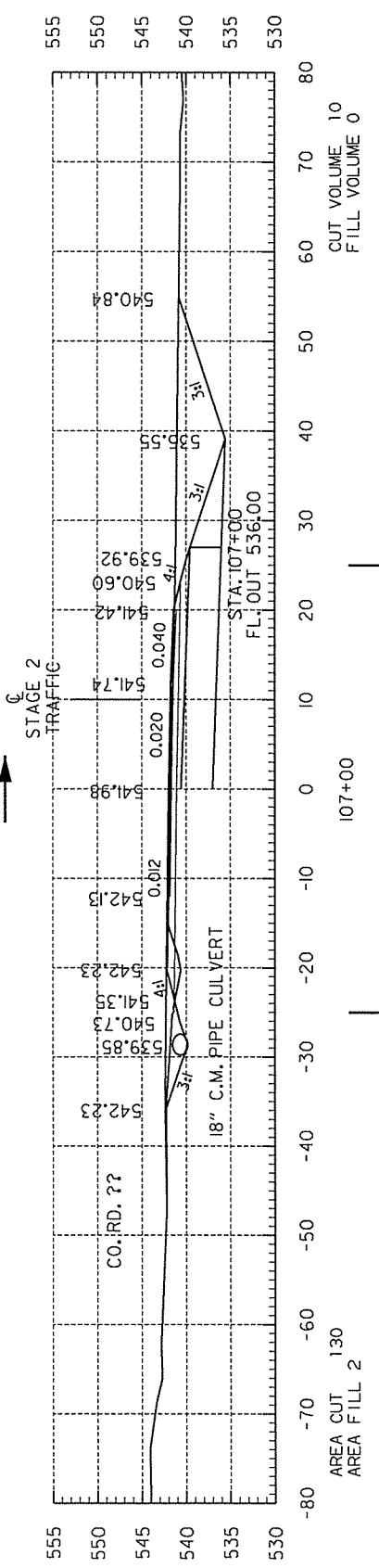
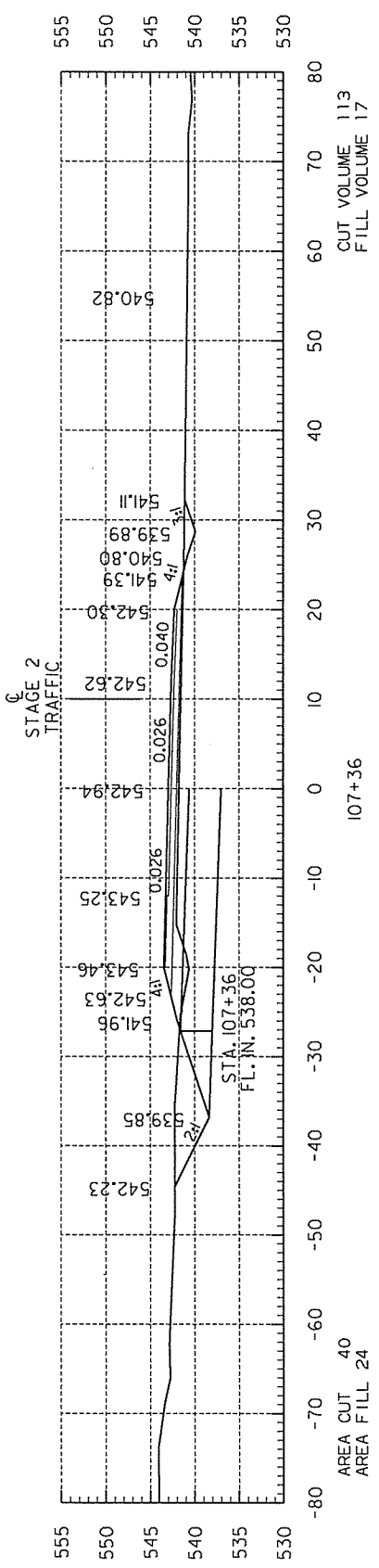
NOTE: CHANNEL EXCAVATION = 173 CU. YDS.
BOX CULVERT EXCAVATION = 773 CU. YDS.
BOX CULVERT BACKFILL = 383 CU. YDS.



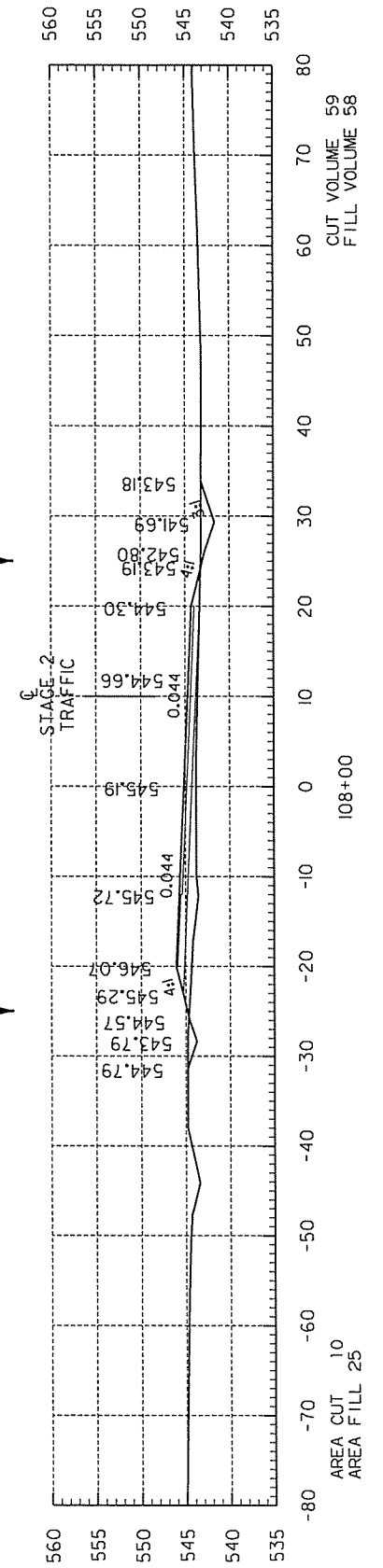
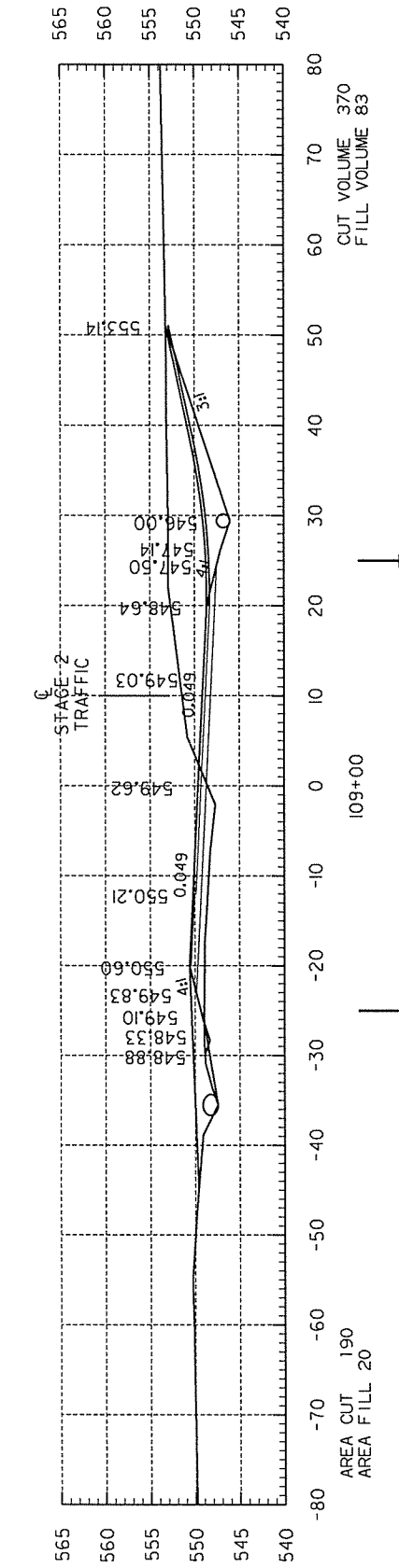
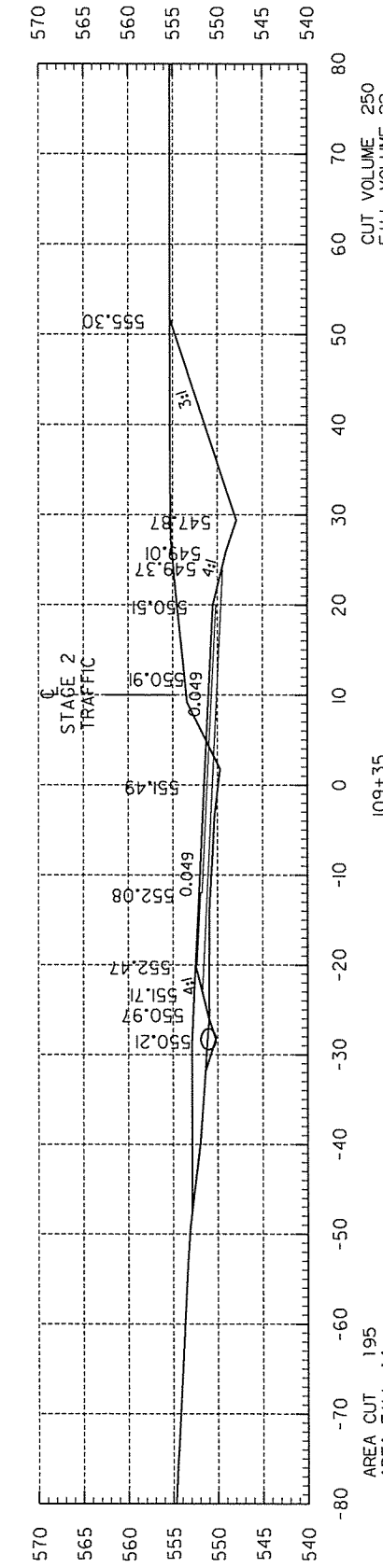
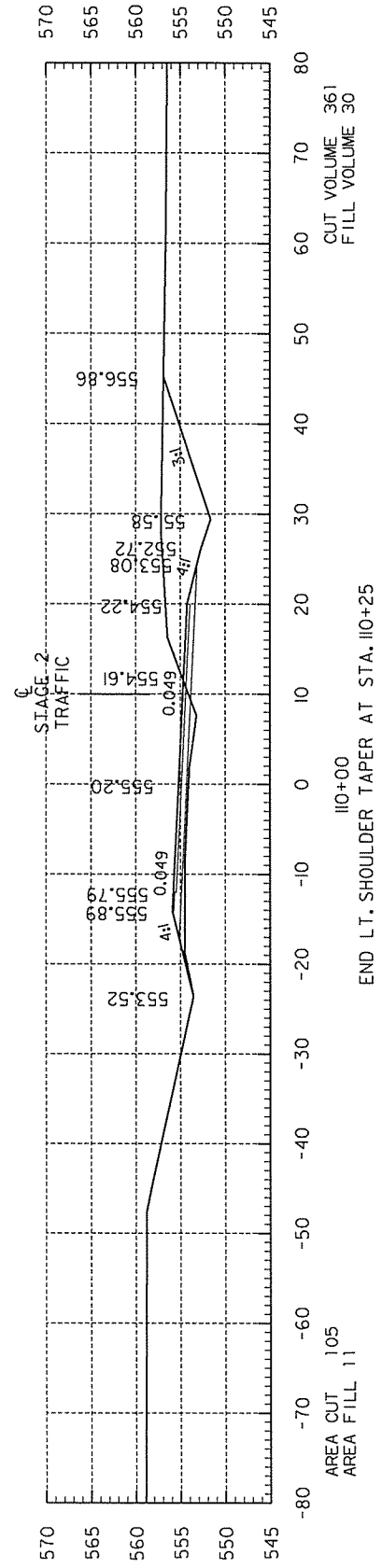
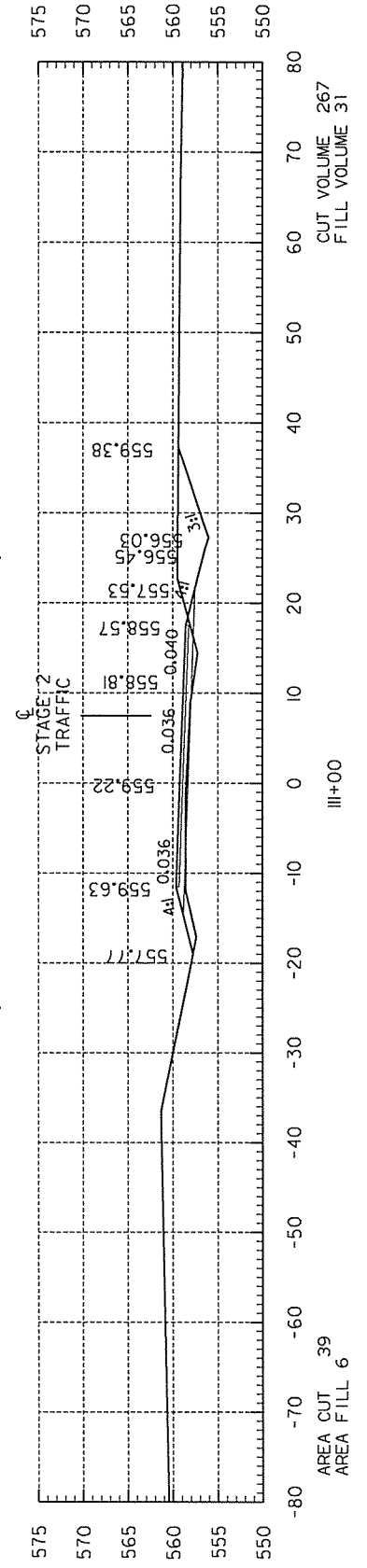
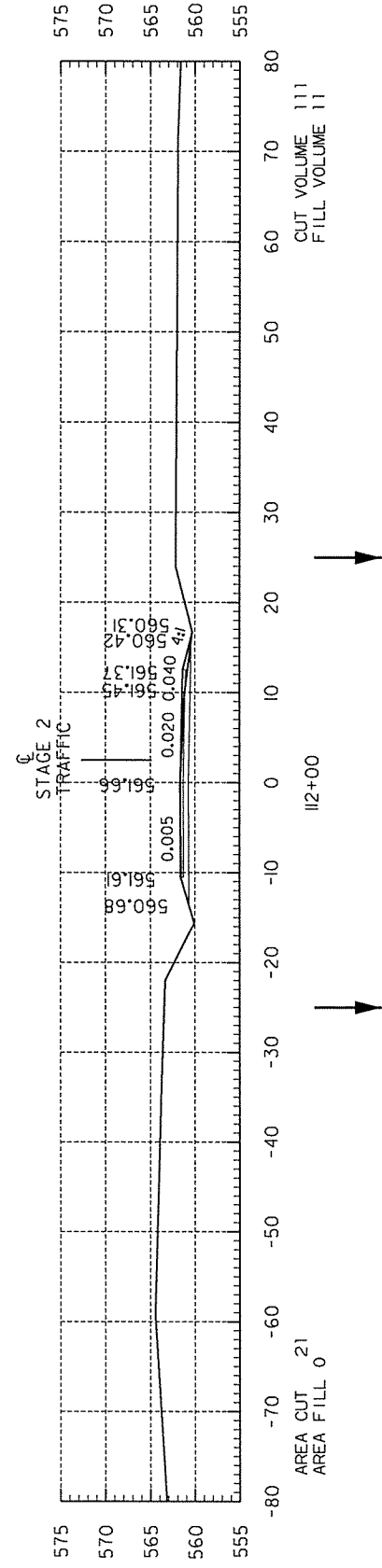
STA. 104+70 - STA. 105+87

DATE REVISED	DATE FILMED	DATE REVISED	DATE FILMED	FED. RD. DIST. NO.	STATE	FED. AID PROJ. NO.	SHEET NO.	TOTAL SHEETS
				6	ARK.		49	52
				JOB NO.		BR2604	49	52
				④ STA. 104+70 - STA. 105+87				

DATE REVISED	DATE FILMED	DATE REVISED	DATE FILMED	FED. RD. DIST. NO.	STATE	FED. AID PROJ. NO.	SHEET NO.	TOTAL SHEETS
				6	ARK.		50	52
				JOB NO.		BR2604	50	52
				STA. 106+00 - STA. 107+36				

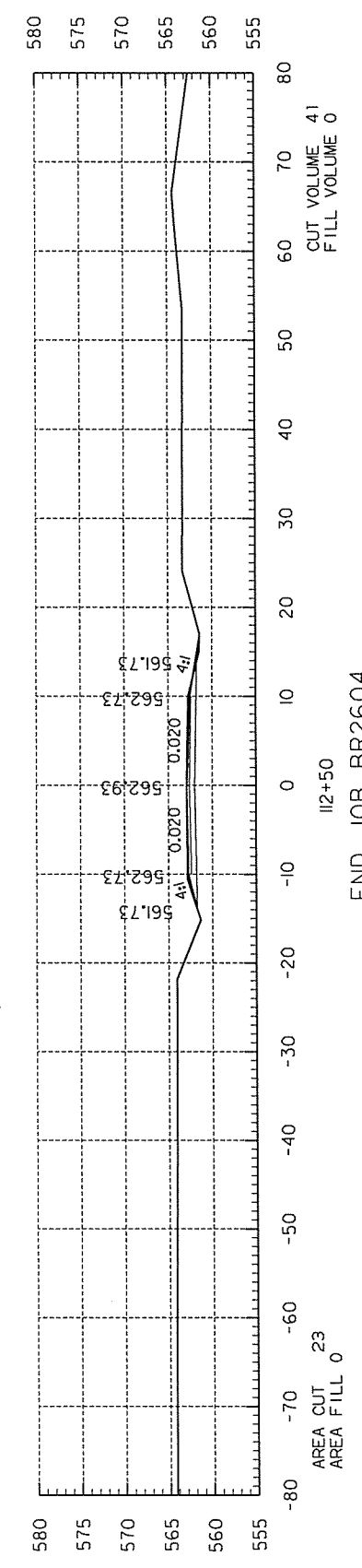
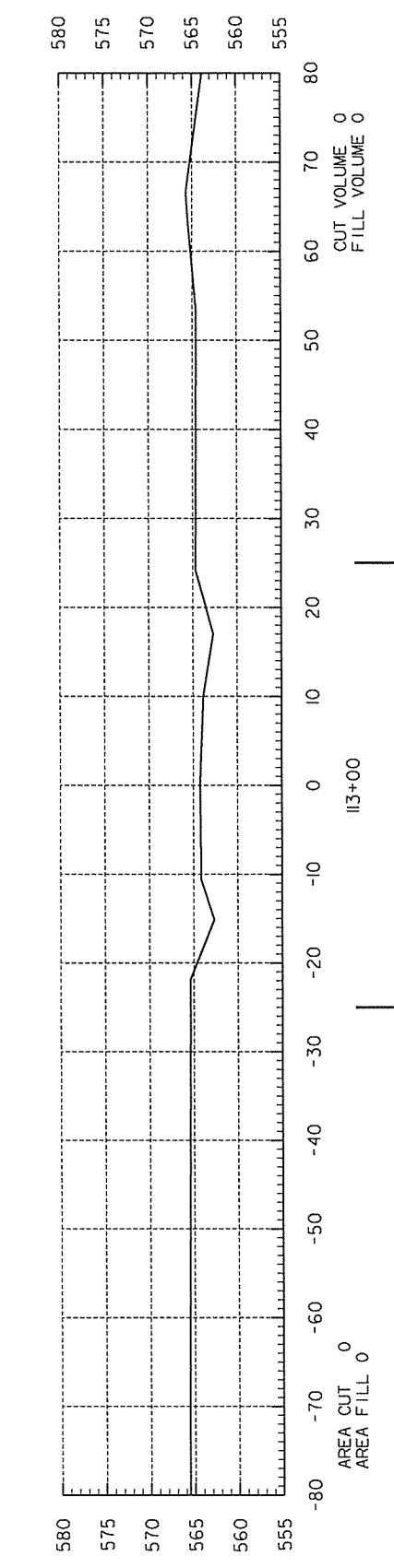
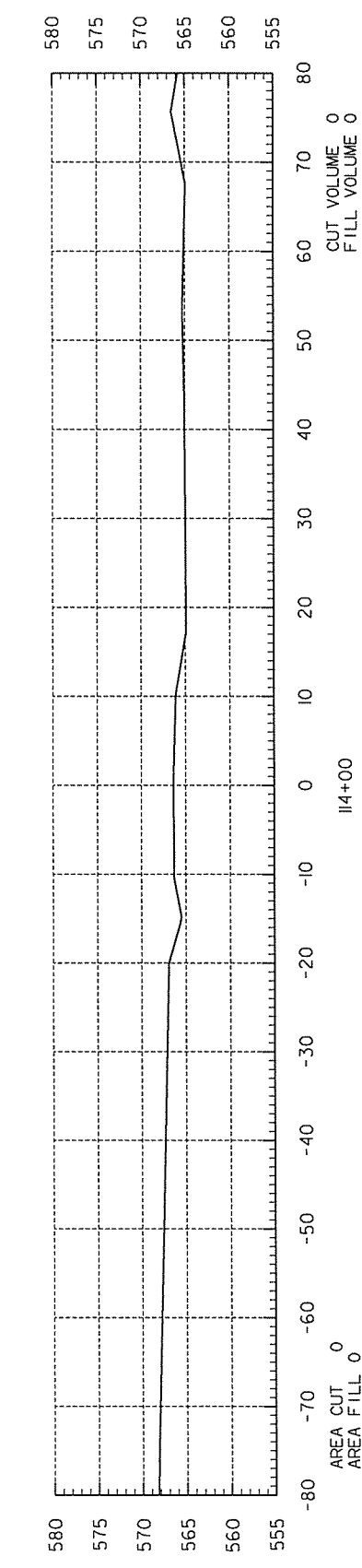
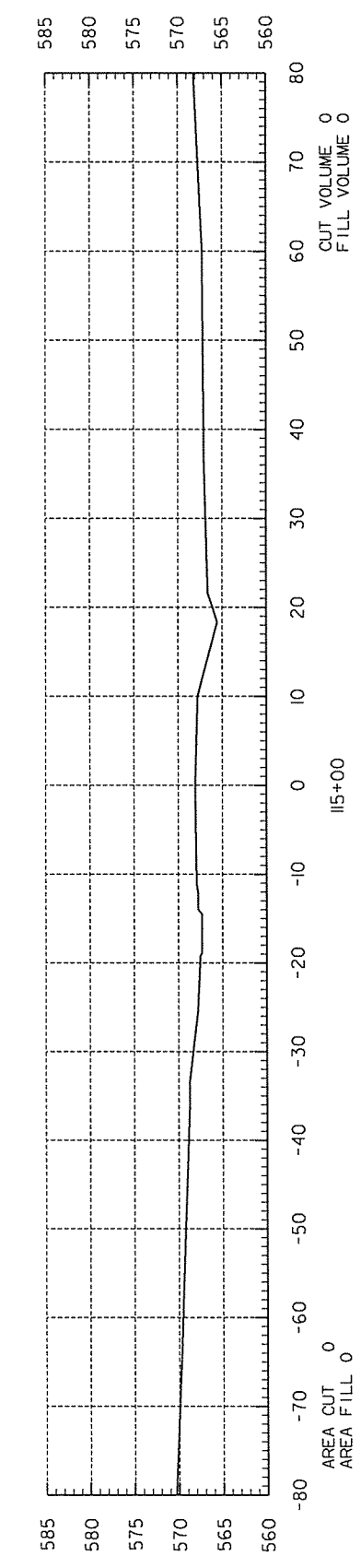
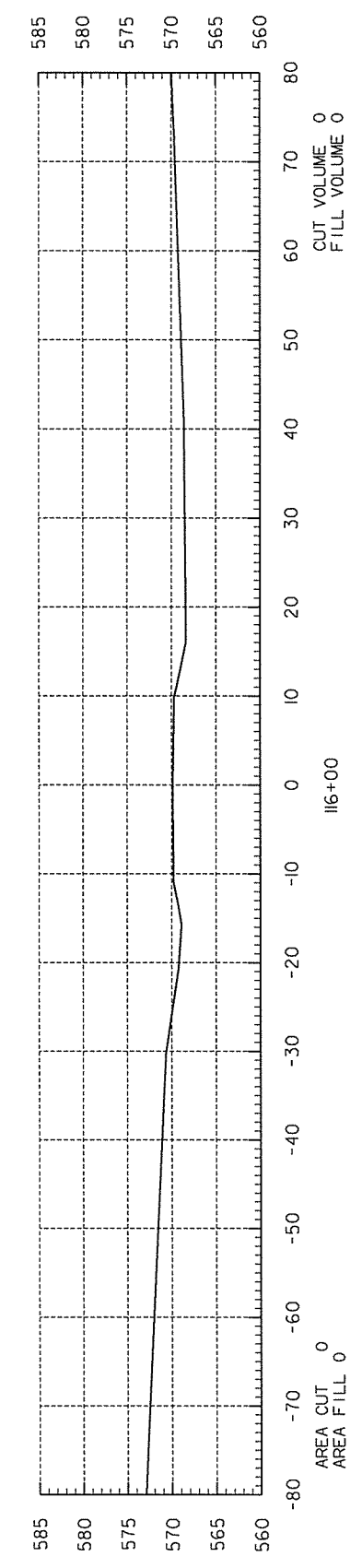
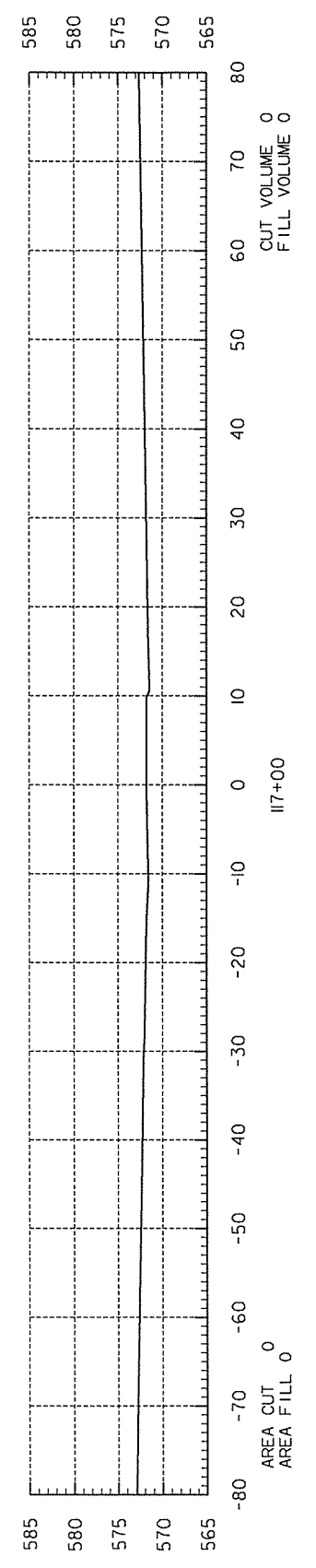


DATE REVISED	DATE FILMED	DATE REVISED	DATE FILMED	FED. RD. DIST. NO.	STATE	FED. AID PROJ. NO.	SHEET NO.	TOTAL SHEETS
				6	ARK.			
				JOB NO.	BR2604		51	52
				④ STA. 108+00 - STA. 112+00				



DATE REVISED	DATE FILMED	DATE REVISED	DATE FILMED	FED. RD. DIST. NO.	STATE	FED. AID PROJ. NO.	SHEET NO.	TOTAL SHEETS
				6	ARK.			
				JOB NO.	BR2604		52	52

④ STA. 112+50 - STA. 117+00



STA. 112+50 - STA. 117+00

END JOB BR2604