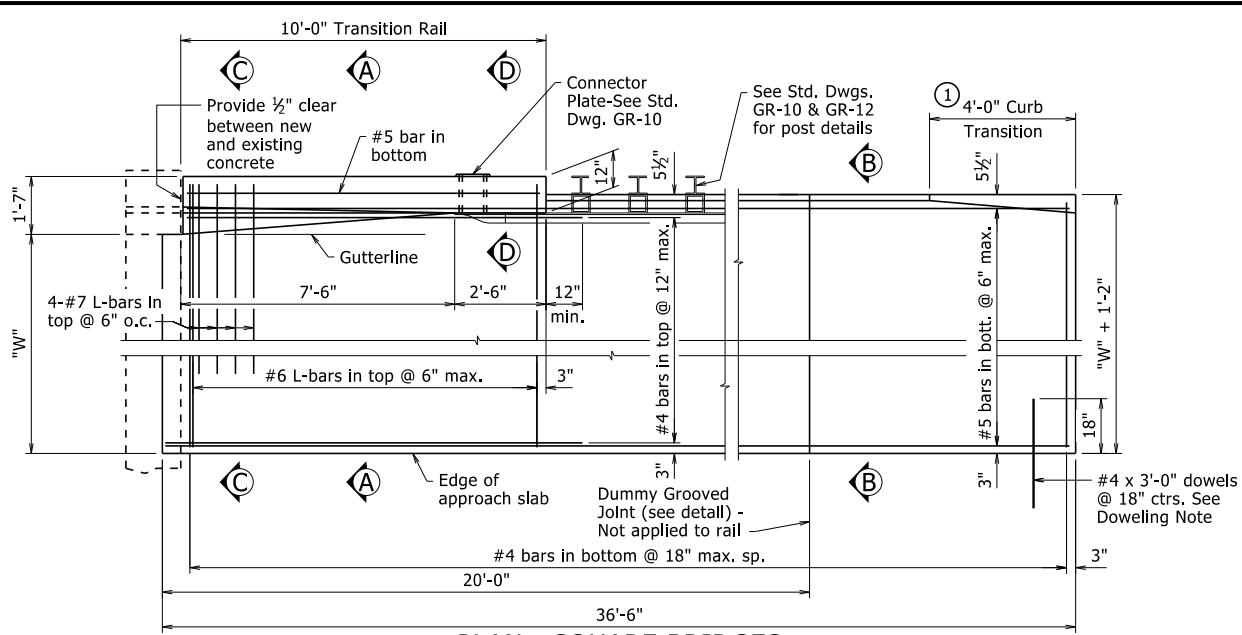
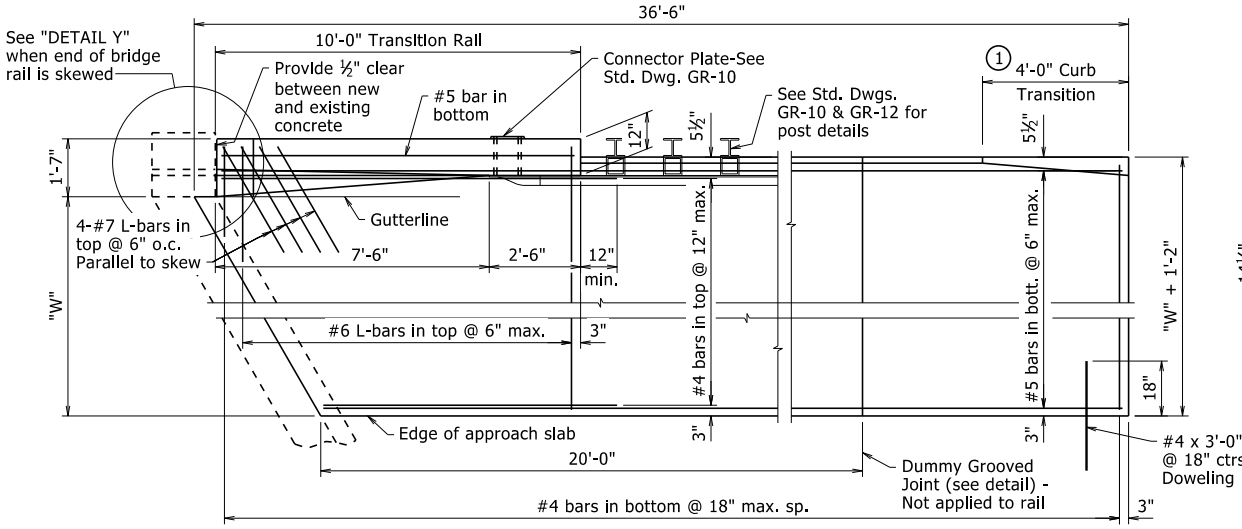


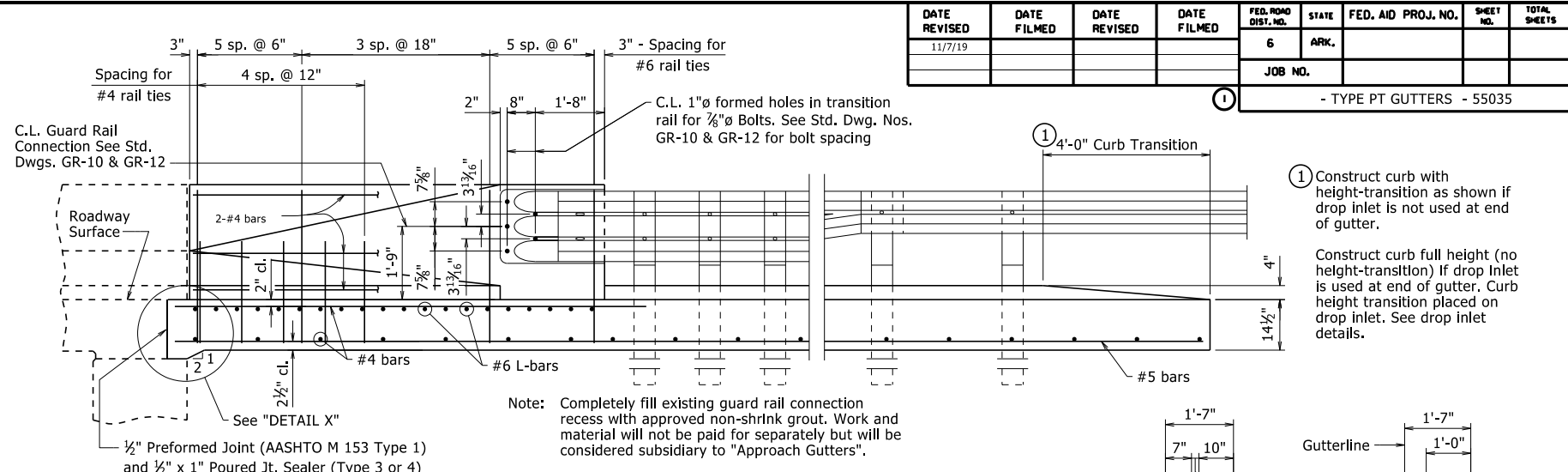
DATE REVISED	DATE FILMED	DATE REVISED	DATE FILMED	FED. ROAD DIST. NO.	STATE	FED. AID PROJ. NO.	SHEET NO.	TOTAL SHEETS
11/7/19				6	ARK.			
				JOB NO.		- TYPE PT GUTTERS - 55035		



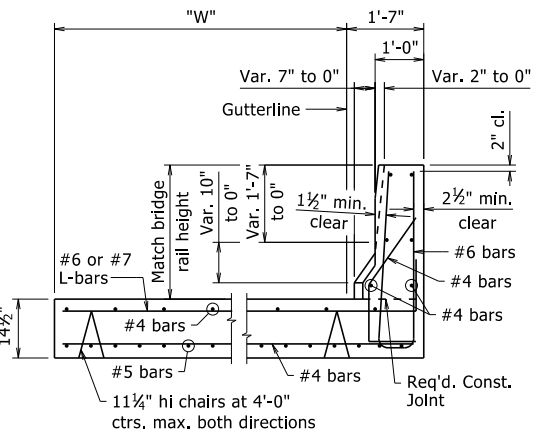
PLAN - SQUARE BRIDGES
3/8" = 1'-0"



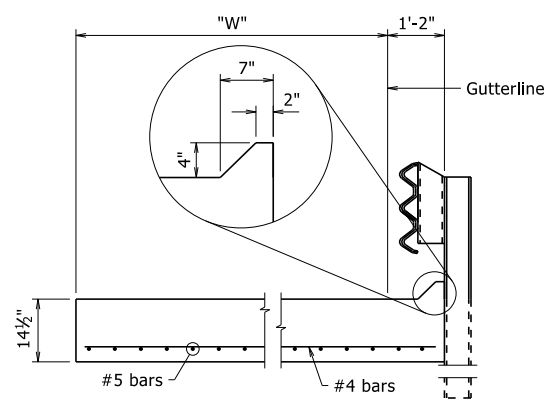
PLAN - SKEWED BRIDGES
3/8" = 1'-0"



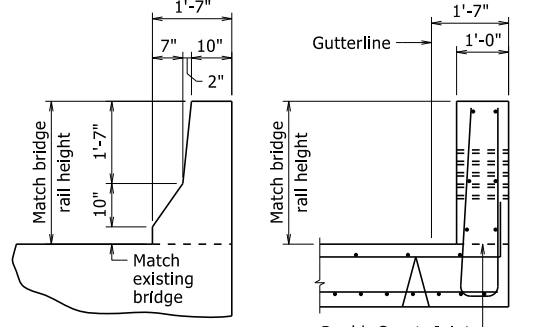
LONGITUDINAL SECTION THRU GUTTER
1/2" = 1'-0"



SECTION A-A
1/2" = 1'-0"

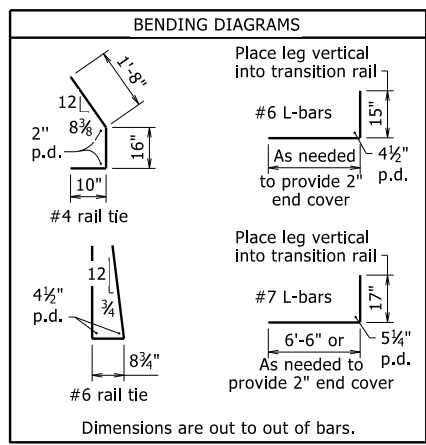


SECTION B-B
1/2" = 1'-0"

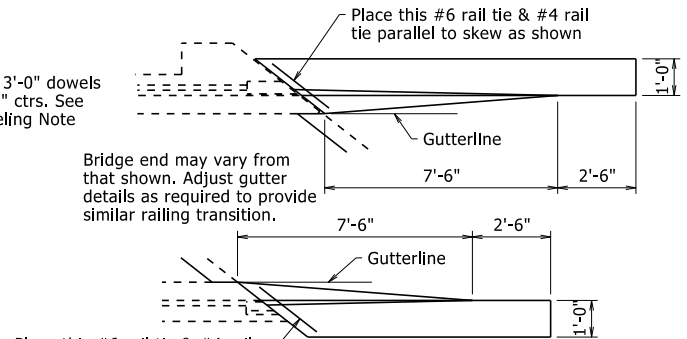


SECTION C-C
At End of Transition Rail
1/2" = 1'-0"

SECTION D-D
1/2" = 1'-0"

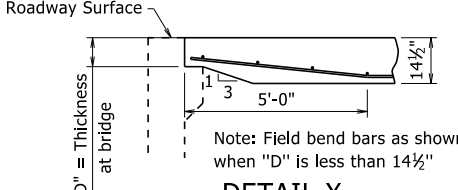


Revised and Redrawn. By: TMG
Checked By: CRE 11/7/2019



DETAIL Y
No Scale

DOWELING NOTES
If new approach slab is used: Place dowels into approach slab using 18" embedment.
If existing approach slab is retained: Dowels shall be drilled and grouted 18" into existing slab. At the Contractor's option, existing dowels may be retained, cleaned and incorporated into new gutters. Work for drilling and grouting, or retaining and cleaning will not be paid for separately but will be considered subsidiary to "Approach Gutters".
Dowel bars, if required, will not be paid for separately, but will be considered subsidiary to other pay items.



DETAIL X
3/8" = 1'-0"

This document was originally issued and sealed by Charles R. Ellis, PE No. 9235, on November 7, 2019. This copy is not a signed and sealed document.

GENERAL NOTES
Concrete shall be Class S or S(AE) or mixture used for Portland Cement Concrete Pavement.
Reinforcing steel shall be Grade 60 (fy = 60,000 psi.) conforming to AASHTO M 31 or M 322, Type A, with mill test reports. Fabricate bar lengths to provide 2" minimum cover at each end.
Approach gutters will be measured and paid for in accordance with Section 504.
Preformed Joint and Poured Joint Sealer included in the item "Approach Gutters".
All longitudinal lines within the limits of horizontal curves shall be on curves concentric to C.L. Bridge. Adjustment to longitudinal bar lengths may be required. Transverse reinforcing shall be placed on radial lines to C.L. Bridge.
When this Standard Drawing is used as a retrofit for an existing bridge and an existing drop inlet is located within the Plan of the approach gutter, adjust the reinforcing as needed to facilitate construction of the approach gutter, unless otherwise noted.

APPROX. QUANTITIES FOR ONE SQUARE 36'-6" APPROACH GUTTER
(For Information Only)

Concrete (cu. yd.)	("W" x 1.63) + 3.24
Reinforcing Steel (lb.)	("W" x 129) + 461

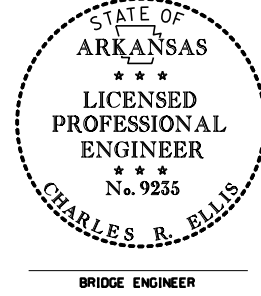
Variables: Units of "W" and "L" are in feet.

"W" = Distance from gutterline to edge of shoulder or edge of approach slab. "W" shall not be less than 3'-0" unless approach gutter is doweled into an approach slab or concrete pavement.

STANDARD DETAILS FOR TYPE 'PT' APPROACH GUTTERS (BRIDGES WITH CONCRETE PARAPET RAILING)
ROUTE _____ SEC. _____
ARKANSAS STATE HIGHWAY COMMISSION
LITTLE ROCK, ARK.

DRAWN BY: KDH DATE: 2/27/2014 FILENAME: b55035.dgn
CHECKED BY: KWKY DATE: 2/27/2014 SCALE: AS NOTED
DESIGNED BY: STD DATE: -

DRAWING NO. 55035



BRIDGE ENGINEER

PRINT DATE: 11/20/2019

DUMMY GROOVED JOINT
No Scale