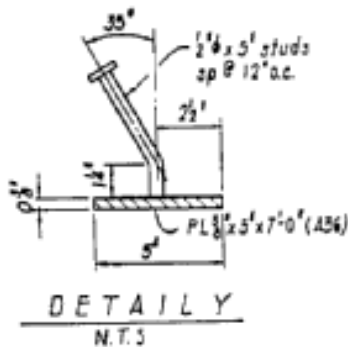


The surfaces of the 3/8" plates which will not be in contact with concrete shall be painted in accordance with Section 638, or as approved by the Engineer. Only one prime coat is required where multiple coats are specified. All coats shall be applied in the fabricator's shop. Painting will not be paid for directly, but will be considered subsidiary to Structural Steel or Class S(AE) Concrete.



March 23, 1992, effective immediately, the note for painting plates above drainage shot shall be as above.

NOT RECORDED