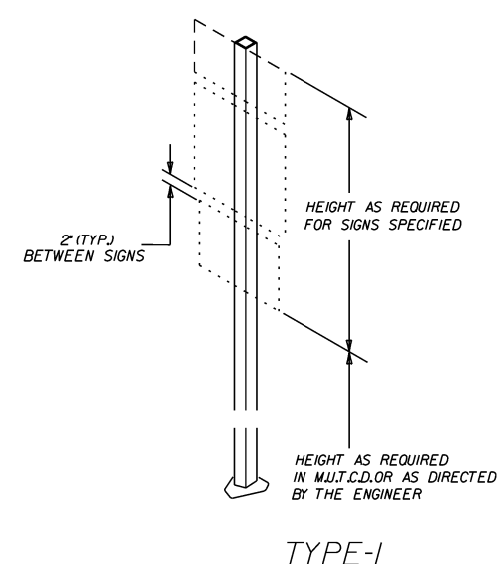
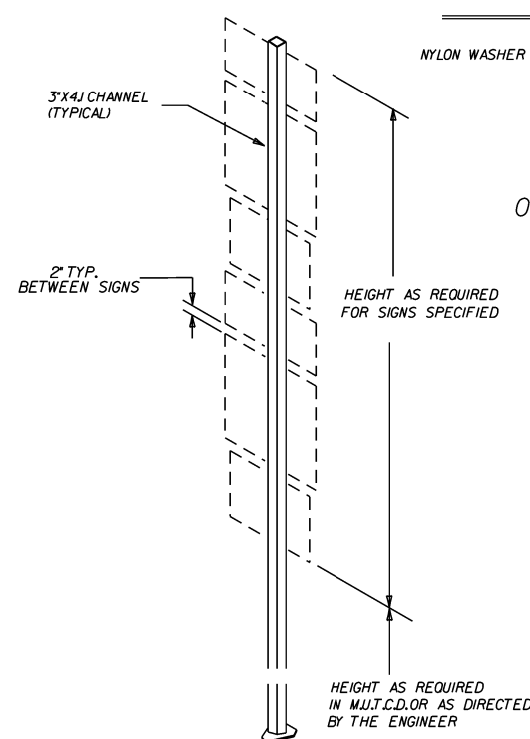


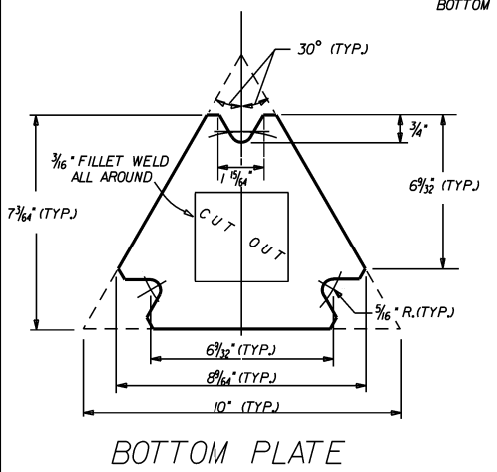
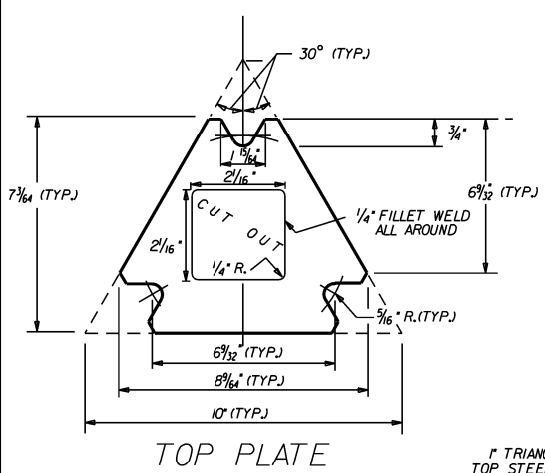
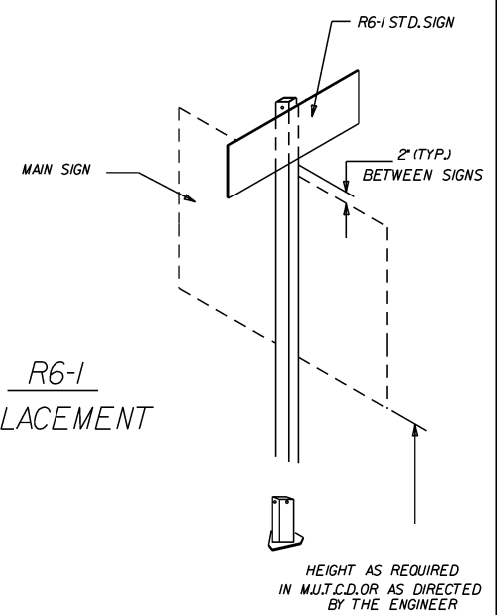
MOUNTING HARDWARE



TYPE-1

BASIS OF ESTIMATE APPROX. 100 lbs STEEL

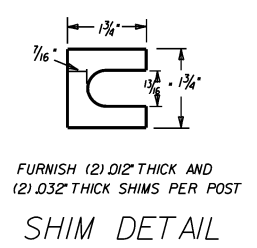
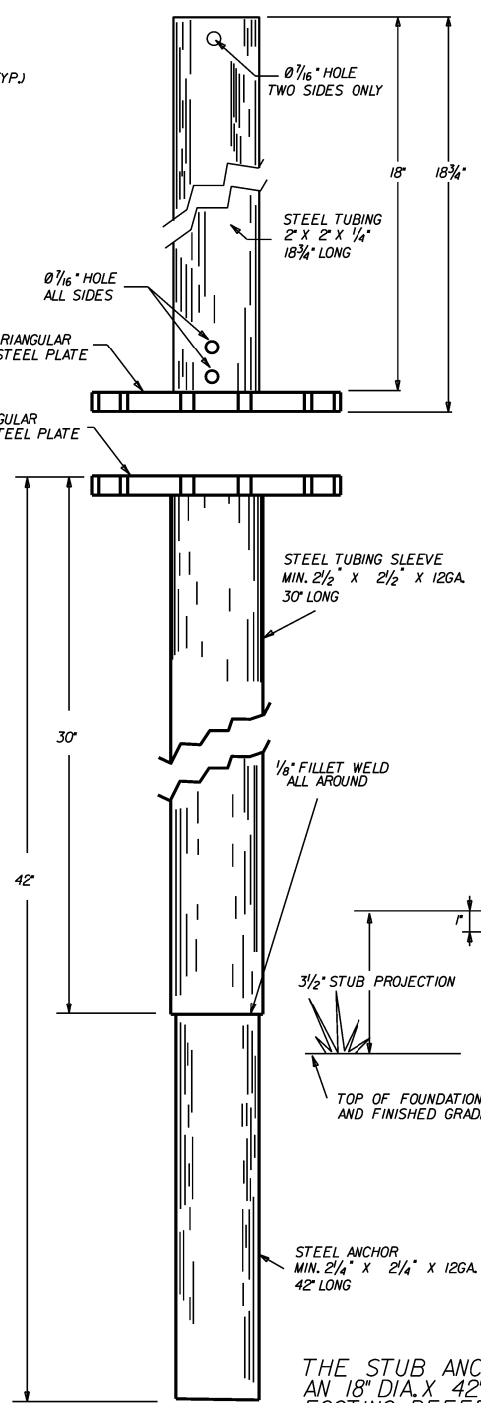
R6-1 PLACEMENT



GENERAL NOTES:
THE TOP PLATE OF TRIANGULAR SLIP BASES SHALL HAVE THE SAME EXTERIOR DIMENSIONS AS THE BOTTOM PLATE.

INSIDE DIAMETER OF THE SIGN POST SHALL BE CUT THROUGH THE CENTER OF THE TOP PLATE WITH THE HOLE EDGE BEVELED AS SHOWN. THE BEVEL END SHALL BE TANGENT TO THE BOLT HOLE. ANY MISALIGNMENT SHALL BE REMOVED BY GRINDING. FACE OF BEVEL SHALL BE FINISHED TO A MINIMUM SMOOTHNESS OF 1-500.

OTHER MASH COMPLIANT BREAKAWAY SIGN SUPPORTS THAT HAVE THE SAME TOP PLATE DIMENSIONS AND SUPPORT 2 1/4" X 2 1/4" SQUARE TUBE SIGN POSTS MAY BE SUBSTITUTED AS APPROVED BY THE ENGINEER.



FURNISH (2) .012" THICK AND (2) .032" THICK SHIMS PER POST

ARKANSAS STATE HIGHWAY COMMISSION			
DETAIL OF OMNI-DIRECTIONAL BREAKAWAY SIGN SUPPORTS			
STANDARD DRAWING SHS-7			
9-12-13	ISSUED	REVISION	FILMED
DATE			